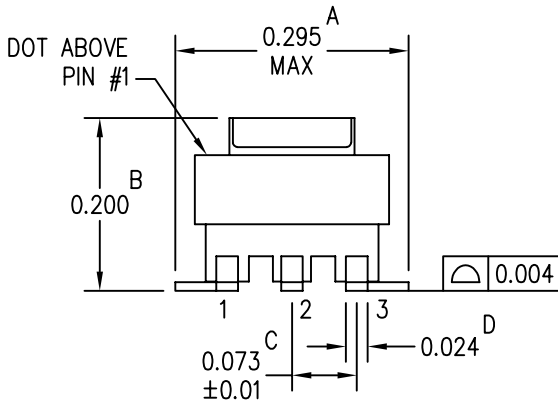




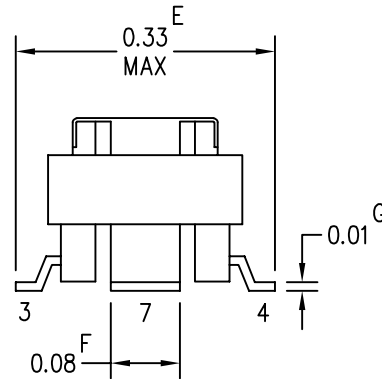
RENCO ELECTRONICS, INC.
A STANDEX ELECTRONICS COMPANY

595 INTERNATIONAL PL. ROCKLEDGE, FL 32955
 ph. 321-637-1000 fax 321-637-1600
 www.rencousa.com / www.standexelectronics.com <> email: engineering@rencousa.com

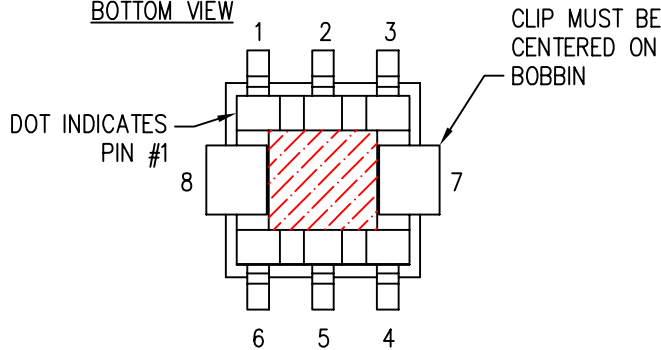
FRONT VIEW



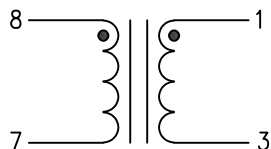
SIDE VIEW



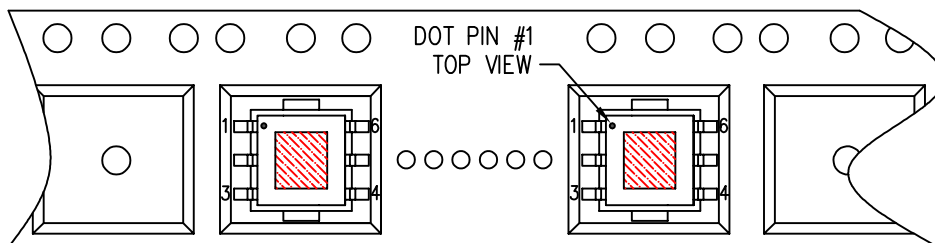
BOTTOM VIEW



SCHMATIC



I & R INSPECTION



ELECTRICAL TEST PARAMETERS:

INDUCTANCE @ 100kHz/0.1VAC
 L(1-3)=1.75mH MIN

DC RESISTANCE OHMS (Ω) @ 25°C
 DCR: (1-3)=5.50Ω MAX
 (8-7)=0.005Ω MAX

HIPOT

APPLY: 500VAC @ 60Hz FOR 2 SEC, 1mA MAX
 BTWN 1 TO 8

COURTESY DRAWING

FILE NAME

RL-11385

-TOLERANCES-		CUSTOMER NAME		THIS COURTESY PRINT IS PROPRIETARY AND CONFIDENTIAL NO PART OF THIS COURTESY PRINT MAY BE DISCLOSED TO A THIRD PARTY WITHOUT PRIOR WRITTEN CONSENT FROM RENCO ELECTRONICS INC.	
UNLESS OTHERWISE SPECIFIED DIMENSIONS ARE IN INCHES		DIGI-KEY			
.XX=±	0.03	DESCRIPTION			
.XXX=±	0.015	CURRENT SENSOR			
ANGULAR=±	3°	MANAGER CONTACT	DWN BY		
FRACTIONAL=±	1/16"	G. JONES	A. LECZNAR	THIS DOCUMENT IS FOR REFERENCE ONLY	
		DATE	SCALE	RoHS COMPLIANT: YES <input checked="" type="checkbox"/> NO <input type="checkbox"/>	
		02/27/24	NTS	REV	PAGE
				ORIG	1 OF 1