

Data sheet
Labeling plate white

Page 1/4

P/N

820234-01-9

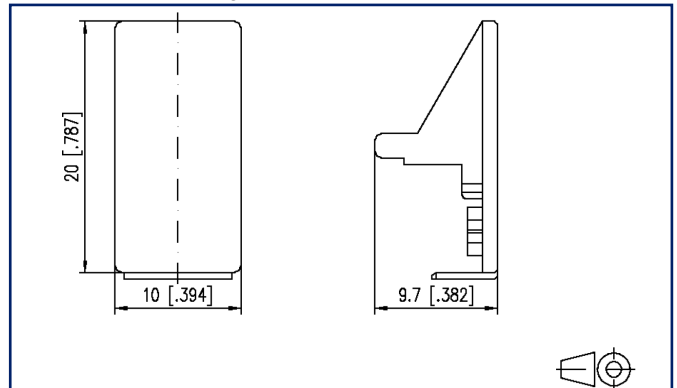
EAN 4250184119319

2024/10/25

Version: F

Illustrations

Dimensional drawing



See enlarged drawings at the end of document

Product specification

The labeling plate was designed especially for coupling modules with switch because the labeling cannot be attached to the coupling module due to the incorporated switch.

- Material: PA 66, flame retardant and self-extinguishing to UL-94-V2
- Not intended for marketing in North America



Technical Data

Material	
Color	white
Climatic Data	
Operating	
Relative humidity	max. 85 % non-condensing
Classifications	
ETIM 7.0	EC002617
ETIM 8.0	EC002617
ETIM 9.0	EC002617

Application note

This product is a standard product of METZ CONNECT. METZ CONNECT is not aware of the specific intended use of the goods by the Customer or any customers of the Customer. The Customer guarantees that it has fully and sufficiently tested the use of the goods and any product modifications, product changes or product enhancements with regard to the specific intended use in accordance with the state of the art or in any other way. At METZ CONNECT's request, the Customer shall submit and make available meaningful evidence (e.g. test and laboratory protocols, certifications, etc.).

Accessories from

P/N	Designation
11061213	KRA-S-M6/21, 1 changeover contacts, 24 V AC/DC
11061305	KRA-M4/1, 1 normally open contact (SPST-NO), 230 V AC
11061313	KRA-M4/1, 1 normally open contact (SPST-NO), 24 V AC/DC
11061325	KRA-M4/1, 1 normally open contact (SPST-NO), 24 V DC
11061505	KRA-M6/21, 1 changeover contact, 230 V AC
11061513	KRA-M6/21, 1 changeover contact, 24 V AC/DC
11061525	KRA-M6/21, 1 changeover contact, 24 V DC
11061550	KRA-M6/21, 1 changeover contact, 12 V AC/DC
11061605	KRA-M6/1-1, 2 normally open contacts, 230 V AC
11061613	KRA-M6/1-1, 2 normally open contacts, 24 V AC/DC
11061705	KRA-M6/1-2, 1 normally open contact, 1 normally closed contact, 230 V AC
11061713	KRA-M6/1-2, 1 normally open contact, 1 normally closed contact, 24 V AC/DC
11061905	KRA-M8/21-21, 2 changeover contacts, 230 V AC
11061913	KRA-M8/21-21, 2 changeover contacts, 24 V AC/DC
11061925	KRA-M8/21-21, 2 changeover contacts, 24 V DC
11061950	KRA-M8/21-21, 2 changeover contacts, 12 V AC/DC
11064513	KRA-SR-M8/21, 1 changeover contact, 24 V AC/DC
11065013	KRA-M4/1 LC, 1 normally open contact (SPST-NO), 24 V AC/DC

C | Logline

Data sheet

Labeling plate white

Page 4/4

P/N

820234-01-9

EAN 4250184119319

2024/10/25

Version: F

Illustrations

Dimensional drawing

