

PTS845 Series

4.5x3.4mm SMT Side Actuated Tactile Switch



Specifications

Function	Momentary action
Contact Arrangement	1 make contact = SPST NO
Terminals	SMT Termination
Travel	0.2mm ± 0.1mm
Life	100,000 & 1,000,000 cycles

Electrical Characteristics

Max. Voltage	12 VDC
Max. Current DC	50 mA
Dielectric Voltage	10 mA
Contact Resistance	100 mΩ
Insulation Resistance	100 mΩ min.

Environmental Characteristics

Operating Temperature	-40°C to 90°C
Storage Temperature	-30°C to 80°C

Description

PTS845 series, the small and compact size side actuated tactile switch, has a size of only 4.5 x 3.4 x 3.3 mm. With the small and compact size, the switch allows designers to either free up space in PCB to add additional functionality, or reduce the overall size of their design. 80, 160 and 260 gf operating forces, which are the most common versions used in the market, are available. Bracket peg design of the switch provides premium quality and performance. PTS845 tactile switch accommodates a wide range of applications in the high-end consumer wearable and medical device markets, where compact solution is required.

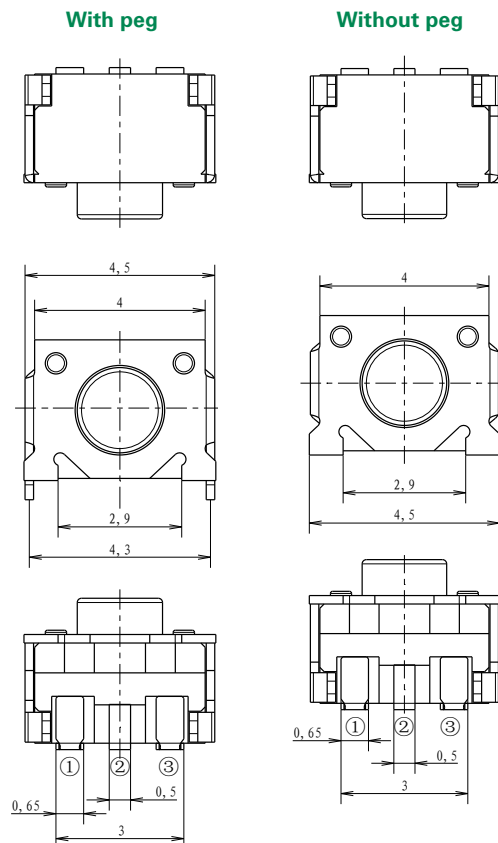
Features & Benefits

- 4.5 x 3.4 x 3.3 mm package
- SMT termination
- Side actuated with bracket peg design
- 80, 160 & 260 gf versions
- Up to 1,000,000 life cycles

Applications

- Mobile radios
- Dash cameras
- Gaming peripherals
- Home automation

Dimensions (mm)



PTS845 Series

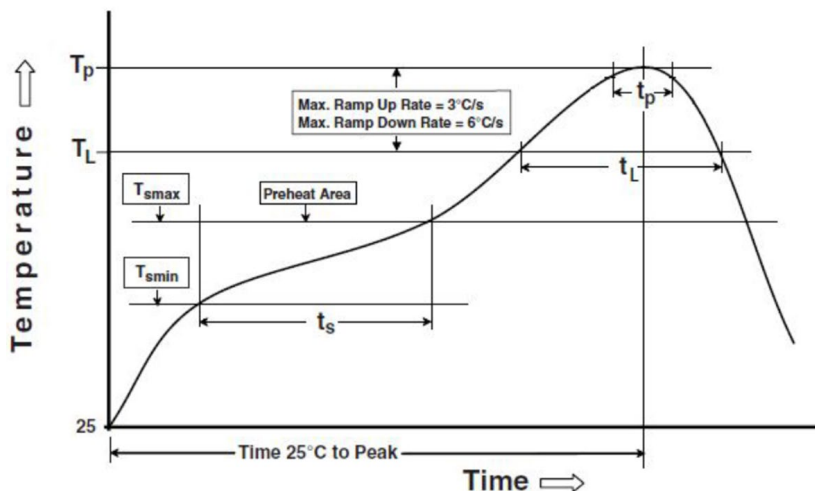
4.5x3.4mm SMT Side Actuated Tactile Switch



Mechanical Characteristics

Part #	Force (gf)	Operating Life (cycles)	Peg	Actuator Colors
PTS845VN20PSMTR4 LFS	80 ± 40	100,000	Y	Grey
PTS845VM20PSMTR4 LFS	160 ± 50	100,000	Y	Ivory
PTS845VM20SMTR4 LFS	160 ± 50	100,000	N	Ivory
PTS845VM20PSMTR41M LFS	160 ± 50	1,000,000	Y	Yellow Green
PTS845VM20SMTR41M LFS	160 ± 50	1,000,000	N	Yellow Green
PTS845VK20PSMTR4 LFS	260 ± 50	100,000	Y	Black

Soldering Profile



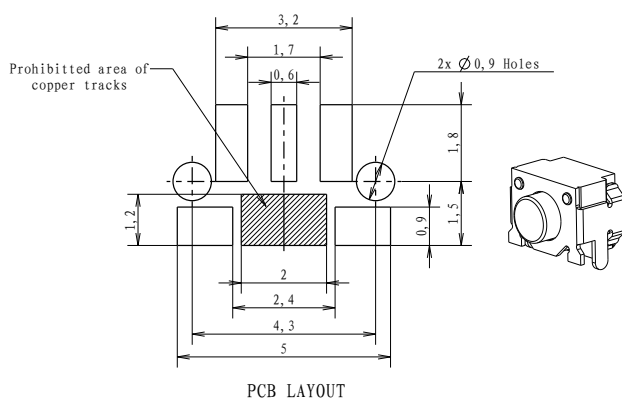
Tp	Peak package body temperature 260°C
TL	Liquidous temperature 217°C
Ts	Preheat temperature 150-200°C
ts	Preheat time 60-120s
tp	30s
tL	60-150s

Soldering: This component is suited to the following methods:

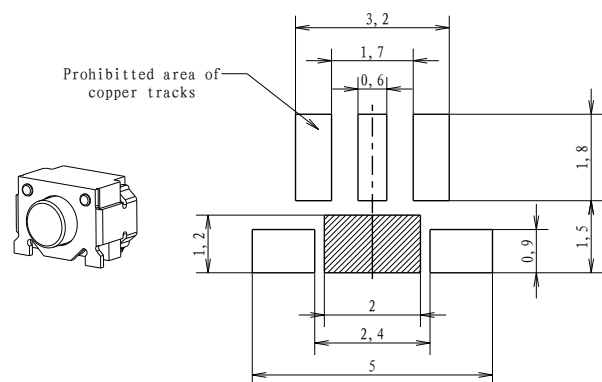
Infrared Reflow Soldering in accordance with IEC61760-1

Pad Layout Dimensions (mm)

With peg



Without peg

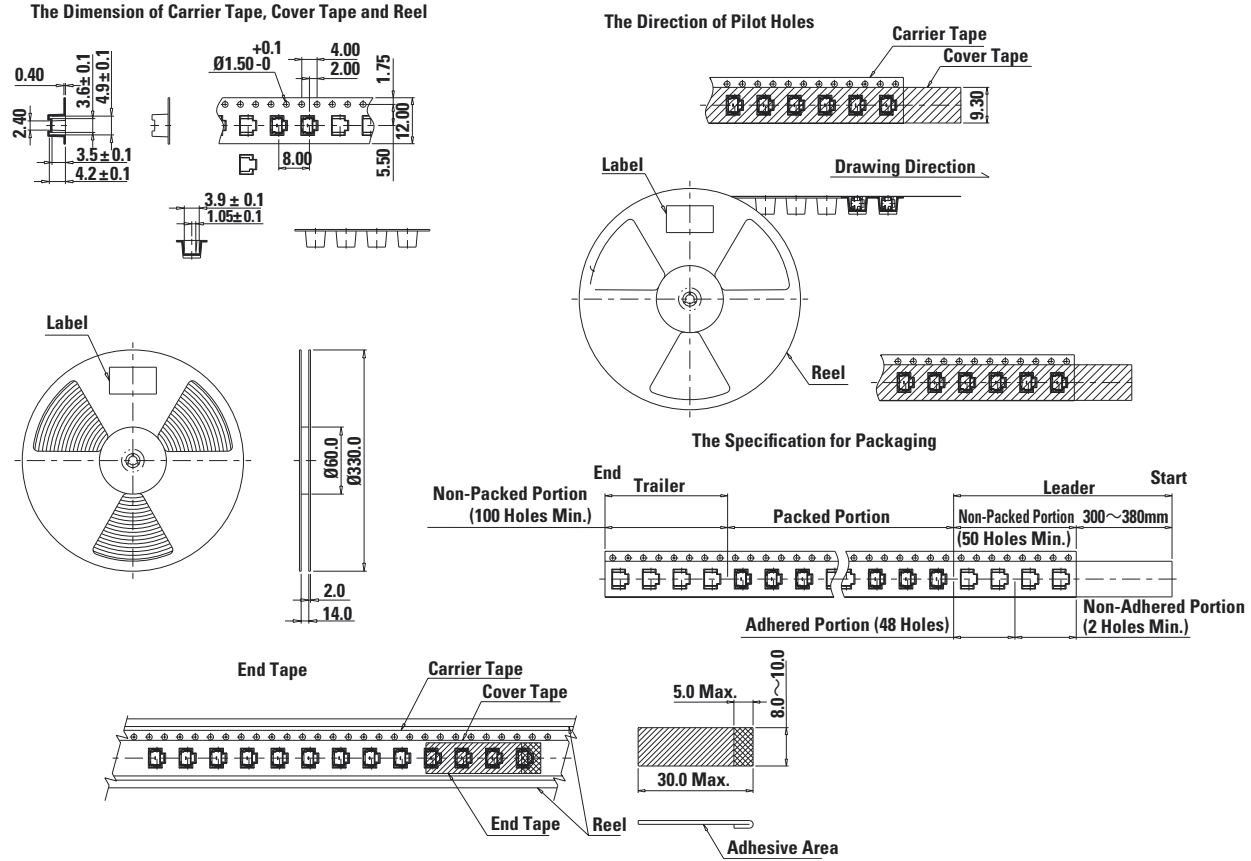


PTS845 Series

4.5x3.4mm SMT Side Actuated Tactile Switch



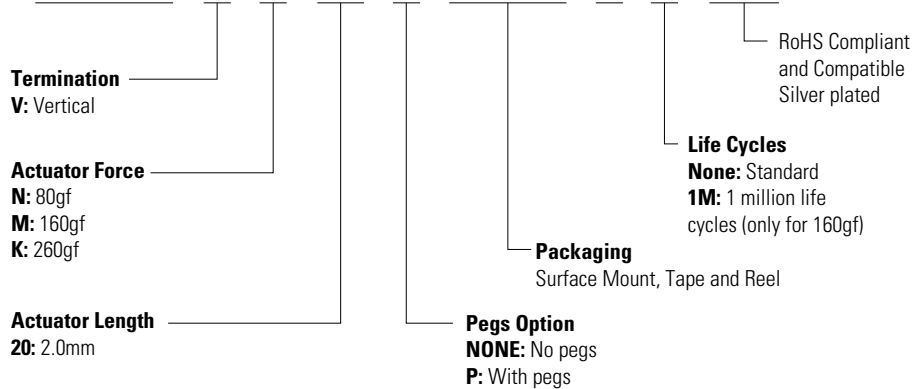
Packaging Dimensions (mm)



Ordering Number

Our easy build-a-switch concept allows you to mix and match options to create the switch you need. To order, select desired option from each category. For any part number different from those listed below, please consult your local representative.

PTS845 - x - x - xx - x - SMTR - 4 - x - LFS



Liability Limitation

This datasheet does not provide enough information for applications that require a certain level of quality or safety such as automotive, medical systems, or safety equipment. Please contact customer service for the contractual specification package.

Disclaimer Notice - Information furnished is believed to be accurate and reliable. However, users should independently evaluate the suitability of and test each product selected for their own applications. Littelfuse products are not designed for, and may not be used in, all applications. Read complete Disclaimer Notice at <http://www.littelfuse.com/disclaimer-electronics>.