

4

3

2

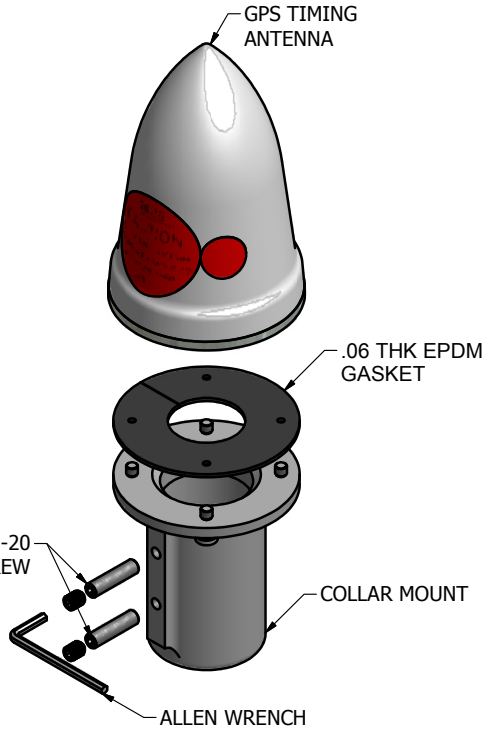
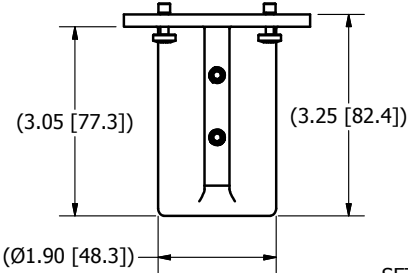
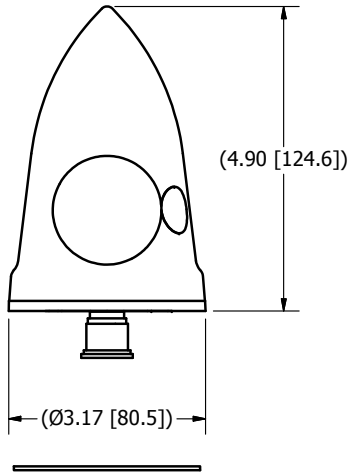
1

REVISION HISTORY

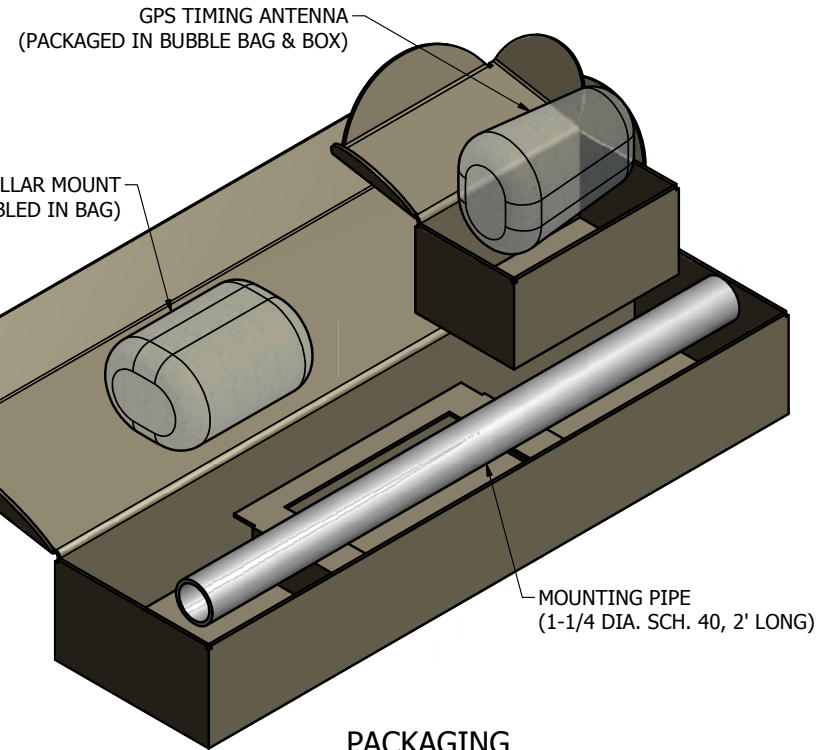
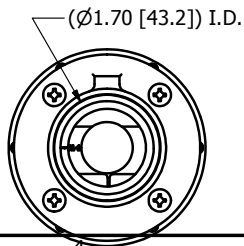
REV	DESCRIPTION	DATE	APPROVED
A	OUTLINE DIMENSIONAL DRAWING RELEASED [C09892-JFM]	11DEC12	JD
A2	WAS SHEDULE 80 PIPE	26FEB13	JD

NOTES: UNLESS OTHERWISE SPECIFIED

- TEST PER ANTENNA ELECTRICAL SPECIFICATIONS. (SEE PCTEL CATALOG FOR DETAIL)
 FREQUENCY RANGE: 1575.42±1.2 MHz
 NOMINAL IMPEDANCE: 50 Ohms
 NOMINAL GAIN (ANTENNA ONLY): 26.5±3 dB
 VSWR (MAX) < 2.0:1
- DIMENSIONS IN PARENTHESIS ARE FOR REFERENCE ONLY AND NO TOLERANCE IS IMPLIED.



ANTENNA & MOUNT SCALE 1 / 2



PACKAGING SCALE 1 / 4

UNLESS OTHERWISE SPECIFIED DIMENSIONS ARE IN INCHES [DIMENSIONS ARE IN mm] FOR TOLERANCES NOT SPECIFIED USE: XX in ± .1 in, XXX in ± .01 in, XXXX in ± .005 in [X mm ± 3 mm], [X.X mm ± .3 mm], [X.XX mm ± .13 mm] ANGULAR ± 1°, FRACTIONAL ± 1/64	DRAWN	DATE		PCTEL, INC. ANTENNA PRODUCTS 471 BRIGHTON DRIVE BLOOMINGDALE, IL 60108 PH. 630-372-6800 FAX. 630-372-8077
	IP	12/11/2012		
	CHECKED	DATE	DESCRIPTION: GPS TIMING ANT, 26 DB, HR, COLLAR MNT, PIPE	
	APPROVED	DATE	DRAWING NO. ODD_GPS-TMG-HR-26NMSCL-A	
PROPRIETARY DATA THE INFORMATION CONTAINED IN THIS DOCUMENT IS OF A PROPRIETARY NATURE AND MAY NOT BE USED OR REPRODUCED WITHOUT THE EXPRESSED WRITTEN PERMISSION OF PCTEL INC., BLOOMINGDALE, IL 60108	MATERIAL:	SEE COMPONENT PRINTS	SIZE	B
	FINISH:	SEE COMPONENT PRINTS	SCALE	1/2
			SHEET	1 OF 1