

LEDEX



ERMEC
División Relojería Monumental

ERMEC, S.L. BARCELONA
C/ Francesc Teixidó, 22
E-08918 Badalona
(Spain)

Tel.: (+34) 902 450 160
Fax: (+34) 902 433 088
ermec@ermec.org
www.ermec.org

ERMEC, S.L. MADRID
C/ Sagasta, 8, 1ª planta
E-28004 Madrid
(Spain)

PORTUGAL
portugal@ermec.com

 **JOHNSON
ELECTRIC**

... innovating motion ...

The data used in this Product Overview may be used as a guideline only.
Specific operational characteristics of our products may vary according to individual applications. It is strongly recommended that specific operating conditions are clarified with Johnson Electric before application.

Johnson Electric Terms and Conditions of Sale apply.

All data may be subject to change without notice.



ERMEC, S.L. BARCELONA
C/ Francesc Teixidó, 22
E-08918 Badalona
(Spain)

Tel.: (+34) 902 450 160
Fax: (+34) 902 433 088
ermec@ermec.org
www.ermec.org

ERMEC, S.L. MADRID
C/ Sagasta, 8, 1ª planta
E-28004 Madrid
(Spain)

PORTUGAL
portugal@ermec.com

Table of Contents

Johnson Electric Group

About Johnson Electric	2
About Ledex® Solenoids	4
Rotary Solenoid Overview	6
Linear Solenoid Overview	8
Value-Added Assemblies	12
Applications	14

Innovations in Solenoid Technology

Overview	A2
MagShift®	A3
PMA™	A4
CamBolt™	A6

Rotary Solenoids

Ultimag®	B
BTA®	C
Rotary	D

Linear Solenoids

Soft Shift®	E
Tubular	F
Low Profile	G
Open Frame	H
Magnetic Latching	I

Battery Operation and Electronics

Battery-Operated Solenoids	J
Electronic Drives and Coil Suppressors	K

Resource Information

Technical Reference	L
Stock Products Listing	M1
Index	M3
Terms and Conditions	M10

LEDEX

Ledex® is the world's leading industrial solenoid brand.

For more than 60 years, we have provided electromechanical and electromagnetic solutions where others cannot.

Our experienced team of design and production engineers solve problems for applications: from printers to defibrillators – from weapons systems to ATMs – from prison door locks to wastewater pump controls.

No matter what complexities or unique attributes your specific industrial actuation problem may contain, we are confident that Ledex Products can be your solution. We couple excellent customer service and delivery performance with our technical design advantage to provide you with a premium service experience in all aspects of your relationship with us.

We look forward to working with you.



ERMEC, S.L. BARCELONA
C/ Francesc Teixidó, 22
E-08918 Badalona
(Spain)

Tel.: (+34) 902 450 160
Fax: (+34) 902 433 088
ermec@ermec.org
www.ermec.org

ERMEC, S.L. MADRID
C/ Sagasta, 8, 1ª planta
E-28004 Madrid
(Spain)

PORTUGAL
portugal@ermec.com

The Johnson Electric Group is one of the world's largest providers of motion actuators for automotive and industrial applications

Over the years, we have shipped billions of motors to more than thirty countries in over one hundred different motor applications. Johnson Electric has an annual production capacity of one billion motors.

to meet all of our commitments and to support our customers' success. Product reliability and assurance of supply are our commitment.

At the heart of Johnson Electric's success is our commitment to make our customers successful. Our customers include many of the world's leading industrial, consumer and automotive companies. We begin by understanding our customers' business needs, and the product application requirements of the end user of our customers' products. Then we design and deliver innovative motion solutions that help our customers to differentiate their products in the marketplace. Our goal is to be instrumental in the successful launch of our customers' products in their respective marketplaces.

Our Brand Promise

Johnson Electric is the most reliable partner

Johnson Electric is responsive and flexible; and has the financial stability and organizational integrity

Johnson Electric delivers competitive advantage

Johnson Electric delivers differentiation and innovation through its motion products – subsystems comprising of Stepper Motors, DC Motors, AC Motors, Piezo-electric Motors, Switches, Solenoids, Flexi Circuits, Motion Control, Precision Plastics and Precision Gears.

Our business growth hinges with leading "branded" goods producers to deliver differentiation and innovation through our motion products. The core platform for delivering these solutions is a highly developed production base and focused customer support teams throughout the world. This combines scale advantages in production and procurement with skilled and dedicated motion application experts.



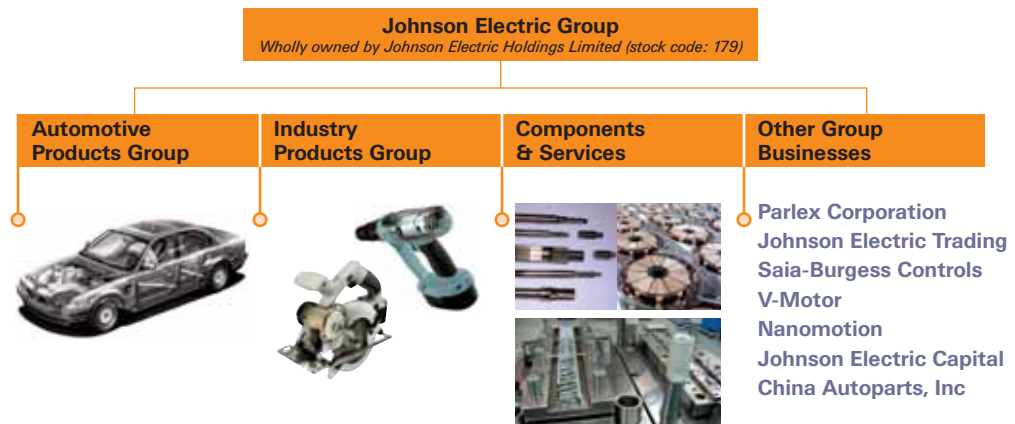
ERMEC, S.L. BARCELONA
C/ Francesc Teixidó, 22
E-08918 Badalona
(Spain)

Tel.: (+34) 902 450 160
Fax: (+34) 902 433 088
ermec@ermec.org
www.ermec.org

ERMEC, S.L. MADRID
C/ Sagasta, 8, 1ª planta
E-28004 Madrid
(Spain)

PORTUGAL
portugal@ermec.com

Johnson Electric Holdings Limited is the parent company of the Johnson Electric Group and has been listed on the Stock Exchange of Hong Kong since 1984. The Group structure consists of a number of operating divisions and business units focused on their particular customer application or product segment



The Group’s motion systems, motors and switches businesses are managed through two primary operating divisions: Automotive Products Group and Industry Products Group.

The Automotive Products Group, which consists of Johnson Electric’s Automotive Motors Group and the Automotive Division of Saia-Burgess Electronics, is focused on providing customized motion solutions for major automotive application segments that include powertrain, body and chassis.

The Industry Products Group is comprised of business units that provide motion products and solutions for various commercial and industrial application sectors, including home appliances, power tools, business equipment, personal care products, medical equipment and healthcare, building automation and security, audio-visual and other industrial products.

Supporting these two operating divisions is the Group’s Components & Services function which produces metal and plastic parts, tooling and production equipment for motor and motion related products. Johnson Electric is a highly vertically integrated business that manufactures an exceptionally wide range of components that form the basis for its final assembled end products. We make magnets, bearings, shafts, housings, laminations, commutators and die cast parts. We also build tools, assembly fixtures, plastic molds as well as armature winding and other production machines.

In addition to motion systems and motors, the Group also consists of a number of complementary manufacturing businesses and other subsidiary companies. These include an innovative provider of flexible printed circuits and interconnect solutions; a successful niche player in the programmable controls industry; and a rapidly growing specialty metals and trading services company.

Ledex® Solenoid Solutions

Ledex® Solenoids are found in countless industrial applications from ATMs to zip code sorting machines. Let our experience work for you.

Machine and process automation can range from the most basic on-off function to extremely complex sequencing. When the process involves linear or rotary motion, solenoids are among the best actuation devices in terms of size, cost, simplified installation, and ease of use.

Below and on the facing page are some of the primary functions which are ideally suited for Ledex® solenoids, followed by several pages of actual application examples of our products applied in a wide variety of industries. If your design includes linear or rotary operations, we can help you determine the best solenoid to meet your application design requirements.

Exceptional Force or Torque

A linear solenoid can provide up to 30 pounds of force from a unit less than $2\frac{1}{4}$ inches long. A rotary solenoid can provide well over 100 lb-in of torque from a unit also less than $2\frac{1}{4}$ inches long.

Variable Positioning

Soft Shift® solenoids for linear applications and BTA® Brushless Torque Actuators for rotary applications provide variable positioning capabilities.

High Speed

Solenoids can be actuated in milliseconds, or can be velocity controlled to provide smooth, noiseless actuation.

Minimum Size

Need low profile? Minimum volume? Small frontal area? Ledex® solenoids can pack more work per cubic inch than motors.

Simplified Control

Being a pulsed device with minimal components optimizes solenoids for digital control. This results in faster cycling and higher reliability with fewer interfaces.

Uncompromising Reliability

Ledex® solenoids provide repeatable, predictable performance with a specified life of up to 100 million cycles.

Common Rotary Solenoid Applications

- Sorters
- Circuit breakers
- IC insertion machines
- Defibrillators
- Textile machinery
- Automatic tellers
- Blood analyzers
- Machine tools
- Pinch rollers
- Ticket machines
- Copiers

Common Linear Solenoid Applications

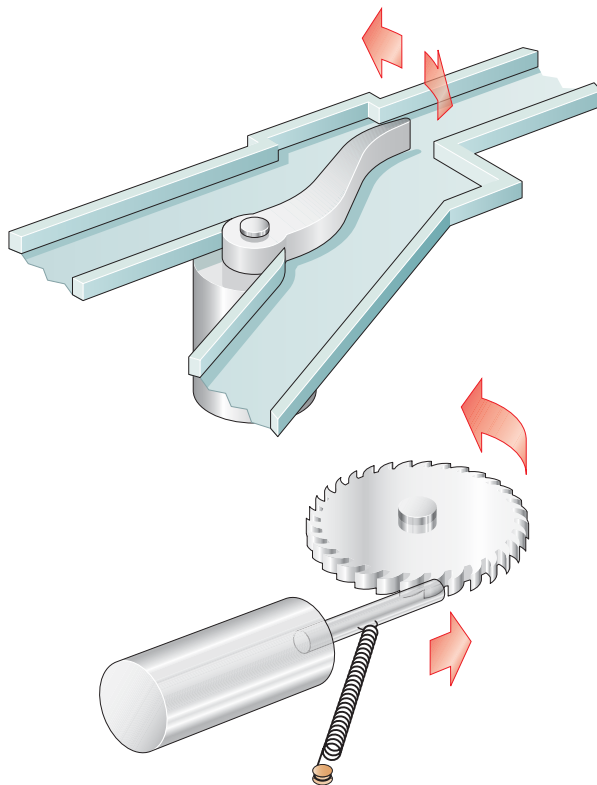
- Vending machines
- Brakes
- Copiers
- Door locks
- Pumps
- Coin changers
- Film processors
- Disk drive locks
- Drug management systems

Divert

Gate diverters, depending on the application, can be used continuously or very infrequently. In this example, a BTA® unit is chosen for its 100+ million actuation life rating.

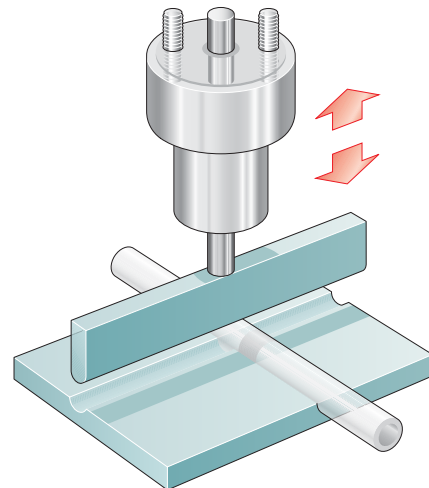
Position

Positioning applications can range from a simple ratcheting device, such as this, to precise variable positioning using linear Soft Shift® solenoids or rotary BTA® actuators.



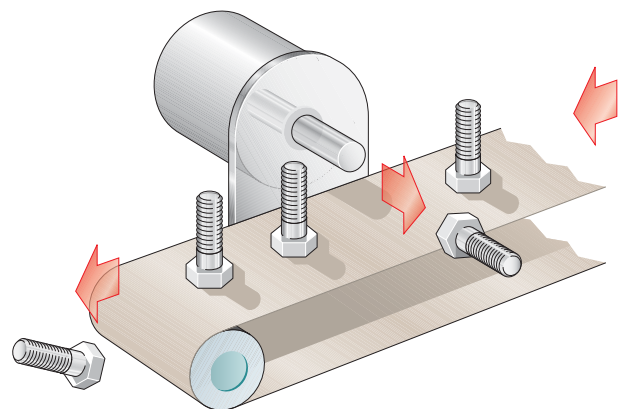
Pinch

In medical equipment, tubes carrying body fluids must have accurately controlled flow regulation. In this example, a Soft Shift® solenoid is utilized for its variable positioning capability to smoothly pinch the tube to the operator's precise demand. Using a solenoid in this manner eliminates valves and other connecting apparatus which pose a threat for contamination or leakage.



Kick

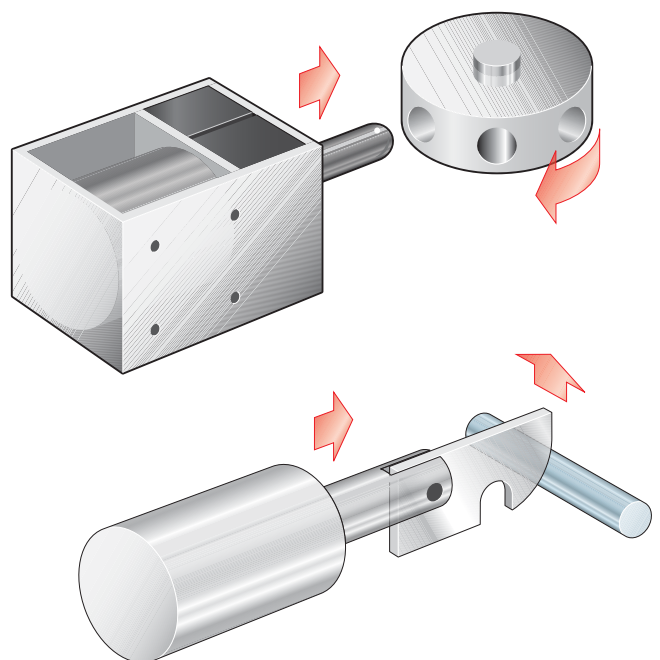
Solenoid snap-acting response and electric operation are beneficial for part rejection processes in which electronic interfacing with a photosensor or some other sensor is required.



Lock/Latch

Low cost, compact size, reliability, and long life are all reasons for the growing demand for Ledex solenoids in a wide variety of locking applications from vault doors, cash registers, disk drives and missile systems.

Whether rotary or linear, a Ledex solenoid is easily configured into machine designs requiring a platform or stage to be latched in position during a particular machine process.



Rotary Solenoids

Ultimag® Actuators

- Characteristics
- Quiet, shock-free operation
 - Fast energizing time
 - High speed cycle rates
 - On/off or proportional mode operation



Model	4EM	5EM	6EM
Dimensions (in)	Ø1.625 x 1.04	Ø1.937 x 1.31	Ø2.312 x 1.6
Duty Cycle	Continuous or intermittent	Continuous or intermittent	Continuous or intermittent
Stroke	±22.5°	±22.5°	±22.5°
Net Starting Torque (lb-in)	2.8	6.3	14
Speed (Hz)	>78	>67	>12.8
Life	100 million cycles	100 million cycles	100 million cycles
Power (W)	14.5–145	42–210	32–320
Supply (V)	3.2–115	6.6–168	9.2–313
Housing	Completely enclosed design	Completely enclosed design	Completely enclosed design

BTA® Actuators

- Characteristics
- Quiet, shock-free operation
 - High speed cycle rates
 - Closed loop velocity
 - Position control



Model	2EV ●	3EV	4EV	5EV	6EV
Dimensions (in)	Ø1.188 x 0.719	Ø1.375 x 0.89	Ø1.625 x 1.055	Ø1.937 x 1.265	Ø2.312 x 1.625
Duty Cycle	Continuous or intermittent	Continuous or intermittent	Continuous or intermittent	Continuous or intermittent	Continuous or intermittent
Stroke	45°	45°	45°	45°	45°
Gross Starting Torque (lb-in)	1.00	1.66	1.85	6.00	12.90
Life	100 million cycles	100 million cycles	100 million cycles	100 million cycles	100 million cycles
Power (W)	20–100	13–130	14.5–145	21–210	32–320
Supply (V)	3.1–80	1.9–78.7	3.2–115	4.7–168	9.2–313
Housing	Completely enclosed design	Completely enclosed design	Completely enclosed design	Completely enclosed design	Completely enclosed design

● Well-suited for battery operation.

All catalog products manufactured after April 1, 2006 are RoHS Compliant

Rotary Solenoids

Ledex® Rotary Solenoids

- Characteristics
- Snap acting engagement
 - Maximum versatility
 - On/off operation
 - Clockwise or counterclockwise



Model	1E ●	2E ●	3B	3E
Dimensions (in)	Ø1.000 x 0.625	Ø1.125 x 0.656	Ø1.312 x 0.875	Ø1.312 x 0.797
Duty Cycle	Continuous or intermittent	Continuous or intermittent	Continuous or intermittent	Continuous or intermittent
Stroke	Up to 45°	Up to 45°	Up to 67.5°	Up to 67.5°
Starting Torque (lb-in)	Up to 1.1	Up to 1.7	Up to 3.2	Up to 3.2
Holding Torque (lb-in)	Up to 0.3	Up to 0.5	Up to 0.9	Up to 0.9
Life	1 million cycles; 50 million cycles on extended life types	1 million cycles; 50 million cycles on extended life types	1 million cycles; 50 million cycles on extended life types	1 million cycles; 50 million cycles on extended life types
Power (W)	10.5–108	7–140	10–200	9–180
Supply (V)	2.9–94	2.2–128	2.6–123	2.6–118
Housing	Compact design with a variety of enclosures	Compact design with a variety of enclosures	Compact design with a variety of enclosures	Compact design with a variety of enclosures

Model	4E	5B	5S	6S	7S
Dimensions (in)	Ø1.562 x 0.953	Ø1.875 x 1.203	Ø1.875 x 1.047	Ø2.250 x 1.343	Ø2.750 x 1.766
Duty Cycle	Continuous or intermittent	Continuous or intermittent	Continuous or intermittent	Continuous or intermittent	Continuous or intermittent
Stroke	Up to 95°	Up to 95°	Up to 110°	Up to 110°	Up to 95°
Starting Torque (lb-in)	Up to 5.2	Up to 10.0	Up to 13.2	Up to 30.6	Up to 46.6
Holding Torque (lb-in)	Up to 2.0	Up to 4.0	Up to 5.0	Up to 9.0	Up to 20.0
Life	1 million cycles; 50 million cycles on extended life types	1 million cycles; 50 million cycles on extended life types	1 million cycles; 50 million cycles on extended life types	1 million cycles; 50 million cycles on extended life types	1 million cycles; 50 million cycles on extended life types
Power (W)	12.5–250	21–420	21–420	32–640	35–700
Supply (V)	4.3–187	6.1–273	6.1–271	10.3–469	16.3–463
Housing	Compact design with a variety of enclosures	Compact design with a variety of enclosures	Compact design with a variety of enclosures	Compact design with a variety of enclosures	Compact design with a variety of enclosures

- Well-suited for battery operation.



All catalog products manufactured after April 1, 2006 are RoHS Compliant

Linear Solenoids

Soft Shift® Solenoids

- Characteristics
- Quiet operation
 - Slow, smooth motion
 - Snap action
 - On/off or velocity controlled



Model	2EP ●	3EP	4EP	5EP	6EP
Dimensions (in)	Ø1.125 x 0.996	Ø1.312 x 1.232	Ø1.562 x 1.471	Ø1.875 x 1.935	Ø2.250 x 2.214
Duty Cycle	Continuous or intermittent	Continuous or intermittent	Continuous or intermittent	Continuous or intermittent	Continuous or intermittent
Stroke (in)	Up to 0.16	Up to 0.25	Up to 0.30	Up to 0.40	Up to 0.42
Force (lb)	Up to 3.8	Up to 4.3	Up to 7.5	Up to 12.5	Up to 29.5
Life	10 million cycles	10 million cycles	10 million cycles	10 million cycles	10 million cycles
Power (W)	7–70	9–90	12.5–125	21–210	32–320
Supply (V)	2.2–91	2.6–83	4.3–132	7.2–226	12.3–394
Housing	Completely enclosed design	Completely enclosed design	Completely enclosed design	Completely enclosed design	Completely enclosed design

Tubular Solenoids

- Characteristics
- Push or pull operation
 - Well-suited to lock/latch operations
 - Multiple plunger designs
 - On/off operation



Model	1/2 X 1/2 ●▲	1/2 X 1 ●	3/4 X 1-1/2 ●	1 X 2	Size 125	Size 150	Size 175
Dimensions (in)	Ø0.52 x 0.55	Ø0.52 x 1.05	Ø0.77 x 1.56	Ø1.02 x 2.05	Ø1.25 x 2.25	Ø1.50 x 2.50	Ø1.75 x 4.75
Duty Cycle	Continuous or intermittent	Continuous or intermittent	Continuous or intermittent	Continuous or intermittent	Continuous or intermittent	Continuous or intermittent	Continuous or intermittent
Stroke (in)	Up to 0.1	Up to 0.5	Up to 0.7	Up to 0.7	Up to 0.7	Up to 0.8	Up to 2.5
Force (lb)	Up to 1.6	Up to 2.5	Up to 10	Up to 24	Up to 13	Up to 20	Up to 21
Life	25 million cycles	25 million cycles	25 million cycles	25 million cycles	1 million cycles	1 million cycles	1 million cycles
Power (W)	3–30	4–40	7–70	10–100	13–130	17–170	20–200
Supply (V)	1.2–38	2.4–77	3.9–76	4.4–142	6.8–128	9.8–315	17–534
Housing	Shock and vibration integrity	Shock and vibration integrity	Shock and vibration integrity	Shock and vibration integrity	Shock and vibration integrity	Shock and vibration integrity	Shock and vibration integrity

● Well-suited for battery operation.

▲ Magnetic Latching available.

All catalog products manufactured after April 1, 2006 are RoHS Compliant

Linear Solenoids

Low Profile Solenoids

- Characteristics
- Push/pull engagement
 - High force
 - Short stroke applications
 - On/off operation



Model	0EC ●	1EC ●	2EF/2EC ●	3EF/3EC
Dimensions (in)	Ø0.75 x 0.5	Ø1.0 x 0.53	Ø1.125 x 0.58	Ø1.312 x 0.69
Duty Cycle	Continuous or intermittent	Continuous or intermittent	Continuous or intermittent	Continuous or intermittent
Stroke (in)	Up to 0.15	Up to 0.24	2EF: Up to 0.075 2EC: Up to 0.24	3EF: Up to 0.075 3EC: Up to 0.3
Force (lb)	Up to 5	Up to 9	2EF: Up to 34 2EC: Up to 10	3EF: Up to 40 3EC: Up to 18
Life	1 to 5 million cycles	1 to 5 million cycles	1 to 5 million cycles	1 to 5 million cycles
Power (W)	4.5–45	5–50	7–70	9–90
Supply (V)	1.6–78	2.1–83	2.2–56	2.6–83
Housing	Completely enclosed design	Completely enclosed design	Completely enclosed design	Completely enclosed design

Model	4EF/4EC	5SF/5EC	6SF/6EC	7EC	8EC
Dimensions (in)	Ø1.562 x 0.835	5SF: Ø1.875 x 0.88 5EC: Ø1.875 x 1.035	6SF: Ø2.25 x 1.145 6EC: Ø2.25 x 1.33	Ø2.750 x 1.780	Ø3.375 X 2.165
Duty Cycle	Continuous or intermittent	Continuous or intermittent	Continuous or intermittent	Continuous or intermittent	Continuous or intermittent
Stroke (in)	4EF: Up to 0.12 4EC: Up to 0.25	5SF: Up to 0.14 5EC: Up to 0.4	6SF: Up to 0.18 6EC: Up to 0.4	Up to 0.70	Up to 0.70
Force (lb)	4EF: Up to 72 4EC: Up to 24	5SF: Up to 100 5EC: Up to 40	6SF: Up to 190 6EC: Up to 75	Up to 80	Up to 175
Life	1 to 5 million cycles	1 to 5 million cycles	1 to 5 million cycles	1 to 5 million cycles	1 to 5 million cycles
Power (W)	12.5–125	21–210	32–320	35–350	41–410
Supply (V)	4.3–132	5SF: 6.1–192 5EC: 7.2–226	6SF: 10.3–331 6EC: 12.3–394	19–600	29–529
Housing	Completely enclosed design	Completely enclosed design	Completely enclosed design	Completely enclosed design	Completely enclosed design

- Well-suited for battery operation.



All catalog products manufactured after April 1, 2006 are RoHS Compliant

Linear Solenoids

Box Frame Solenoids

- Characteristics
- Pull-in operation (push types available)
 - Higher efficiency
 - On/off operation
 - Continuous or intermittent duty



Model	B4HD	B11	B14 ● / B14-L ●▲	B16 ● / B16-L ●▲	B17 ● / B17-L ●▲
Dimensions H x W x L (in)	1.63 x 1.44 x 2.18	1.18 x 0.94 x 1.86	1.02 x 0.79 x 1.45	0.48 x 0.39 x 0.99	0.59 x 0.51 x 0.79
Duty Cycle	Continuous or intermittent	Continuous or intermittent	Continuous or intermittent	Continuous or intermittent	Continuous or intermittent
Stroke (in)	Up to 1.00	Up to 1.00	Up to 0.6	Up to 0.15	Up to 0.18
Force (lb)	Up to 23	Up to 7	Up to 5.5	Up to 0.9	Up to 1.6
Life	50,000 to 100,000 cycles	50,000 to 100,000 cycles	50,000 to 100,000 cycles	50,000 to 100,000 cycles	50,000 to 100,000 cycles
Power (W)	1.4–190	1.4–190	5.2–52.2	1.4–190	1.4–190
Supply (V)	6–388	6–388	6–76	6–388	6–388
Housing	Box frame	Box frame	Box frame	Box frame	Box frame

Model	B20 ●	B21	B22 / B22-L ▲	B27	B41	B75M ●
Dimensions H x W x L (in)	0.94 x 0.81 x 1.14	1.31 x 1.31 x 1.20	1.47 x 1.31 x 1.61	0.93 x 0.81 x 1.62	2.03 x 1.73 x 3.05	1.14 x 1.00 x 1.63
Duty Cycle	Continuous or intermittent	Continuous or intermittent	Continuous or intermittent	Continuous or intermittent	Continuous or intermittent	Continuous or intermittent
Stroke (in)	Up to 0.5	Up to 0.5	Up to 1.00	Up to 0.4	Up to 1.00	Up to 0.6
Force (lb)	Up to 6	Up to 12.5	Up to 15	Up to 7	Up to 32	Up to 12
Life	50,000 to 100,000 cycles	50,000 to 100,000 cycles	50,000 to 100,000 cycles	50,000 to 100,000 cycles	50,000 to 100,000 cycles	50,000 to 100,000 cycles
Power (W)	4.5–45	9–80	1.4–190	7–72	1.4–190	6–60
Supply (V)	6–388	6–388	6–388	6–388	6–388	6–153
Housing	Box frame	Box frame	Box frame	Box frame	Box frame	Box frame

● Well-suited for battery operation.

▲ Magnetic Latching model.

All catalog products manufactured after April 1, 2006 are RoHS Compliant

Linear Solenoids

C Frame Solenoids

- Characteristics
- Pull-in operation (push types available)
 - Most economical
 - On/off operation
 - Continuous or intermittent duty



Model	C5 ● / C5-L ● ▲	C8 ●	C9 ●	C15
Dimensions H x W x L (in)	0.46 x 0.41 x 0.94	0.81 x 0.75 x 1.13	1.25 x 1.38 x 1.06	1.11 x 1.06 x 1.14
Duty Cycle	Continuous or intermittent	Continuous or intermittent	Continuous or intermittent	Continuous or intermittent
Stroke (in)	Up to 0.2	Up to 0.5	Up to 0.5	Up to 0.5
Force (lb)	Up to 1.2	Up to 3.5	Up to 6.6	Up to 3.4
Life	50,000 to 100,000 cycles	50,000 to 100,000 cycles	50,000 to 100,000 cycles	50,000 to 100,000 cycles
Power (W)	3–30	1.4–190	1.4–190	1.4–190
Supply (V)	3–76	6–388	6–388	6–388
Housing	C frame	C frame	C frame	C frame

Model	C26	C33	C34
Dimensions H x W x L (in)	0.90 x 0.85 x 1.73	1.14 x 1.31 x 1.36	1.44 x 1.31 x 1.66
Duty Cycle	Continuous or intermittent	Continuous or intermittent	Continuous or intermittent
Stroke (in)	Up to 0.75	Up to 0.5	Up to 1.00
Force (lb)	Up to 3.2	Up to 6.5	Up to 12.8
Life	50,000 to 100,000 cycles	50,000 to 100,000 cycles	50,000 to 100,000 cycles
Power (W)	1.4–190	1.4–190	1.4–190
Supply (V)	6–388	6–388	6–388
Housing	C frame	C frame	C frame

● Well-suited for battery operation.

▲ Magnetic Latching model.

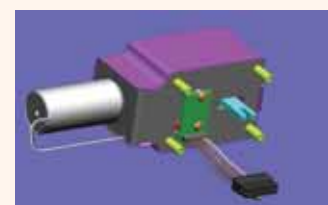
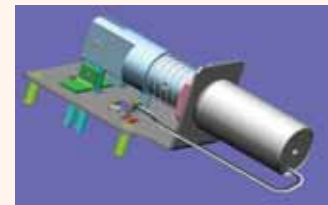
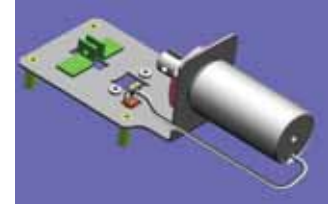
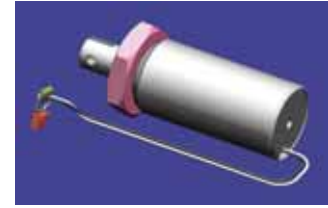
All catalog products manufactured after April 1, 2006 are RoHS Compliant

Looking for a specialized solenoid solution?

Look no further.

We offer the industry's most comprehensive combination of technology, engineering and manufacturing to satisfy all your actuation design needs. From stand-alone solenoid products to complete value-added solutions; we can do it all for you. The images shown are just a few examples of our design and value-added sub-assembly capabilities.

We look forward to the opportunity to work with you.



Ledex® Value-Added Sub-Assemblies

We specialize in the production of custom sub-assemblies, not just solenoids. The following example is typical of what we do to add value for our customers every day:

Customer Request:

Our customer had a demanding application for a complete solenoid sub-system including drive electronics, surge suppression, and a feedback sensor.

Ledex® Solution:

We designed a complete system solution for the customer in a matter of weeks from concept to completion.

Completed units are tested, packaged, and shipped to the customer ready for easy installation.

Materials for this assembly include:

STA Tubular Solenoid PLUS . . .



- Bracket • Adaptor • Spring • Hex Nut • Optical Sensor
- Connector and Cable • PCB • PC Cable • Actuator Arm
- Stand Offs • Trans. Voltage Suppression • Housing

Ledex® Value-Added Solenoid Assemblies



Rotary solenoid with special armature actuator arm and connector



Special open frame solenoid with built-in special mounting plate, actuator arm and spring cushioned stroke-limiting stops



BTA® actuator with integral mounting adapter, diverter vane and return spring



Dual solenoid assembly with diecast mounting bracket and connectors, modified shafts with cross drilled holes for mounting attachments



Rotary solenoid with special armature arm, mounting plate, spring shock mounts and connector with ground wire



Linear solenoid with spring return and molded plastic mounting adapter and actuator arm



Soft Shift® linear variable positioning solenoid with heavy duty external spring



Low profile linear solenoid with special mounting base including locator pins and special leadwire exit location with connector



Linear solenoid with integral mounting adapter and connector, noise absorbing stop and rubber plunger button



Special square linear solenoid with shock mounted foot bracket and manual override



Low profile solenoid with special mounting plate and wiring termination



Tubular solenoid with special mounting plate with built-in stop and connector

Ledex® Application Examples

Pharmaceutical and Medical Equipment

The quality and reliability of Ledex® solenoids make them the ideal solution for medical automation

- Precise, clean, quiet, reliable automation of medical equipment functions
- Compact size with high force or torque
- Easy control with simple electronics
- Instant actuation or smooth variable positioning
- High MTBF, reliable, repeatable operation without degradation due to wear
- Long, predictable life (10⁶ cycles)
- Ideal for both open loop or closed loop microprocessor controlled systems



Pharmaceutical Dispenser

- Storage tray locks
- Locks individual medicine compartments
- Counts tablets as dispensed

IV Fluid Metering

- As pinch valves, solenoids offer a simple, direct, reliable means to start and stop fluid flow through valves or tubing
- Design advantages include non-contacting, quiet operation with minimal heat generation
- Depending on the design requirements, either immediate on/off or slow, proportional actuation can be achieved

Intraocular Microsurgery

- Low profile solenoids are used to control fluid flow through a series of tubes for intraocular surgery
- Reliability is a primary solenoid advantage to eliminate the possibility of malfunction during surgery

Portable, Real-Time Blood Analyzer

- A bedside blood analyzer allows blood to be monitored during administration of medicines allowing doctors to prescribe medications in more exacting dosages based on the patient's condition
- A series of tubular solenoids are used to automate these testing functions with higher repeatability than if done manually.

X-Ray Processor

- For a fully automatic X-ray film development machine, a tubular solenoid activates a lever with suction cups to grip individual sheets of film for processing as they are required
- Being electrically actuated eliminated compartment contamination which would occur if pneumatics were used

Autotransfusion Machine

- Solenoids replaced a DC gearmotor and cam mechanism to operate the series of pinch valves which are opened and closed to accommodate the various blood processing functions
- In addition to performance, patient and operator safety is a paramount design criteria
- Not only do solenoids provide added safety in a power interruption situation, but they dramatically simplify the system design, minimize the number of moving parts, and reduce system cost

Surgical Laser

- Solenoids are commonly used as the shutter mechanism for surgical lasers

Portable Steam Instrument Sterilizer

- Unlike the sophisticated static sterilizers in major hospitals and clinics, many remote facilities rely on the traditional method of boiling instruments. For these applications, a compact field-portable sterilizer pressure boils the instruments in a third as much time and with better results
- A tubular solenoid equipped with high temperature PTFE leads operates the lid interlock mechanism
- This compact interlock ensures that the sterilization sequence cannot commence unless the lid is properly closed, and that once commenced, the lid cannot be opened until the sterilization cycle is either completed or deliberately canceled

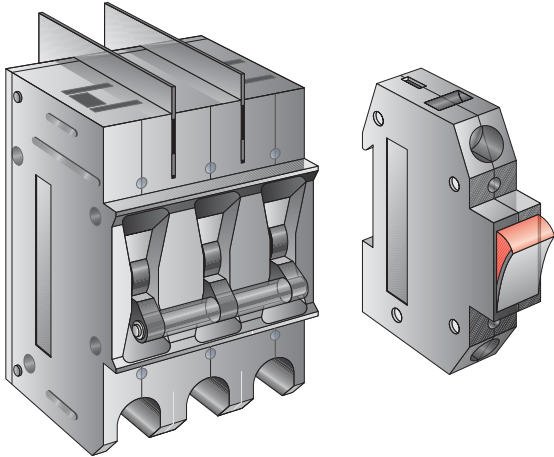
Ventilator

- Ultimag® bidirectional solenoids operate a two-way valve in a ventilator
- The oscillatory operation of the device is ideal for creating a positive air pressure to the patient during inhalation and an open vent during exhalation
- Using a simple bipolar PWM signal, the actuator activates to its inhalation position in 10 ms, is held in position for two seconds, then reverse rotated to the exhale position (-80°), held two seconds, then back to inhale position (+80°) for an indefinite operating cycle period

Ledex® Application Examples

Residential and Commercial Circuit Breakers

Ledex® solenoids are used on numerous residential and commercial circuit breaker applications



Heavy Duty Industrial Breakers

- Used in industrial applications for switching heavy loads
- New magnetically latching designs

Molded Case Breakers

- Similar to residential single and double pole breakers

Re-closers

- Oil or vacuum filled high voltage breakers

Residential Circuit Breakers

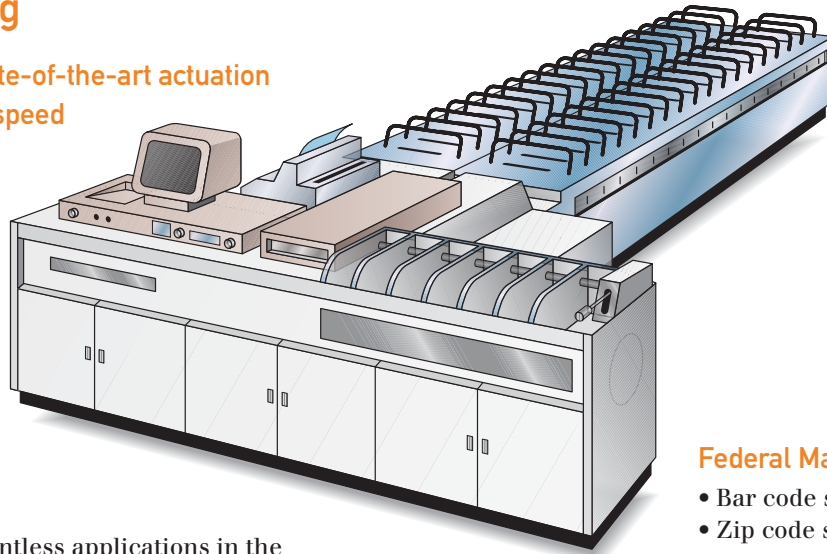
- Most commonly use low cost open frame solenoids to trip breaker
- Some applications require magnetically latching open frame models

Industrial Breakers

- Large solenoids are typically used for industrial applications due to the higher switching loads

High Speed Sorting

Ledex® solenoids offer state-of-the-art actuation solutions for today's high speed sorting applications



Solenoids are found in countless applications in the commercial and Federal mail processing industry. Whether it is a very large machine found in a major U.S. Postal Service facility or a machine found at a credit card statement processing center, these high speed sorters contain many solenoids. Rotary solenoids are typically used to actuate sorting gates. Linear solenoids are often used in accumulators and feeders.

Commercial Mail Processing

- High speed flat sorters
- Parcel sorters
- Envelope preparation
- Accumulators
- Diverters
- Stamping/metering
- Mixed mail variety sorting
- Drive belt tensioning

Federal Mail Processing

- Bar code sorters
- Zip code specific diverter gates
- Mail tray horizontal stack pusher
- Optical recognition character reader/sorter
- Conveyor systems
- Lights out/unmanned bulk mail sort system
- Automated tray management systems
- Rail and tilt cars
- Mail bucket lever trip mechanisms

Ledex® Application Examples

Office Automation

Ledex® solenoids serve the diverse needs of the worldwide office automation market



In the world of office automation, computers and peripherals, solenoids are prevalent. Their long life and quiet actuation characteristics suit them ideally for office environments. Whether it is a PC, a printer, a data storage device, or any number of office automation machines, we have a long history and a wealth of design experience for this industry.

Copiers

- Paper feed
- Film advance
- Toner positioning
- Registration marking

Data Storage

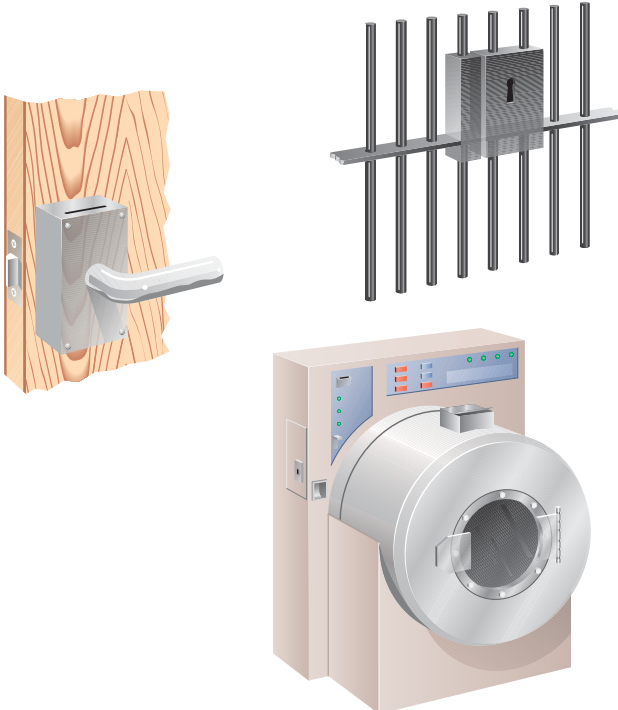
- Door lock in drive cartridges
- Head lock
- Tape library index lock
- X-ray copier/image storage

Printers

- Envelope conditioner
- Paper cutter
- Ticket cutter for airline tickets, lottery tickets...
- ATM receipt
- Paper feed mechanism
- Paper drawer feed selector

Locking Mechanisms

Ledex® solenoids put the lock in security technology



Ledex® solenoids are found in numerous applications that require a locking device. Whether it is a medical application, an office automation application or a door lock, solenoids provide an effective, cost-efficient locking mechanism.

Security Applications

- Hotel room door lock
- Hotel safe lock
- Prison door lock
- Fire safety door opening lock

Office Automation

- Disk drive door lock
- Personal computer chassis lock
- Docking station lock
- Locks to hold peripherals in place
- Tape library index lock

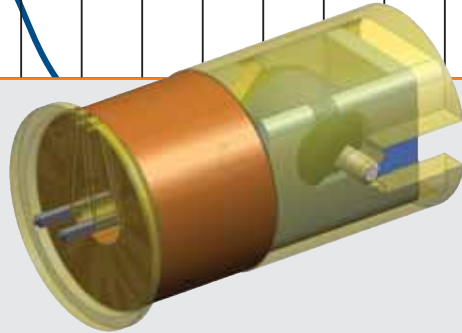
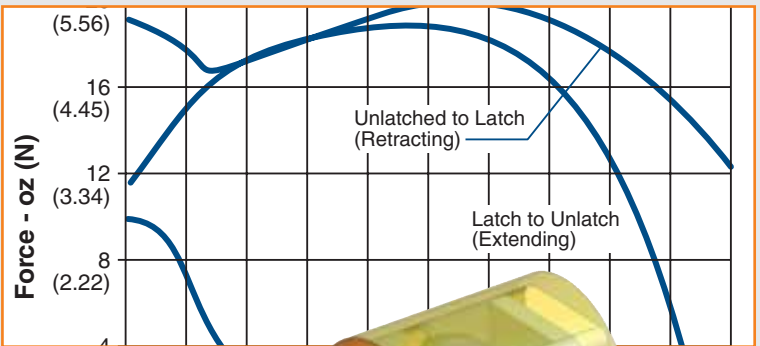
Medical

- Sterilizer lock
- Centrifuge lock
- Blood analysis machine lock

Industrial

- Overhead door lock
- Fire safety door lock
- Prison locks
- Commercial laundry locks

Ledex® Innovations in Solenoid Technology



New Ledex® Innovations Tailored to Your Requirements

Ledex® Products has been known for decades as a leader in solenoid innovation, problem solving and product development. This Innovation chapter of our catalog describes new product platforms that we are developing for emerging market needs.

Below and on the following pages is a look at three different solenoid product technologies that we have recently developed.

Our goal is to make our customers increasingly competitive in a global market that is more and more demanding of new technologies and rapid advancements.

We look forward to putting any of these concepts to work in your application. Please give us a call to discuss your requirements.

	MagShift	PMA	CamBolt
	Page A3	Page A4-5	Page A6
Quiet Actuation	■		
Long Stroke		■	
Magnetic Latching		■	
Mechanical Latching			■
Shock Resistance			■
Bi-directional actuation		■	■
Potential for Very Low Cost	■		■
Medium to High Force	■	■	



MagShift® Solenoids

- Very low noise – sub 40 dBA power ON noise, including end-of-stroke stop
- Highly flexible, can change profiles and stroke with only a plunger adjustment
- Stops in mid-air, no end-stop required



PMA™

- Magnetic latching, both extend and retract possible
- Long stroke
- Bi-directional latching options are easily tailored to user needs
- Non-magnetic external components – enables significant packaging flexibility for your application
- Separate high volume and low volume design constructions developed
- Cost drivers reduced to magnet stack and windings
- No screw machine or metallic components required
- Flexible design since case is not in flux path



CamBolt™

- Bi-directional locking solenoid
- Highly resistant to shock and vibration
- Mechanically locks at each end of stroke with no power required
- 2 position linear device
- Can be battery powered
- Small size, short stroke

MagShift® Quiet Solenoids

MagShift® solenoids have several unique characteristics which differentiate this product from other linear open frame and tubular solenoids:

Extremely low noise potential. In a power ON mode, this unit will measure below 40 dBA, including the end-of-travel stop. This is accomplished by the elimination of the hard stop within the solenoid. Instead, the MagShift unit stops magnetically within the body of the solenoid.

No impact forces. As the unit reaches its power ON, end-of-travel position, there is no impact force from the unit. This eliminates potential issues of vibration or product life failures caused by the end-of-travel impact associated with some linear solenoids.

Mechanical over-travel. In a typical linear solenoid, once the power ON position is reached, no further travel of the plunger is possible. With the MagShift, the plunger is able to continue to travel past the electrical ON position when actuated externally by the application.

Higher initial starting forces. Due to the starting position of the plunger, the MagShift solenoid will, in general, have a higher starting force than some linear solenoids. This provides more starting force for a given power level solenoid.

No residual magnetism. Due to the elimination of internal components, the MagShift solenoid has no residual magnetism.

Flexibility. Due to the unique construction of this unit, the same assembly can be configured as either a push or a pull solenoid, allowing for greater flexibility in system design.

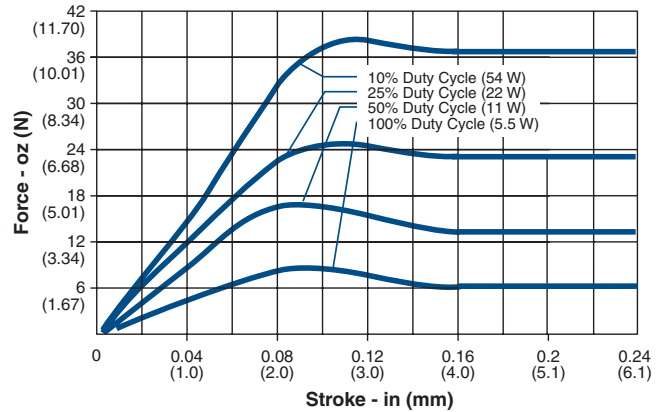
Although the MagShift performance curves will show the solenoid force ramp towards zero in the full power ON position, this unit will still hold a load when in the fully energized position. Due to the hysteresis characteristics of this unit, system return springs and light system loads can be held in the fully energized position, even though the unit will come to a magnetically zero position. This unit is ideally suited for system applications where high holding loads are not required, but where higher starting loads, quiet operation, or no impact vibrations are desired.

Note that the data shown below reflects only one design of this very flexible solenoid family. Please call to discuss your application.

Specifications

Continuous Duty Cycle	100% at 20°C ambient temperature
Intermittent Duty Cycle	See below
Coil Insulation	Class "A": 105°C max. temperature standard. Other temperature classes are available
Coil Termination	Lead wires (other coil terminations available)

Typical Net Force @ 20°C



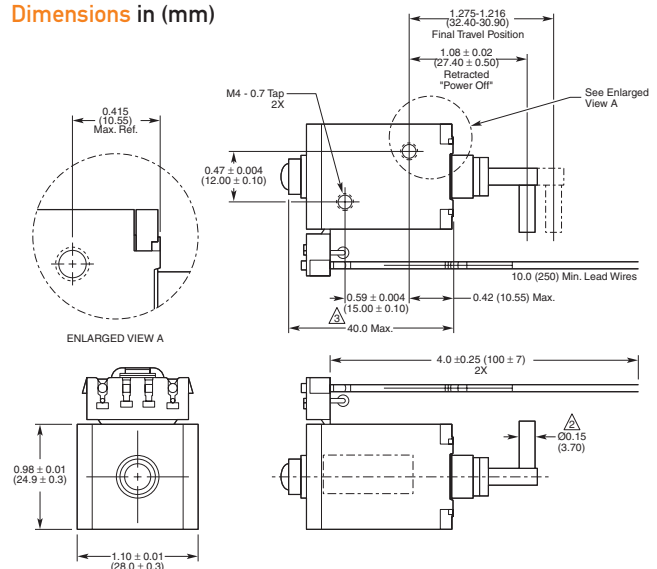
Performance

Maximum Duty Cycle	100%	50%	25%	10%
Maximum ON Time (sec) when pulsed continuously	∞	80	22	8
Maximum ON Time (sec) for single pulse	∞	320	132	48
Watts (@ 20°C)	5.4	10.8	21.6	54
Ampere Turns (@ 20°C)	761	1076	1523	2408

Coil Data

	Resistance (@20°C)	# Turns	Unlatched VDC	VDC (Nom)	VDC (Nom)	VDC (Nom)
29.5 awg	24.97	1650	11.6	16.4	23.2	36.7
30.5 awg	37.90	2004	14.3	20.2	28.6	45.2

Dimensions in (mm)



All specifications subject to change without notice.

PMA™ Bi-Directional Locking Solenoids

- Long stroke latching applications – much longer than traditional linear solenoids
- Permanent magnetic latching design for lock and position control applications – both extend and retract possible
- 2 position, off/on solenoid – no return spring needed
- Flexible design – case is not in flux path; case can be plastic or metal to suit your application
- Higher starting force at long stroke and low power

All catalog products manufactured after April 1, 2006 are RoHS Compliant



Ledex® introduces a new solenoid concept in their PMA family of magnetic latching linear actuators. These unique solenoids utilize permanent magnet technology to produce on/off linear force without the need for any magnetic steel components.

Incorporating a permanent magnet allows the unit to be driven in two directions. The force-stroke curve is relatively flat over the entire length, and is suitable for low power operations.

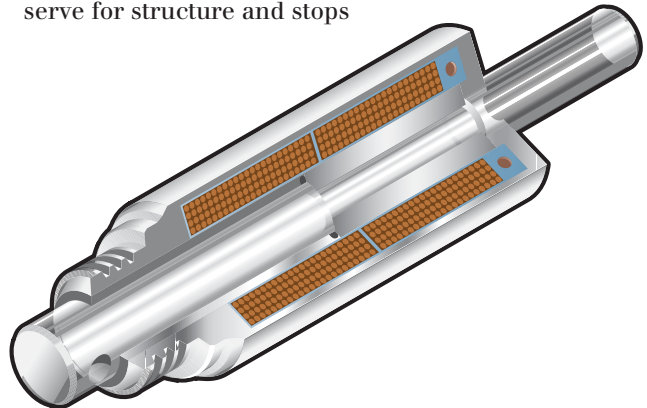
The addition of a steel washer will cause the magnets to latch at either or both ends of the stroke. Long strokes greater than one inch can be achieved with more significant starting forces than traditional DC solenoids.

Other than these steel washers, no metallic components are required which can greatly reduce the mass of the actuator. The units shown in the photo have a metal output shaft and case, but can also be made with plastic. The mass will then be dramatically reduced to primarily the copper coil and magnets.

In direct correlation to the mass, eliminating the need for metallic components allows for significant cost reduction as well. While copper and magnets are still present, the remaining plastic parts will be minimal.

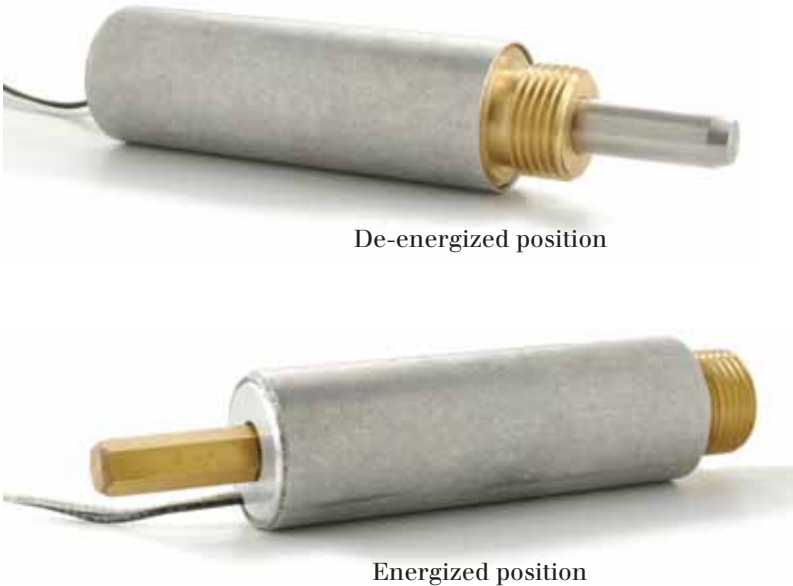
How the PMA Concept works

- PMA solenoid design consists of a coil assembly and an output shaft assembly
- Dual coil, opposite polarity, common wind
- Permanent magnet actuates within field
- Remaining components non-magnetic, only serve for structure and stops



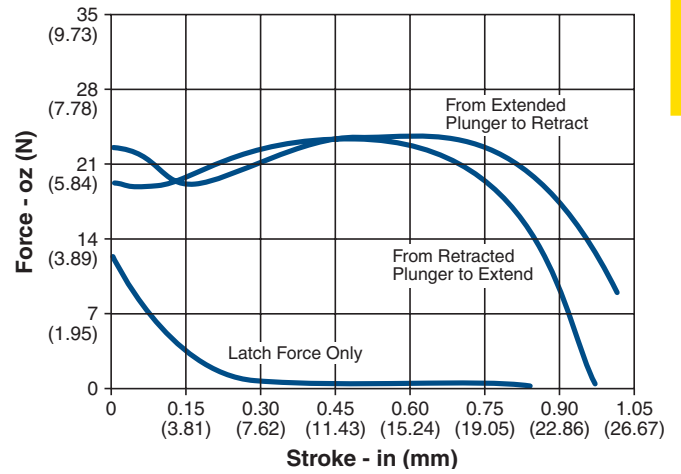
All specifications subject to change without notice.

PMA™ Bi-Directional Locking Solenoids

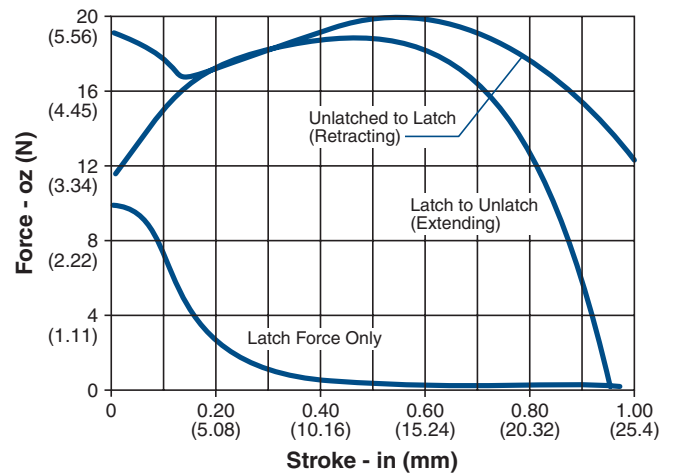


Bi-directional latching performance

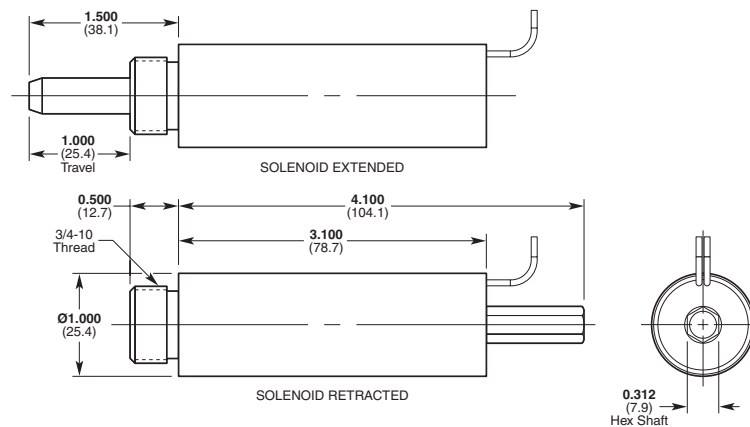
is relatively flat over entire stroke in both directions.



Unidirectional latching performance



Dimensions in (mm)



All specifications subject to change without notice.

CamBolt™ Bi-Directional Locking Actuator

- Two position, bi-directional locking device
- Resistant to vibration, due to rotational driver mechanism, plus potential pole piece attraction
- Small size
- Low power levels

All catalog products manufactured after April 1, 2006 are RoHS Compliant

CamBolt is a bi-directional locking device resistant to shock, vibration, and high manual loads in a power-off state. The CamBolt design uses the rotary motion of a permanent magnet to translate into linear actuation travel.

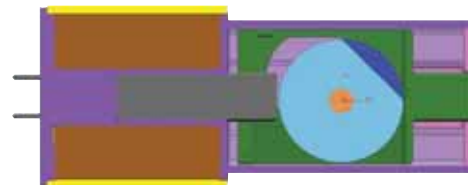
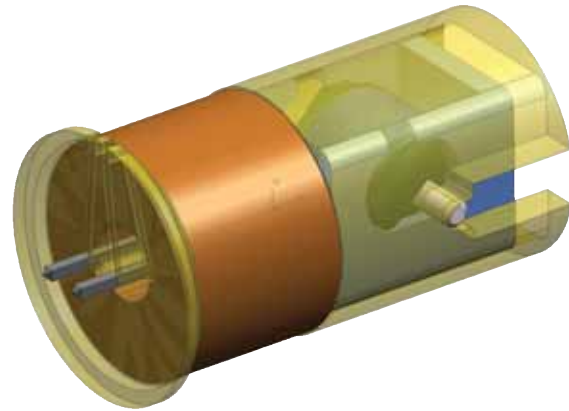
The cam assembly, driven by the magnet's rotation, provides a mechanical lock, preventing any linear movement once end-of-travel is reached. By utilizing the residual magnetism of the magnet within the assembly, the unit will resist any possible shock or vibration forces which may induce rotational movement of the cam. This creates a locking force which is limited only by the shear strength of the housing materials used.

CamBolt is ideal for low power operations. Extremely short duty cycles and low voltage requirements make battery operation possible. With the usage of a permanent magnet, only 1 metallic component is required, greatly reducing product mass.

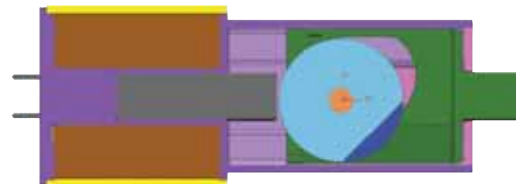
CamBolt does not have a significant force versus stroke profile, therefore, it should be used primarily for uni-directional or bi-directional locking, and not as prime mover.

How it Works

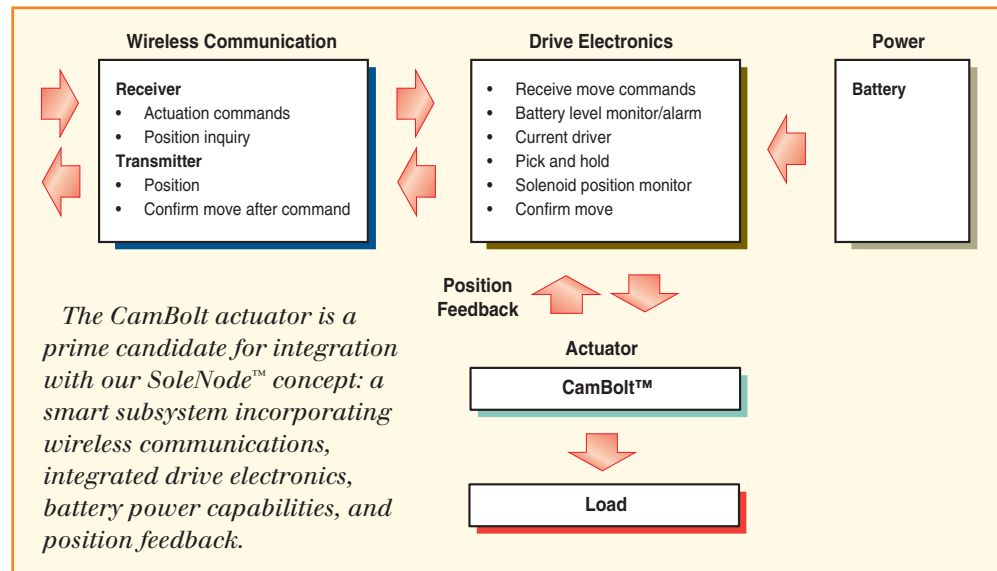
- Rotary actuated magnet drives linear motion actuator through cam geometry
- Rotary magnet driven by coil and small pole piece
- Unit locks in a linear direction via cam geometry (non-reversible angle)



Unlocked (retracted)



Locked (extended)



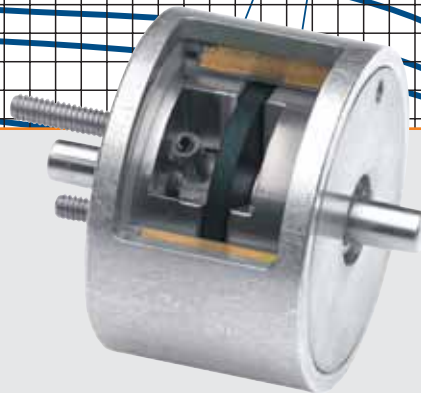
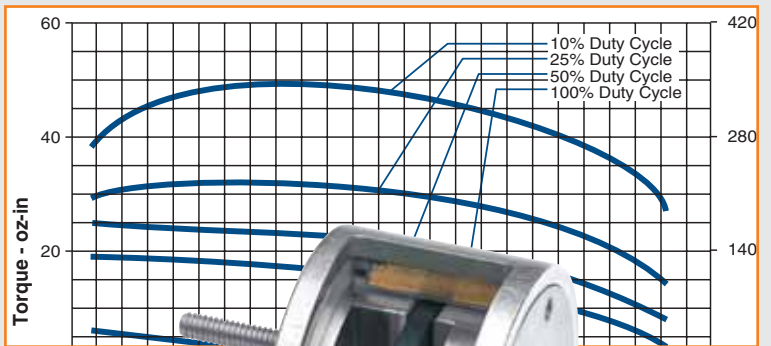
This is a concept overview – please call us to discuss your application.

All specifications subject to change without notice.

Ultimag[®] Rotary Actuators



WARNING: Exposed Magnet may affect pacemakers. In the event a product unit's magnet is exposed due to product disassembly, Pacemaker Wearers should distance themselves 10 feet from exposed magnet.



Ultimag® Rotary Actuators

ROTARY Ultimag®



- Speeds over 100 Hz
- Peak torque of over 225 oz-in
- 100 million actuation life
- Three standard sizes



All catalog products manufactured after April 1, 2006 are RoHS Compliant

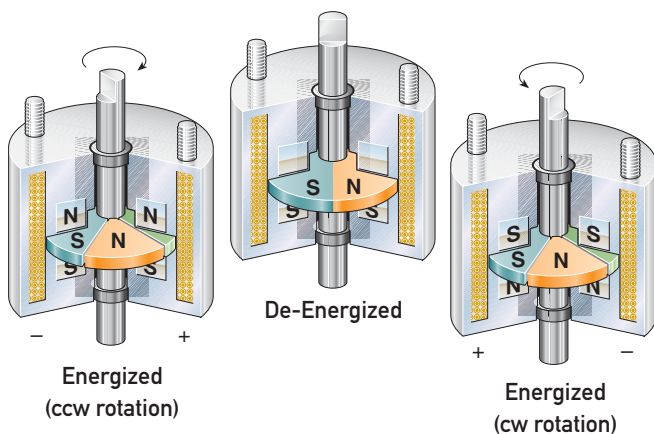
Ultimag® Principle of Operation

Ultimag® operates on the simple principle of attraction and repulsion of opposite and like magnetic poles. The permanent magnetic armature has twice as many poles as the stator. In the de-energized state, the armature poles each share half a stator pole, causing the shaft to seek mid-stroke. When power is applied, the

stator poles are polarized. This attracts half and repels the other half of the armature poles, causing the shaft to rotate. When the voltage is reversed, the stator poles are polarized with the opposite pole. Consequently, the opposite poles of the armature are attracted and repelled, thus causing rotation in the opposite direction.

The Ultimag Series has been developed in response to application needs for higher speed and higher torque motion control components. We have found that many applications require a working stroke less than 360°, yet still employ motors with their associated complex and expensive controls and linkages. As a result, a powerful, extremely fast short stroke actuator has many design advantages for industrial, office automation, automotive and medical applications.

We have been designing and manufacturing world class, innovative motion control components for over 60 years. Our patented Ultimag series is the latest of our state-of-the-art developments in rotary actuation products.



Ultimag[®] Rotary Actuators

The Ultimag[®] Difference

Ultimag[®] offers a bidirectional, center return function not found in rotary solenoids. The Ultimag is substantially faster than other solenoids, and can be operated in an on/off mode or proportionally, in both open loop and closed loop systems.

The Ultimag does not offer 360° of rotation which is definitive of motors. With this stroke limitation in mind, Ultimag provides an inexpensive alternative for limited stroke applications, particularly, when total cost of system control is included.

Ultimag actuators offer a 45° stroke. However, the design is capable of a maximum stroke of 160°. Gears, belts, pulley, etc., can be employed to amplify stroke. In all cases, an increase in stroke will cause a reduction in torque.

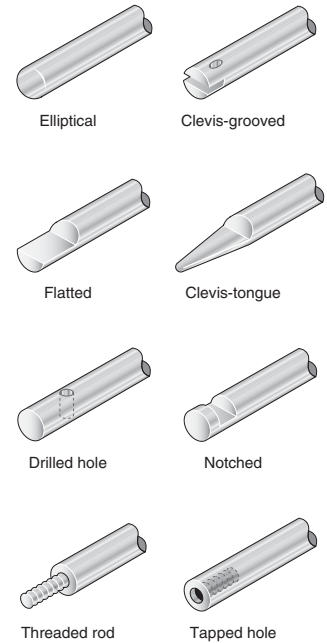
For shorter strokes, electronic or mechanical stops can be used. By having a unit tooled to perform a specific stroke less than 45°, more torque will be obtained.

When adding the Ultimag to your application, the shaft must be supported to avoid stress fractures to the magnet.

Temperature Limitation

The permanent magnet in the Ultimag is NdFeB. For applications running above 130°C, we do not recommend the Ultimag, since the NdFeB magnets irreversibly degrade after reaching a 150°C temperature.

Typical Examples of Custom Features



ROTARY Ultimag[®]

Ultimag Selection Overview

Size	Package Dimensions (in)		Net Starting Torque (lb-in) @ Specified Duty Cycle*				Net Ending Torque (lb-in) @ Specified Duty Cycle*			
	Dia.	Length	100%	50%	25%	10%	100%	50%	25%	10%
			4EM	1.625	1.04	0.88	1.25	1.80	2.88	0.18
5EM	1.937	1.31	2.00	2.88	3.90	6.30	0.32	0.94	2.00	3.88
6EM	2.312	1.60	5.00	6.10	10.00	14.00	2.50	3.80	5.00	7.30

*Note: Torque outputs degrade with elevated temperatures.

How to Use Ultimag Performance Charts

- Select one of the four columns which provides the appropriate duty cycle. (For example 50%.)
- Reading down this column provides a variety of performance and electrical data including maximum on time, watts, and amp turns.
- Following down the column further into the VDC ratings, select the voltage which most closely matches your supply voltage. (For example, 11.5 for a 12 VDC power supply.)
- Read across (to the left) to select the awg suffix to complete the part number when ordering. (In this example using our 5EM chart, 25 awg is required, thus to order, specify: 194644-025.)

Performance

Maximum Duty Cycle*	100%	50%	25%	10%
K_M (oz-in/ $\sqrt{\text{watt}}$)	10.9	9.2	8.2	6.9
Maximum ON Time (sec) when pulsed continuously ¹	∞	40	15	4
Maximum ON Time (sec) for single pulse ²	∞	109	36	10
Typical Energize Time (msec) ³	6.0	5.5	4.5	4.0
Watts (@ 20°C)	2.1	42	84	210
Ampere Turns (@ 20°C)	621	878	1242	1964

Coil Data

avg (0XX) ⁴	Resistance (@20°C)	# Turns ⁵	VDC (Nom)	VDC (Nom)	VDC (Nom)	VDC (Nom)
23	1.05	128	4.7	6.6	9.4	14.8
24	2.24	213	6.9	9.7	13.7	21.7
25	3.16	240	8.1	11.5	16.3	25.8
26	4.45	270	9.7	13.7	19.3	30.6
27	8.50	404	13.4	18.9	26.7	42.2
28	11.90	452	15.8	22.3	31.6	50.0
29	21.10	630	21.0	29.7	42.1	67.0
30	29.50	705	24.9	35.2	49.8	78.7
31	50.30	948	32.5	45.9	65.0	103.0
32	82.70	1232	41.7	58.9	83.0	132.0
33	134.00	1576	53.0	74.9	106.0	168.0

Ultimag® Size 4EM

Part Number: 197124-0XX

All catalog products manufactured after April 1, 2006 are RoHS Compliant

Specifications

Dielectric Strength	1000 VRMS (23 awg); 1200 VRMS (24-33 awg)
Recommended Minimum Heat Sink	Maximum watts dissipated by the Ultimag are based on an unrestricted flow of air at 20°C, with the Ultimag mounted on the equivalent of an aluminum plate measuring 6-1/4" square by 1/8" thick (15.9 cm sq. x 0.32 cm)
Thermal Resistance	7.6°C/watt with heatsink; 15.0°C/watt without heatsink
Rotor Inertia	8.43 x 10 ⁻⁷ (kgm ²)
Peak Torque Rating (Tp)	45 oz.in. (0.32 Nm)
Power Input	145 watts (stalled at Tp; 25°C; Pp)
Number of Phases	1
Static Friction (Tf)	1 oz.in. max. (7mNm)
-3dB Closed Loop	78 Hz
Maximum Winding	180°C
Number of Poles	6
Dimensions:	Ø1.625" x 1.04" L (Ø41.66 mm x 26.3 mm L) See page B10.



Performance

Maximum Duty Cycle	100%	50%	25%	10%
K _M (oz-in./√watt)	5.8	5.1	4.6	4.3
Maximum ON Time (sec) when pulsed continuously ¹	∞	40	15	4
Maximum ON Time (sec) for single pulse ²	∞	108	34	9
Typical Energize Time (msec) ³	6	5	4.5	3.5
Watts (@ 20°C)	14.5	29	58	145
Ampere Turns (@ 20°C)	510	721	1020	1613

Coil Data

awg (0XX) ⁴	Resistance (@20°C)	# Turns ⁵	VDC (Nom)	VDC (Nom)	VDC (Nom)	VDC (Nom)
23	0.71	104	3.2	4.5	6.4	10.1
24	1.54	174	4.7	6.7	9.4	14.9
25	2.15	195	5.6	7.9	11.2	17.6
26	3.01	219	6.6	9.3	13.2	20.9
27	5.78	328	9.2	12.9	18.3	28.9
28	8.09	368	10.8	15.3	21.7	34.3
29	14.40	515	14.5	20.4	28.9	45.7
30	20.11	575	18.9	24.2	37.7	59.6
31	34.40	774	22.3	31.6	44.6	71.0
32	56.60	1008	28.7	40.5	57.0	91.0
33	91.40	1288	36.0	51.5	73.0	115.0

How to Order

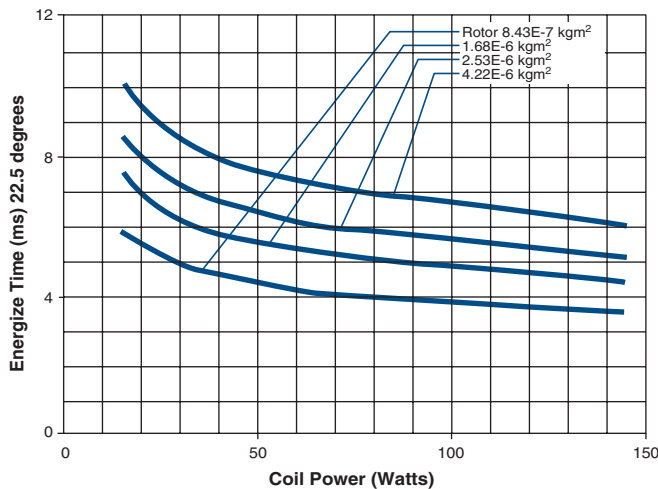
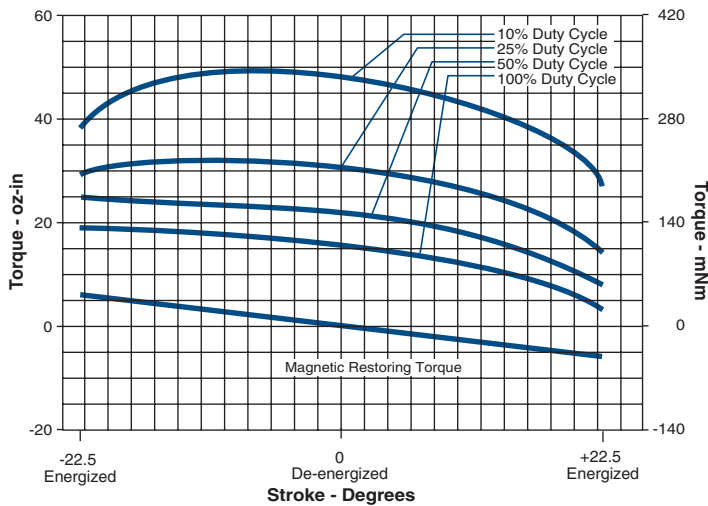
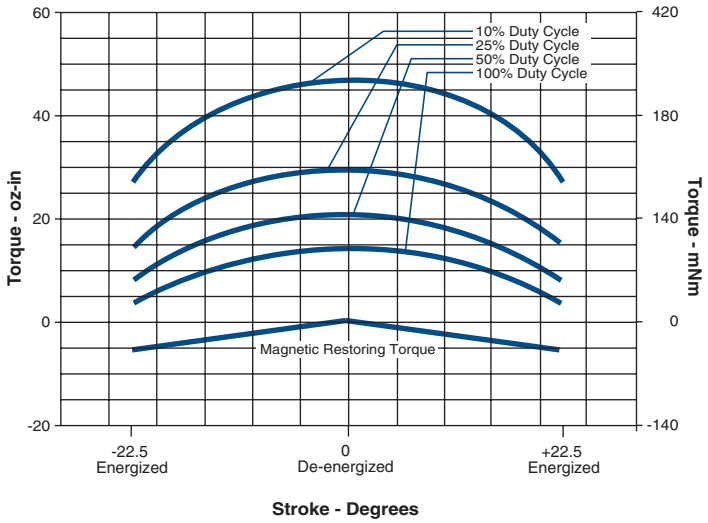
Add the coil awg number (0XX) to the part number (for example: to order a 25% duty cycle rated at 18.5 VDC, specify 197124-027).

Please see www.ledex.com (click on Stock Products tab) for our list of stock products available through our North American distributors.

- ¹ Continuously pulsed at stated watts and duty cycle
- ² Single pulse at stated watts (with coil at ambient room temperature 20°C)
- ³ Typical energize time based on no load condition. Times shown are for half of full rotary stroke starting at center-off position.
- ⁴ Other coil awg sizes available — please consult factory
- ⁵ Reference number of turns

WARNING: Exposed Magnet may affect pacemakers. In the event a product unit's magnet is exposed due to product disassembly, Pacemaker Wearers should distance themselves 10 feet from exposed magnet.

All specifications subject to change without notice.



Graph 1 shows three position operation. In any mode, the armature seeks center of stroke at zero power. Applying a positive or negative voltage causes the shaft to rotate clockwise or counter clockwise. When power is removed, the restoring torque is applied to the load, or alternatively, the shaft can be driven to center under power.

Graph 2 shows operation end-to-end. Note the high starting torque for high starting acceleration or for stopping the load by means of reverse voltage at the end of the stroke. If the device is used in a full stroke application, the load can be externally latched, detented, or biased to either end of stroke.

Graph 3 shows how speed varies with load. Each curve represents a different inertial load, which is a multiple of the armature inertia.

Calculate the inertia of your system, then use this chart to determine Ultimag speed in your application. Inertia determination of simple shapes is shown in most engineering handbooks; complex shapes are calculated in solid modeling software or are measured empirically. This graph represents half of the full rotary stroke starting at the center-off position.

Ultimag® Size 5EM

Part Number: 194644-0XX

All catalog products manufactured after April 1, 2006 are RoHS Compliant

Specifications

Dielectric Strength	1000 VRMS (23 awg); 1200 VRMS (24-33 awg)
Recommended Minimum Heat Sink	Maximum watts dissipated by the Ultimag are based on an unrestricted flow of air at 20°C, with the Ultimag mounted on the equivalent of an aluminum plate measuring 7-1/2" square by 1/8" thick (19.1 cm sq. x 0.32 cm)
Thermal Resistance	5.36°C/watt with heatsink; 12.9°C/watt without heatsink
Rotor Inertia	3.085 x 10 ⁻⁶ (kgm ²)
Peak Torque Rating (Tp)	100 oz.in. (0.7 Nm)
Power Input	210 watts (stalled at Tp; 25°C; Pp)
Number of Phases	1
Static Friction (Tf)	1 oz.in. max. (7mNm)
-3dB Closed Loop	66.5 Hz
Maximum Winding	180°C
Number of Poles	6
Dimensions:	Ø1.937" x 1.25" L max (Ø49.2 mm x 31.75 mm L max) See page B10.



Performance

Maximum Duty Cycle*	100%	50%	25%	10%
K _M (oz-in/√watt)	10.9	9.2	8.2	6.9
Maximum ON Time (sec) when pulsed continuously ¹	∞	40	15	4
Maximum ON Time (sec) for single pulse ²	∞	109	36	10
Typical Energize Time (msec) ³	6.0	5.5	4.5	4.0
Watts (@ 20°C)	2.1	42	84	210
Ampere Turns (@ 20°C)	621	878	1242	1964

Coil Data

awg (0XX) ⁴	Resistance (@20°C)	# Turns ⁵	VDC (Nom)	VDC (Nom)	VDC (Nom)	VDC (Nom)
23	1.05	128	4.7	6.6	9.4	14.8
24	2.24	213	6.9	9.7	13.7	21.7
25	3.16	240	8.1	11.5	16.3	25.8
26	4.45	270	9.7	13.7	19.3	30.6
27	8.50	404	13.4	18.9	26.7	42.2
28	11.90	452	15.8	22.3	31.6	50.0
29	21.10	630	21.0	29.7	42.1	67.0
30	29.50	705	24.9	35.2	49.8	78.7
31	50.30	948	32.5	45.9	65.0	103.0
32	82.70	1232	41.7	58.9	83.0	132.0
33	134.00	1576	53.0	74.9	106.0	168.0

*Not recommended for full stroke at 100% duty cycle.

How to Order

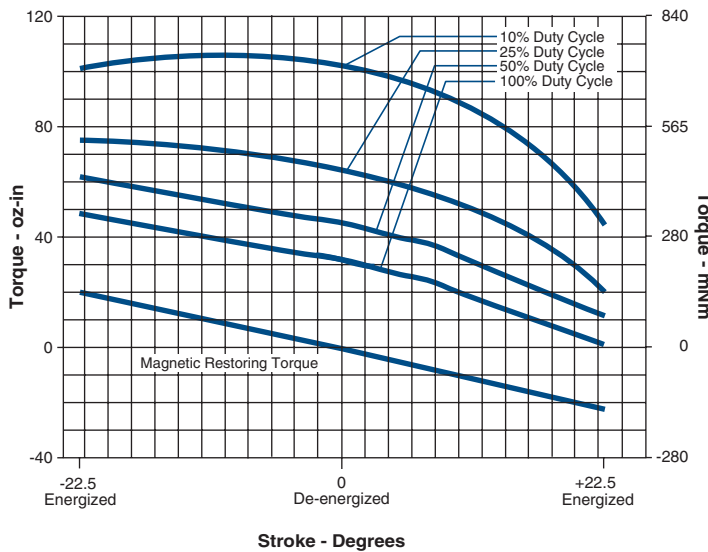
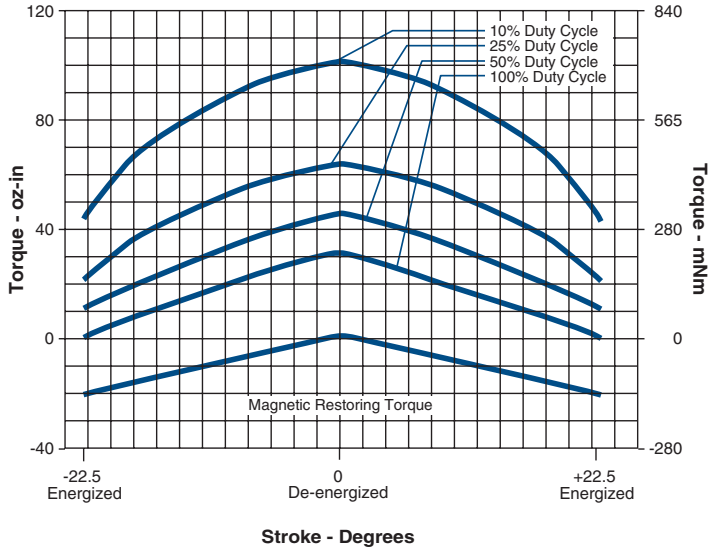
Add the coil awg number (0XX) to the part number (for example: to order a 25% duty cycle rated at 26.7 VDC, specify 194644-027).

Please see www.ledex.com (click on Stock Products tab) for our list of stock products available through our North American distributors.

- ¹ Continuously pulsed at stated watts and duty cycle
- ² Single pulse at stated watts (with coil at ambient room temperature 20°C)
- ³ Typical energize time based on no load condition. Times shown are for half of full rotary stroke starting at center-off position.
- ⁴ Other coil awg sizes available — please consult factory
- ⁵ Reference number of turns

WARNING: Exposed Magnet may affect pacemakers. In the event a product unit's magnet is exposed due to product disassembly, Pacemaker Wearers should distance themselves 10 feet from exposed magnet.

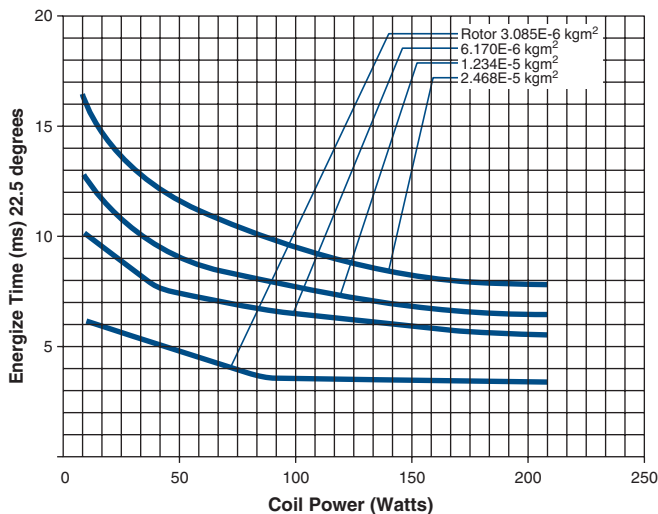
All specifications subject to change without notice.



Graph 1 shows three position operation. In any mode, the armature seeks center of stroke at zero power. Applying a positive or negative voltage causes the shaft to rotate clockwise or counter clockwise. When power is removed, the restoring torque is applied to the load, or alternatively, the shaft can be driven to center under power.

Graph 2 shows operation end-to-end. Note the high starting torque for high starting acceleration or for stopping the load by means of reverse voltage at the end of the stroke. If the device is used in a full stroke application, the load can be externally latched, detented, or biased to either end of stroke.

NOTE: The Size 5EM Ultimag is not recommended for full stroke operation at 100% duty cycle.



Graph 3 shows how speed varies with load. Each curve represents a different inertial load, which is a multiple of the armature inertia.

Calculate the inertia of your system, then use this chart to determine Ultimag speed in your application. Inertia determination of simple shapes is shown in most engineering handbooks; complex shapes are calculated in solid modeling software or are measured empirically. This graph represents half of the full rotary stroke starting at the center-off position.

Ultimag® Size 6EM

Part Number: 197126-0XX

All catalog products manufactured after April 1, 2006 are RoHS Compliant

Specifications

Dielectric Strength	1000 VRMS (23 awg); 1200 VRMS (24-33 awg)
Recommended Minimum Heat Sink	Maximum watts dissipated by the Ultimag are based on an unrestricted flow of air at 20°C, with the Ultimag mounted on the equivalent of an aluminum plate measuring 12-3/8" square by 1/8" thick (31.43 cm sq. x 0.32 cm)
Thermal Resistance	3.58°C/watt with heatsink; 8.52°C/watt without heatsink
Rotor Inertia	5.676 x 10 ⁻⁶ (kgm ²)
Peak Torque Rating (Tp)	225 oz.in. (1.6 Nm)
Power Input	320 watts (stalled at Tp: 25°C; Pp)
Number of Phases	1
Static Friction (Tf)	1 oz.in. max. (7mNm)
-3dB Closed Loop	12.8 Hz
Maximum Winding	180°C
Number of Poles	6
Dimensions:	Ø2.312" x 1.60" L (Ø58.72 mm x 40.6 mm L) See page B10.



Performance

Maximum Duty Cycle	100%	50%	25%	10%
Maximum ON Time (sec) when pulsed continuously ¹	∞	40	15	5
Maximum ON Time (sec) for single pulse ²	∞	143	47	11
Typical Energize Time (msec) ³	17	12	10.5	8.5
Watts (@ 20°C)	32	64	128	320
Ampere Turns (@ 20°C)	980	1386	1960	3100

Coil Data

awg (0XX) ⁴	Resistance (@20°C)	# Turns ⁵	VDC (Nom)	VDC (Nom)	VDC (Nom)	VDC (Nom)
23	2.65	267	9.2	13.0	18.4	29.1
24	5.02	396	12.7	17.9	25.4	40.1
25	7.03	444	15.0	21.2	30.0	47.4
26	12.60	625	20.1	28.4	40.2	63.5
27	17.60	700	23.8	33.6	47.5	75.1
28	29.90	936	30.9	43.7	61.9	97.8
29	49.50	1225	39.8	56.3	80.0	126.0
30	79.70	1560	51.0	71.4	101.0	160.0
31	126.50	1962	64.0	90.0	127.0	201.0
32	198.30	2440	80.0	112.6	159.0	252.0
33	306.20	2992	99.0	140.0	198.0	313.0

How to Order

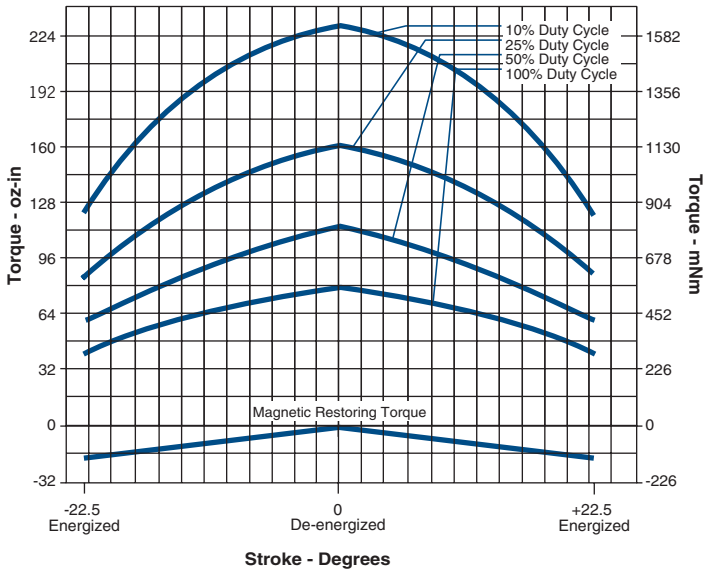
Add the coil awg number (0XX) to the part number (for example: to order a 25% duty cycle rated at 25.4 VDC, specify 197126-024).

Please see www.ledex.com (click on Stock Products tab) for our list of stock products available through our North American distributors.

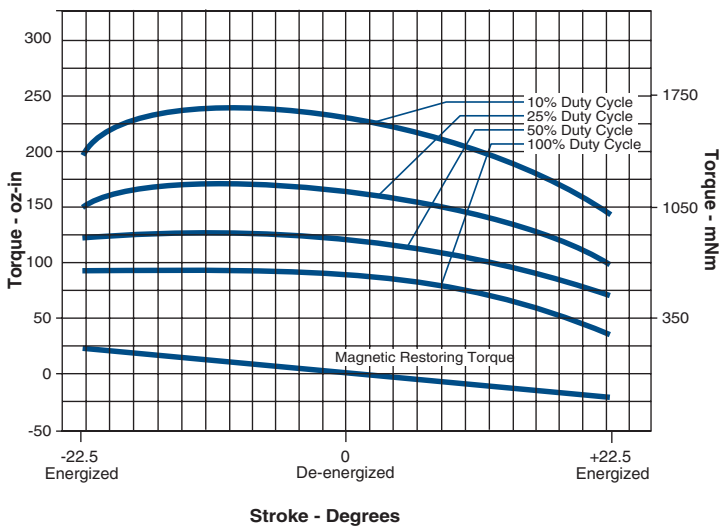
- ¹ Continuously pulsed at stated watts and duty cycle
- ² Single pulse at stated watts (with coil at ambient room temperature 20°C)
- ³ Typical energize time based on no load condition. Times shown are for half of full rotary stroke starting at center-off position.
- ⁴ Other coil awg sizes available — please consult factory
- ⁵ Reference number of turns

WARNING: Exposed Magnet may affect pacemakers. In the event a product unit's magnet is exposed due to product disassembly, Pacemaker Wearers should distance themselves 10 feet from exposed magnet.

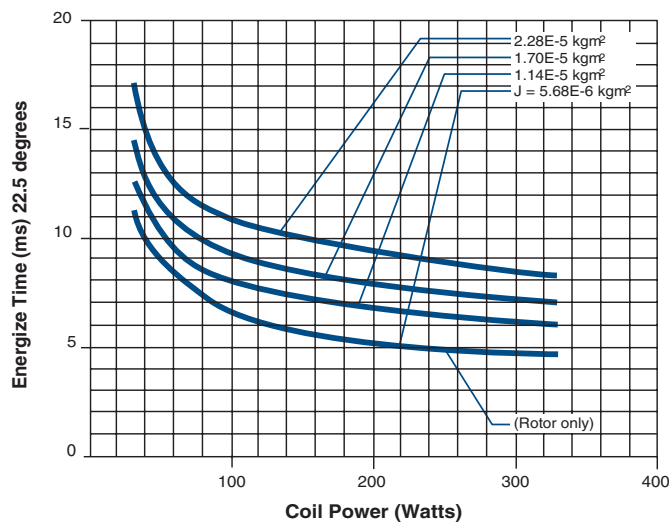
All specifications subject to change without notice.



Graph 1 shows three position operation. In any mode, the armature seeks center of stroke at zero power. Applying a positive or negative voltage causes the shaft to rotate clockwise or counter clockwise. When power is removed, the restoring torque is applied to the load, or alternatively, the shaft can be driven to center under power.



Graph 2 shows operation end-to-end. Note the high starting torque for high starting acceleration or for stopping the load by means of reverse voltage at the end of the stroke. If the device is used in a full stroke application, the load can be externally latched, detented, or biased to either end of stroke.



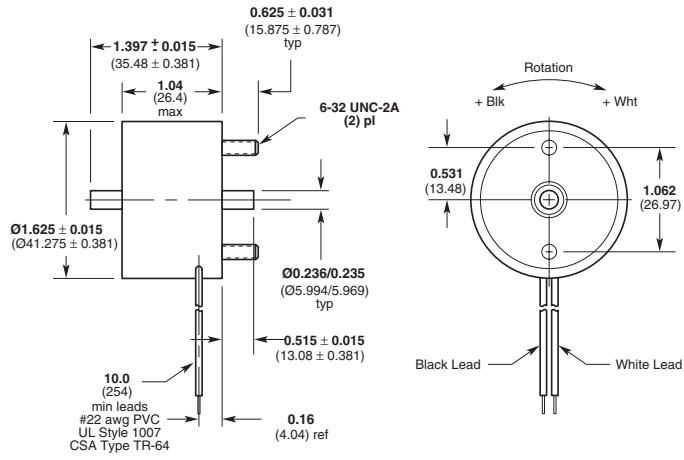
Graph 3 shows how speed varies with load. Each curve represents a different inertial load, which is a multiple of the armature inertia.

Calculate the inertia of your system, then use this chart to determine Ultimag speed in your application. Inertia determination of simple shapes is shown in most engineering handbooks; complex shapes are calculated in solid modeling software or are measured empirically. This graph represents half of the full rotary stroke starting at the center-off position.

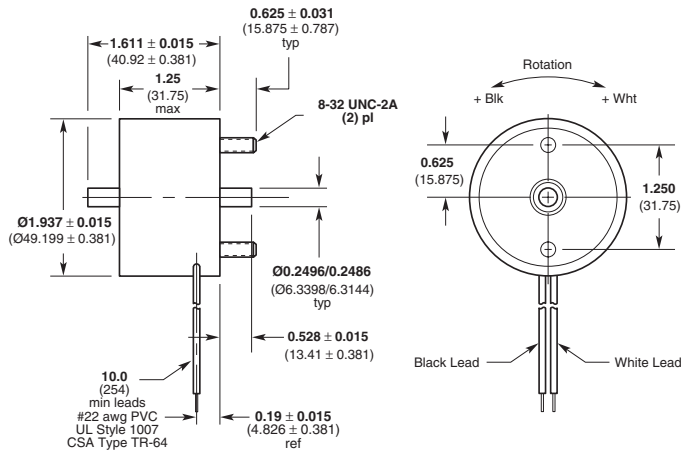
Ultimag[®] Dimensions

inches (mm)

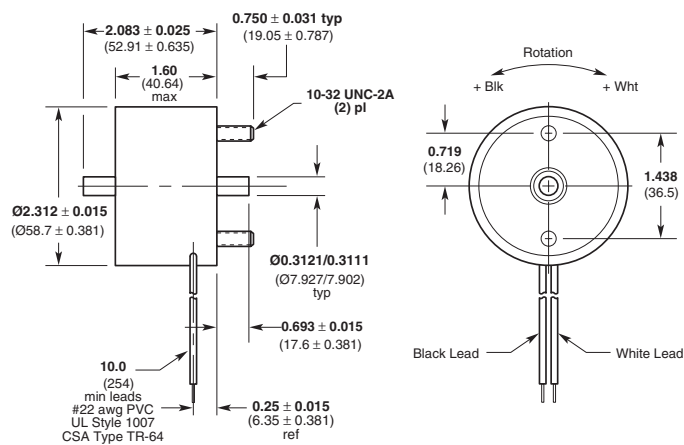
4EM



5EM

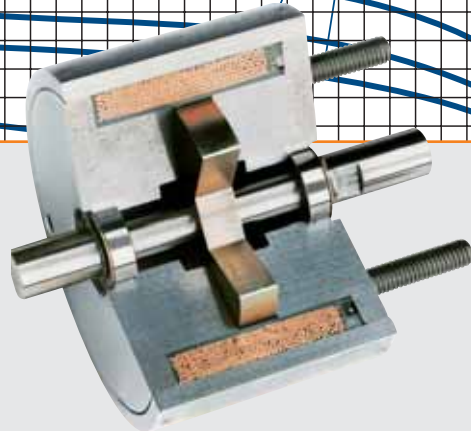
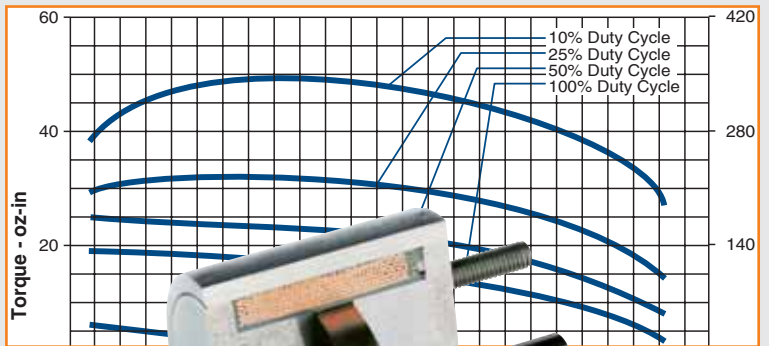


6EM



All specifications subject to change without notice.

BTA[®] Rotary Actuators

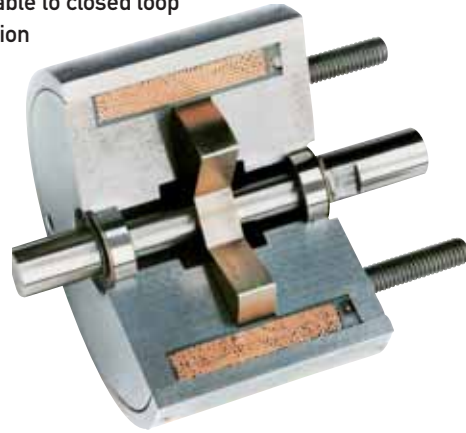


BTA® Brushless Torque Actuators

ROTARY BTA®



- Controllable velocity and position
- Quiet, shock-free operation
- 100+ million cycle life
- No axial stroke
- Adaptable to closed loop operation
- Completely enclosed construction
- Excellent unit-to-unit performance consistency
- Low power consumption



All catalog products manufactured after April 1, 2006 are RoHS Compliant

BTA Principle of Operation

The BTA has a single phase coil with three stator poles and matching rotor poles. When the coil is energized, the poles align along the flux path. With the three pole design, it is possible to have a stroke of up to 45°. In practical usage, external stops should be used to attain maximum unit life. Subsequently, the stroke angle is slightly shorter. Use of such mechanical

stops also serve to limit the actuator stroke to its optimum stroke/torque capacity. By not requiring full stroke actuation, the BTA offers maximum design flexibility across a wide range of stroke angles and torque requirements.

BTA rotary, non-axial stroke actuators are a good solution for applications requiring reliable, low hysteresis operation with a good torque profile as

required for proportional operation.

Using simple pulse width modulation (PWM) to control coil current, the BTA allows open or closed loop velocity and position control. Such proportional control is ideal for silent, shock-free actuation applications. (In open loop applications, PWM improves hysteresis over variable DC voltage control.)

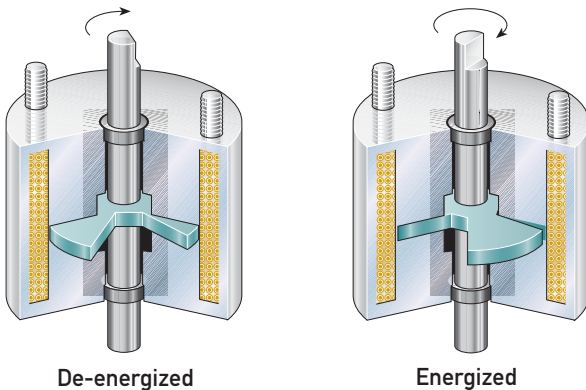
The addition of position feedback, and the subsequent improved system stiffness and accuracy, enables the BTA to be used in closed loop applications.

The bearing system consists of two ball-type bearings which are key to low hysteresis operation.

Quiet

The BTA can operate virtually noise free. Electronically controlled, the BTA provides soft, shock-free cycling without the noise associated with end-of-stroke mechanical stops.

For machines such as the mail sorter pictured at right, which utilizes hundreds of these actuators, the BTA is used in conjunction with cushioned external stops to minimize noise and extend the unit's life to that of the precision ball bearings.



BTA[®] Brushless Torque Actuators

Rapid Cycling

The BTA actuator requires only milliseconds to rotate through its entire stroke. It can maintain this extremely fast operating speed repetitively without diminishing accuracy or repeatability, or reducing the overall life of the unit.

Rugged

The BTA design eliminates the axial travel associated with conventional rotary actuators. In so doing, the BTA eliminates loading on associated mechanical linkages, and reduces the number of moving parts and the wear they receive. The BTA is self-contained in an industry standard size which enables easy mounting and interchangeability. The unit is permanently lubricated and requires no adjustment or maintenance over its entire life.

Powerful . . . with Less Power

The BTA actuator offers considerably more torque than comparable sized rotary actuator designs.

Even with its high torque output, the BTA requires 40% less power input than competitive units. On high volume applications such as this mail sorter, the BTA conserves as much as 18.9 watts per actuator cycle.

Design Considerations

Performance Curves

The torque curves on the following pages are typical data taken with a 20°C coil and have not been derated. Typical derating factors are 30% due to coil heating.

Duty Cycle

Duty cycle is determined by: ON time/(ON + OFF time).

For example: an actuator operated for 30 seconds, then off for 90 seconds.
 $30 \text{ sec ON} / (30 \text{ Sec ON} + 90 \text{ sec OFF}) = 30/120 = 1/4 \text{ or } 25\% \text{ duty cycle}$

BTA actuators are rated for various duty cycles ranging from continuous to 10% duty.

Life

When selecting a BTA actuator, as with any other style, it is important to consider the effects of heat on life. When used with a constant voltage supply, an increase in coil temperature reduces the work output and the life of the unit. Standard life is more than 100,000,000 cycles.

Power Requirements

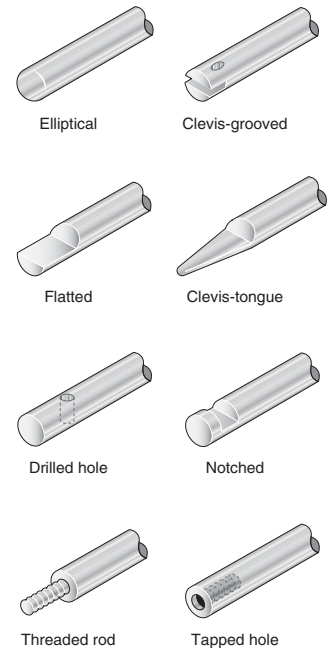
Voltage applied to the actuator must be matched to the coil wire size for proper operation. Actuators are cataloged in coil awgs ranging from #23 up to #35 to accommodate your input power. Refer to the individual model specification pages for coil wire awg recommendations. Many other coil awg sizes are available. Please feel free to contact our application engineering department for availability.

Options and Modified Designs

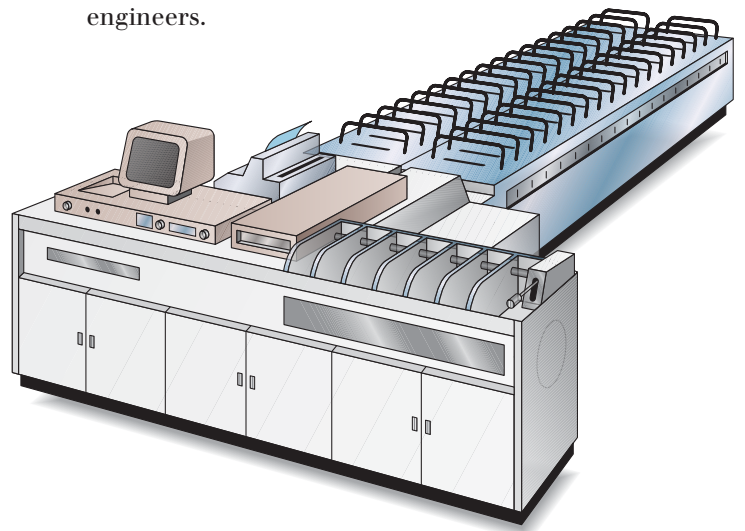
Even though our standard BTAs are in stock, our customers often require a product with unique features or performance capabilities. In fact, almost 80% of all products that we make are either modified or custom built to meet our customers' exact application requirements.

So, if you don't find what you're looking for in the catalog, give us a call to discuss your needs with one of our application engineers.

Typical Examples of Custom Features



ROTARY BTA[®]



BTA® Selection

Brushless Torque Actuators are available in five sizes. Use the selection overview chart to determine which size offers the desired performance and mechanical specifications. Refer to the individual size specification pages for complete performance and mechanical data.


BTA Selection Overview

Size	Package Dimensions (in)		Maximum Stroke (degrees)	Gross Starting Torque (lb-in) @ Specified Duty Cycle				Gross Ending Torque (lb-in) @ Specified Duty Cycle			
	Dia.	Length		100%	50%	25%	10%	100%	50%	25%	10%
	2EV ●	1.188	0.719	45	N/A*	0.28	0.50	1.00	N/A*	0.19	0.33
3EV	1.375	0.890	45	0.28	0.45	0.84	1.66	0.22	0.31	0.53	0.88
4EV	1.625	1.055	45	0.40	0.92	1.60	2.85	0.36	0.64	1.00	1.60
5EV	1.937	1.265	45	1.36	2.36	3.72	6.00	1.04	1.64	2.60	4.20
6EV	2.312	1.625	45	3.40	5.80	8.60	12.90	2.00	3.70	5.00	7.00

All data is at 20°C coil temperature. Torque outputs degrade with elevated temperatures.

* Not recommended for 100% duty.

● Well-suited for battery operation.



See the "Battery Operated Solenoids" section for complete information.

How to Use BTA Performance Charts

- Select one of the four columns which provides the appropriate duty cycle. (For example 50%.)
- Reading down this column provides a variety of performance and electrical data including maximum on time, watts, and amp turns.
- Following down the column further into the VDC ratings, select the voltage which most closely matches your supply voltage. (For example, 7.6 for an 8 VDC power supply.)
- Read across (to the left) to select the awg suffix to complete the part number when ordering. (In this example using our 2EV chart, 28 awg is required, thus to order, specify: 195190-028.

Performance

	100%	50%	25%	10%
Maximum Duty Cycle	∞	100	36	7
Maximum ON Time (sec) when pulsed continuously	∞	162	44	8
Maximum ON Time (sec) for single pulse	20	15	11	8
Typical Energize Time (msec)	10	20	40	100
Watts (@ 20°C)	331	469	663	1048

Coil Data

awg (0XX) ⁴	Resistance (@20°C)	# Turns ⁵	VDC (Nom)	VDC (Nom)	VDC (Nom)	VDC (Nom)
24	0.47	72	2.2	3.1	4.3	6.9
25	0.67	82	2.6	3.7	5.2	8.2
26	0.94	92	3.1	4.3	6.1	9.7
27	1.33	104	3.6	5.2	7.3	11.5
28	2.86	174	5.4	7.6	10.7	16.9
29	4.01	195	6.3	9.0	12.7	20.0
30	7.69	292	8.8	12.4	17.5	27.7
31	10.80	328	10.4	14.7	20.8	32.9
32	19.26	460	13.9	19.6	27.8	43.9
33	26.96	515	16.4	23.2	32.8	52.0
34	45.82	690	21.4	30.3	42.8	68.0
35	63.76	768	25.3	35.7	50.0	80.0

BTA[®] Size 2EV

Part Numbers: Clockwise Rotation 195190-0XX
Counter-Clockwise Rotation 195622-0XX

All catalog products manufactured after April 1, 2006 are RoHS Compliant

Performance

Maximum Duty Cycle*	50%	25%	10%		
Maximum ON Time (sec)	15	6	2		
when pulsed continuously ¹					
Maximum ON Time (sec)	44	15	4		
for single pulse ²					
Typical Energize Time (msec) ³	15	11	8		
Watts (@ 20°C)	20	40	100		
Ampere Turns (@ 20°C)	469	663	1048		
Coil Data					
awg (0XX) ⁴	Resistance (@20°C)	# Turns ⁵	VDC (Nom)	VDC (Nom)	VDC (Nom)
24	0.47	72	3.1	4.3	6.9
25	0.67	82	3.7	5.2	8.2
26	0.94	92	4.3	6.1	9.7
27	1.33	104	5.2	7.3	11.5
28	2.86	174	7.6	10.7	16.9
29	4.01	195	9.0	12.7	20.0
30	7.69	292	12.4	17.5	27.7
31	10.80	328	14.7	20.8	32.9
32	19.26	460	19.6	27.8	43.9
33	26.96	515	23.2	32.8	52.0
34	45.82	690	30.3	42.8	68.0
35	63.76	768	35.7	50.0	80.0

*Not recommended for 100% duty cycle.

- Well-suited for battery operation.



See the "Battery Operated Solenoids" section for complete information.

Specifications

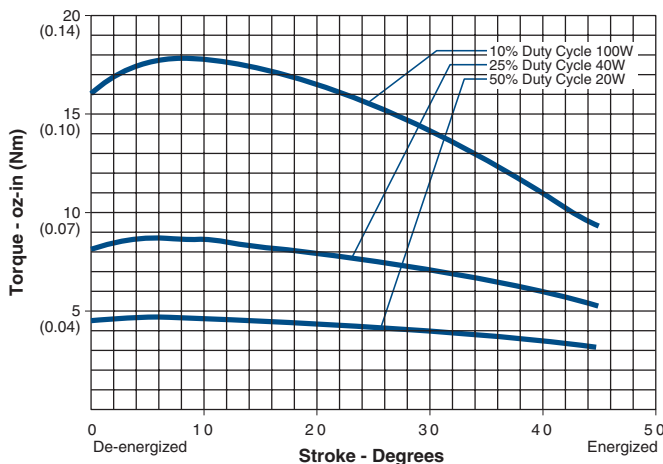
Dielectric Strength	1000 VRMS
Recommended Minimum Heat Sink	Maximum watts dissipated by solenoid are based on an unrestricted flow of air at 20°C, with solenoid mounted on the equivalent of an aluminum plate measuring 3-3/8" square by 1/8" thick
Thermal Resistance	10.8 (°C/watt)
Rotor Inertia	2.56 (gm-cm ²)
Weight	3.0 oz (85 gms)
Dimensions	Ø1.188" x 0.719" (See page C10)

How to Order

Add the coil awg number (0XX) to the part number (for example: to order a 25% duty cycle clockwise rotation unit rated at 12.7 VDC, specify 195190-029).

Please see www.ledex.com (click on Stock Products tab) for our list of stock products available through our North American distributors.

Size 2EV — Typical Torque @ 20°C



- Continuously pulsed at stated watts and duty cycle
- Single pulse at stated watts (with coil at ambient room temperature 20°C)
- Typical energize time based on a 0.5 oz-in torque load including 14 gm-cm² of inertia
- Other coil awg sizes available — please consult factory
- Reference number of turns

Notes:

Torque curves shown are without spring.
Typical standard spring has a torque of 1.0 oz-in.
Torque values are for reference only.

All specifications subject to change without notice.

BTA® Size 3EV

Part Numbers: Clockwise Rotation 195191-0XX
Counter-Clockwise Rotation 195623-0XX

All catalog products manufactured after April 1, 2006 are RoHS Compliant

ROTARY BTA®

Performance

Maximum Duty Cycle	100%	50%	25%	10%
Maximum ON Time (sec)	∞	10	3	1
when pulsed continuously ¹				
Maximum ON Time (sec)	∞	26	10	4
for single pulse ²				
Typical Energize Time (msec) ³	25	17	12	9
Watts (@ 20°C)	13	26	52	130
Ampere Turns (@ 20°C)	362	512	729	1,144

Coil Data

avg (0XX) ⁴	Resistance (@20°C)	# Turns ⁵	VDC (Nom)	VDC (Nom)	VDC (Nom)	VDC (Nom)
23	0.26	44	1.9	2.6	3.7	5.9
24	0.38	50	2.2	3.1	4.4	7.0
25	0.53	56	2.6	3.7	5.2	8.3
26	1.54	126	4.5	6.3	9.0	14.2
27	2.15	140	5.3	7.5	10.6	16.7
28	3.04	158	6.3	8.9	12.6	19.9
29	4.24	176	7.4	10.5	14.9	23.5
30	9.16	297	10.9	15.4	21.8	34.5
31	12.90	333	12.9	18.3	25.9	40.9
32	18.04	372	15.3	21.6	30.6	48.4
33	34.10	552	21.0	29.8	42.1	66.5
34	47.70	616	25.0	35.2	49.8	78.7

Specifications

Dielectric Strength	1,000 VRMS (23-28 awg); 1,200 VRMS (29-34 awg)
Recommended Minimum Heat Sink	Maximum watts dissipated by solenoid are based on an unrestricted flow of air at 20°C, with solenoid mounted on the equivalent of an aluminum plate measuring 4-5/8" square by 1/8" thick
Thermal Resistance	8.53 (°C/watt)
Rotor Inertia	9.14 (gm-cm ²)
Weight	5.0 oz (142 gms)
Dimensions	Ø1.375" x 0.890" (See page C10)

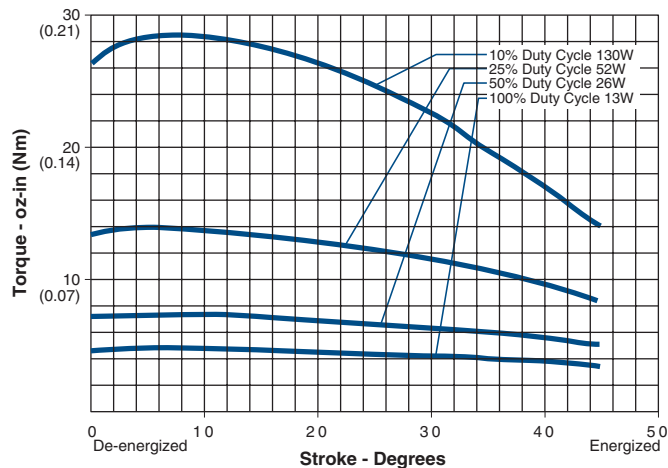
How to Order

Add the coil awg number (0XX) to the part number (for example: to order a 25% duty cycle clockwise rotation unit rated at 25.9 VDC, specify 195191-031).

Please see www.ledex.com (click on Stock Products tab) for our list of stock products available through our North American distributors.

- Continuously pulsed at stated watts and duty cycle
- Single pulse at stated watts (with coil at ambient room temperature 20°C)
- Typical energize time based on a 0.8 oz-in torque load including 14 gm-cm² of inertia
- Other coil awg sizes available — please consult factory
- Reference number of turns

Size 3EV — Typical Torque @ 20°C



Notes:

- Torque curves shown are without spring.
- Typical standard spring has a torque of 1.9 oz-in.
- Torque values are for reference only.

All specifications subject to change without notice.

BTA[®] Size 4EV

Part Numbers: Clockwise Rotation 190834-0XX
Counter-Clockwise Rotation 195624-0XX

All catalog products manufactured after April 1, 2006 are RoHS Compliant

Performance

Maximum Duty Cycle	100%	50%	25%	10%
Maximum ON Time (sec) when pulsed continuously ¹	∞	40	15	4
Maximum ON Time (sec) for single pulse ²	∞	108	34	9
Typical Energize Time (msec) ³	27	19	14	10
Watts (@ 20°C)	14.5	29	58	145
Ampere Turns (@ 20°C)	510	721	1020	1613

Coil Data

awg (0XX) ⁴	Resistance (@20°C)	# Turns ⁵	VDC (Nom)	VDC (Nom)	VDC (Nom)	VDC (Nom)
23	0.71	104	3.2	4.5	6.4	10.1
24	1.54	174	4.7	6.7	9.4	14.9
25	2.15	195	5.6	7.9	11.2	17.6
26	3.01	219	6.6	9.3	13.2	20.9
27	5.78	328	9.2	12.9	18.3	28.9
28	8.09	368	10.8	15.3	21.7	34.3
29	14.40	515	14.5	20.4	28.9	45.7
30	20.11	575	18.9	26.7	37.7	59.6
31	34.40	774	22.3	31.6	44.6	71.0
32	56.60	1008	28.7	40.5	57.0	91.0
33	91.40	1288	36.0	52.0	73.0	115.0

Specifications

Dielectric Strength	1000 VRMS (23-24 awg); 1200 VRMS (25-33 awg)
Recommended Minimum Heat Sink	Maximum watts dissipated by solenoid are based on an unrestricted flow of air at 20°C, with solenoid mounted on the equivalent of an aluminum plate measuring 6-1/4" square by 1/8" thick
Thermal Resistance	7.63 (°C/watt)
Rotor Inertia	13.92 (gm-cm ²)
Weight	8.0 oz (227 gms)
Dimensions	Ø1.625" x 1.055" (See page C10)

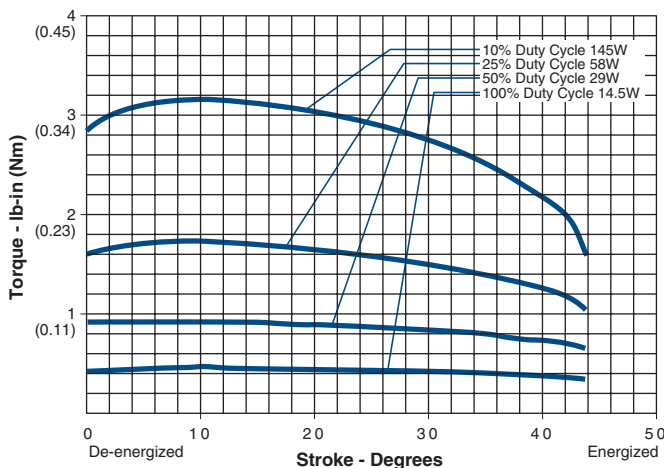
How to Order

Add the coil awg number (0XX) to the part number (for example: to order a 25% duty cycle clockwise rotation unit rated at 15.2 VDC, specify 190834-026).

Please see www.ledex.com (click on Stock Products tab) for our list of stock products available through our North American distributors.

- Continuously pulsed at stated watts and duty cycle
- Single pulse at stated watts (with coil at ambient room temperature 20°C)
- Typical energize time based on a 2.4 oz-in torque load including 14 gm-cm² of inertia
- Other coil awg sizes available — please consult factory
- Reference number of turns

Size 4EV — Typical Torque @ 20°C



Notes:

- Torque curves shown are without spring.
- Typical standard spring has a torque of 3.0 oz-in.
- Torque values are for reference only.

All specifications subject to change without notice.

BTA® Size 5EV

Part Numbers: Clockwise Rotation 190835-0XX
Counter-Clockwise Rotation 195625-0XX

All catalog products manufactured after
April 1, 2006 are RoHS Compliant

ROTARY BTA®

Performance

	100%	50%	25%	10%		
Maximum Duty Cycle	100%	50%	25%	10%		
Maximum ON Time (sec)	∞	40	15	4		
when pulsed continuously ¹						
Maximum ON Time (sec)	∞	109	36	10		
for single pulse ²						
Typical Energize Time (msec) ³	27	18	14	10		
Watts (@ 20°C)	21	42	84	210		
Ampere Turns (@ 20°C)	621	878	1242	1964		
Coil Data						
awg (0XX) ⁴	Resistance (@20°C)	# Turns ⁵	VDC (Nom)	VDC (Nom)	VDC (Nom)	VDC (Nom)
23	1.05	128	4.7	6.6	9.4	14.8
24	2.24	213	6.9	9.7	13.7	21.7
25	3.16	240	8.1	11.5	16.3	25.8
26	4.45	270	9.7	13.7	19.3	30.6
27	8.50	404	13.4	18.9	26.7	42.2
28	11.90	452	15.8	22.3	31.6	50.0
29	21.10	630	21.0	29.7	42.1	67.0
30	29.50	705	24.9	35.2	49.8	78.7
31	50.30	948	32.5	46.0	65.0	103.0
32	82.70	1232	41.7	59.0	83.0	132.0
33	134.00	1576	53.0	75.0	106.0	168.0

Specifications

Dielectric Strength	1000 VRMS (23 awg); 1200 VRMS (24-33 awg)
Recommended Minimum Heat Sink	Maximum watts dissipated by solenoid are based on an unrestricted flow of air at 20°C, with solenoid mounted on the equivalent of an aluminum plate measuring 7-1/2" square by 1/8" thick
Thermal Resistance	5.36 (°C/watt)
Rotor Inertia	30.36 (gm-cm ²)
Weight	13.5 oz (382 gms)
Dimensions	Ø1.937" x 1.265" (See page C10)

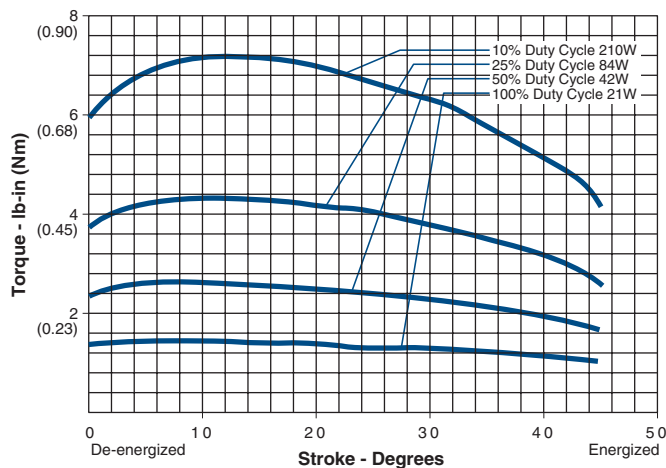
How to Order

Add the coil awg number (0XX) to the part number (for example: to order a 25% duty cycle clockwise rotation unit rated at 26.7 VDC, specify 190835-027).

Please see www.ledex.com (click on Stock Products tab) for our list of stock products available through our North American distributors.

- Continuously pulsed at stated watts and duty cycle
- Single pulse at stated watts (with coil at ambient room temperature 20°C)
- Typical energize time based on a 5.0 oz-in torque load including 14 gm-cm² of inertia
- Other coil awg sizes available — please consult factory
- Reference number of turns

Size 5EV — Typical Torque @ 20°C



Notes:

- Torque curves shown are without spring.
- Typical standard spring has a torque of 4.0 oz-in.
- Torque values are for reference only.

All specifications subject to change without notice.

BTA[®] Size 6EV

Part Numbers: Clockwise Rotation 190836-0XX
Counter-Clockwise Rotation 195626-0XX

All catalog products manufactured after April 1, 2006 are RoHS Compliant

Performance

	100%	50%	25%	10%		
Maximum Duty Cycle	100%	50%	25%	10%		
Maximum ON Time (sec)	∞	40	15	5		
when pulsed continuously ¹						
Maximum ON Time (sec)	∞	143	47	11		
for single pulse ²						
Typical Energize Time (msec) ³	48	21	15	11		
Watts (@ 20°C)	32	64	128	320		
Ampere Turns (@ 20°C)	980	1386	1960	3100		
Coil Data						
avg (0XX) ⁴	Resistance (@20°C)	# Turns ⁵	VDC (Nom)	VDC (Nom)	VDC (Nom)	VDC (Nom)
23	2.65	267	9.2	13.0	18.4	29.1
24	5.02	396	12.7	17.9	25.4	40.1
25	7.03	444	15.0	21.2	30.0	47.4
26	12.60	625	20.1	28.4	40.2	63.5
27	17.60	700	23.8	33.6	47.5	75.1
28	29.90	936	30.9	43.7	61.9	97.8
29	49.50	1225	39.8	56.0	80.0	126.0
30	79.70	1560	51.0	71.0	101.0	160.0
31	126.50	1962	64.0	90.0	127.0	201.0
32	198.30	2440	80.0	113.0	159.0	252.0
33	306.20	2992	99.0	140.0	198.0	313.0

Specifications

Dielectric Strength	1,000 VRMS (23 awg); 1200 VRMS (24-33 awg)
Recommended Minimum Heat Sink	Maximum watts dissipated by solenoid are based on an unrestricted flow of air at 20°C. with solenoid mounted on the equivalent of an aluminum plate measuring 12-3/8" square by 1/8" thick
Thermal Resistance	3.58 (°C/watt)
Rotor Inertia	67.15 (gm-cm ²)
Weight	25.0 oz (709 gms)
Dimensions	Ø2.312" x 1.625" (See page C10)

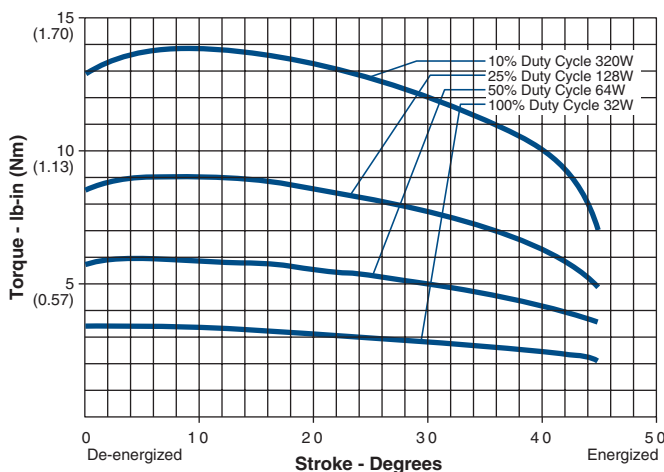
How to Order

Add the coil awg number (0XX) to the part number (for example: to order a 25% duty cycle clockwise rotation unit rated at 25.4 VDC, specify 190836-024).

Please see www.ledex.com (click on Stock Products tab) for our list of stock products available through our North American distributors.

- Continuously pulsed at stated watts and duty cycle
- Single pulse at stated watts (with coil at ambient room temperature 20°C)
- Typical energize time based on a 14.0 oz-in torque load including 14 gm-cm² of inertia
- Other coil awg sizes available — please consult factory
- Reference number of turns

Size 6EV — Typical Torque @ 20°C



Notes:

- Torque curves shown are without spring.
- Typical standard spring has a torque of 8.0 oz-in.
- Torque values are for reference only.

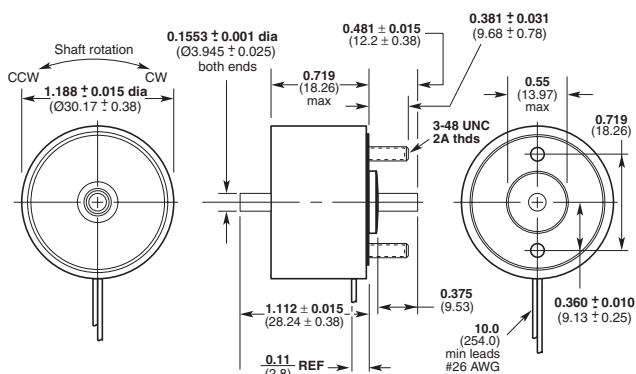
All specifications subject to change without notice.

BTA® Dimensions

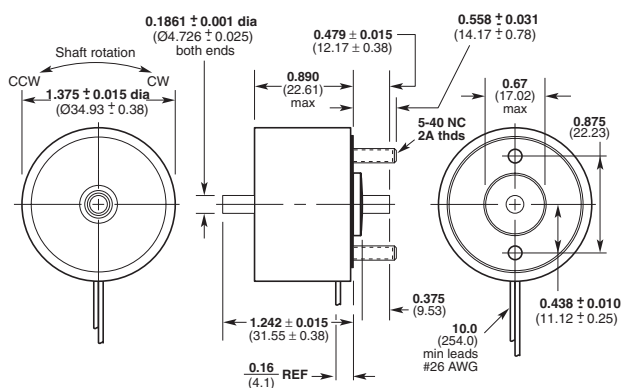
inches (mm)

ROTARY BTA®

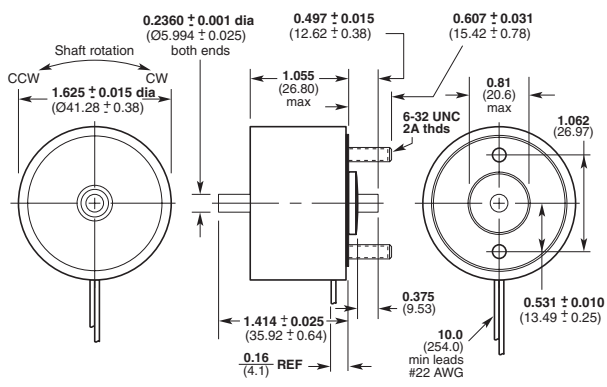
Size 2EV



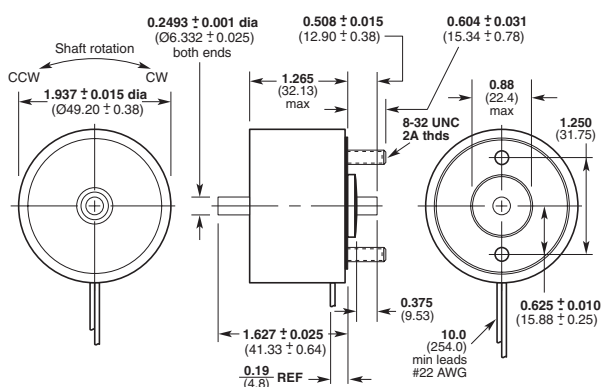
Size 3EV



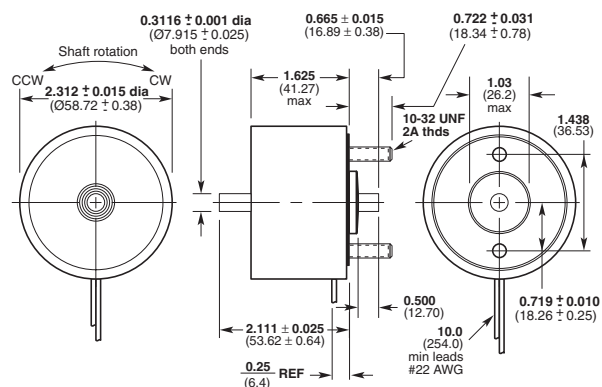
Size 4EV



Size 5EV



Size 6EV

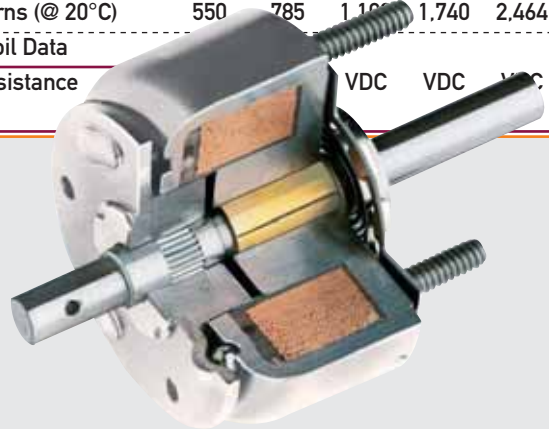


All specifications subject to change without notice.

Ledex[®] Rotary Solenoids



Maximum Duty Cycle	100%	50%	25%	10%	5%
Maximum ON Time (sec) when pulsed continuously ¹	∞	100	36	8	2.8
Maximum ON Time (sec) for single pulse ²	∞	162	44	9	3.2
Watts (@ 20°C)	10	20	40	100	200
Ampere Turns (@ 20°C)	550	785	1,100	1,740	2,464
Coil Data					
awg	Resistance			VDC	VDC

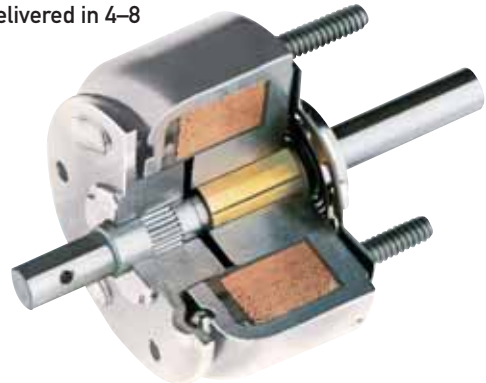


Ledex® Rotary Solenoids

ROTARY Solenoids



- The most extensive rotary solenoid line in the industry
- Extensive capabilities for modified, custom fabricated solenoids and solenoid-operated mechanisms
- Stock models available through distribution for next day shipment across North America
- Fast, two-week turnaround on prototypes, small orders or custom models
- Quantity orders for standard products delivered in 4–8 weeks



All catalog products manufactured after April 1, 2006 are RoHS Compliant

Bobbin Wound Coil Rotary Solenoids

- Manufactured by automated high-speed coil winding equipment for good performance and low cost
- Torque output up to 10 lb-in
- One million operations life rating (based on 25% duty cycle at 20°C ambient operating temperature)
- Standard strokes from 25°–110°; custom strokes available, some with one-time tooling charge
- Clockwise and counterclockwise rotation
- Wide variety of configurations to accommodate mounting and environmental considerations
- Many models available from distribution

Precision Standard Coil Rotary Solenoids

- Precision wound coil for excellent torque to size ratio
- Available in standard or long life versions
- Torque output up to 47 lb-in
- One million operations life rating for standard versions; 50 million operations or 100 million operation if lubricated every 10 million operations for long life versions (life ratings based on 25% duty cycle at 20°C ambient operating temperature)
- Three sizes from 1-7/8" to 2-3/4" diameters
- Standard strokes from 25°–110°; custom strokes available, some with one-time tooling charge
- Clockwise or counterclockwise rotation
- Wide variety of configurations to accommodate mounting and environmental considerations
- Hundreds of models available from distribution

Precision Elongated Coil Rotary Solenoids

- Built with 30% more coil copper than precision standard coil solenoids for lower power consumption
- Precision wound coil for excellent torque to size ratio
- Available in standard or long life versions
- Torque output up to 52 lb-in
- One million operations life rating for standard versions; 50 million operations or 100 million operations if lubricated every 10 million operations for long life versions (life ratings based on 25% duty cycle at 20°C ambient operating temperature)
- Four sizes from 1" to 1-9/16" diameters
- Standard strokes from 25°–110°; custom strokes available, some with one-time tooling charge
- Clockwise or counterclockwise rotation
- Wide variety of configurations to accommodate mounting and environmental considerations
- Many models available from distribution

Ledex® Rotary Solenoids

Modified and Custom-Designed Rotary Solenoids

Ledex offers comprehensive design and manufacturing resources to develop application specific rotary solenoids to meet your exact performance and unit cost objectives. Even though we offer thousands of standard rotary solenoid models, almost 80% of the product we build is specifically tailored to our customers' needs. So if you don't find exactly what you're looking for, please call us to discuss your requirements. Here are a few simple design options which we frequently encounter for rotary solenoid applications:

- Special shafts
- Mounting studs threaded to customer specification
- Slots, flats, or holes in shafts for machine linkage
- Double return springs for critical safety redundancy
- Armature covers

In-Stock Models for Next Day Shipment across North America

Many rotary solenoids are available from distribution inventory. If you're not sure of your exact requirement, you may consider using a stock model prototype as a quick and very inexpensive means to determine your exact requirements. Stock models are available in a variety of rotary strokes for most sizes of bobbin, precision standard and precision elongated coil styles.

Design Principles

Physical Characteristics

The rotary solenoid is a compact and rugged direct current electromagnet—almost solid steel and copper so as to give maximum power output with minimum size and weight. The coil is wound by a special precision winding process which puts the maximum amount of copper into the allowable space, thus resulting in each solenoid developing a tremendous torque for its size and power output. Heat-treated steel surrounds and protects the coil. The steel also provides a magnetic path of high permeability and low residual flux characteristics for efficient conversion of electrical energy to mechanical energy and fast response.

Determining Rotary Stroke

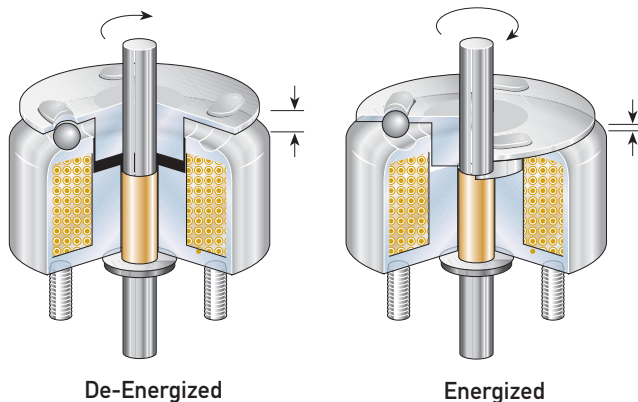
The three ball races which determine the rotary stroke are produced by a coining process. The coining of the solenoid case and armature plate determines the length and direction of the stroke and the value of starting torque. Refer to the selection charts for the standard strokes available. Special rotary strokes can be engineered for solenoids which are made to order.

Converting Linear to Rotary Motion

The rotary solenoid armature is supported by three ball bearings that travel around and down inclined ball races. When power is applied, a powerful linear electromagnetic force pulls in the armature. Rotation continues until the balls have traveled to the deep ends of the races. The result is almost frictionless conversion from linear to rotary motion.

High Starting Torque

In ordinary electromagnets, magnetic pull increases sharply as the air gap closes. In Ledex rotary solenoids, this is compensated for by the compound angle of incline of the ball races. The incline of the ball races is steep at the beginning of the rotary stroke and gradually decreases as the balls approach the deep end of the ball races, thus transferring torque to the start of the rotary stroke where it is usually needed.



Ledex® Rotary Solenoids Design Considerations

Rotary Stroke Considerations

Determine whether clockwise or counterclockwise rotation (as viewed from the armature side, opposite the mounting studs) is required.

Match the stroke of the solenoid selected to the rotary stroke required for the application. For example: do not use a 45° stroke solenoid when only 35° of stroke is needed.

The complete rotary stroke of the solenoid should be utilized. It is the contour of the ball race that determines the torque output, but if the armature is not allowed to completely energize or de-energize, the starting torque and ending torque will deviate from the designed torque output.

In some applications, however, users of standard Ledex solenoids have achieved good results with certain methods of restricting the rotary

stroke. If some mechanical means is used to prevent the balls from reaching the deepest part of the races, increased life expectancy and quieter operation can be achieved. However, if the stroke is restricted, it is often necessary that some additional bearing method be employed to keep the balls in phase. Our application engineers will be glad to assist you with any unusual requirements.

When strokes other than those shown in this catalog are needed in production quantities, it is usually best to consider tooling to produce the exact stroke needed.

Starting Torque

When determining an application's torque requirement, apply a 1.5 safety factor. For example: a load requiring 4.5 lb-in of torque should utilize a solenoid providing 4.5 x 1.5 or 6.75 lb-in of torque.

Other Design Considerations

Snap-Acting Engagement

Rotary solenoids have fast acting engagement. If a controlled speed is required in a rotary stroke application, consider Ledex BTA rotary actuators.

Unobstructed Axial Stroke

Axial stroke is the linear distance that the armature travels to the center of the coil as the solenoid is energized and the three bearing balls travel to the lower ends of the races.

The application should allow clearance for axial stroke, which is rarely a problem due to the relatively small magnitude of travel. Axial stroke is listed for each solenoid size and rotary stroke on the appropriate specification pages.

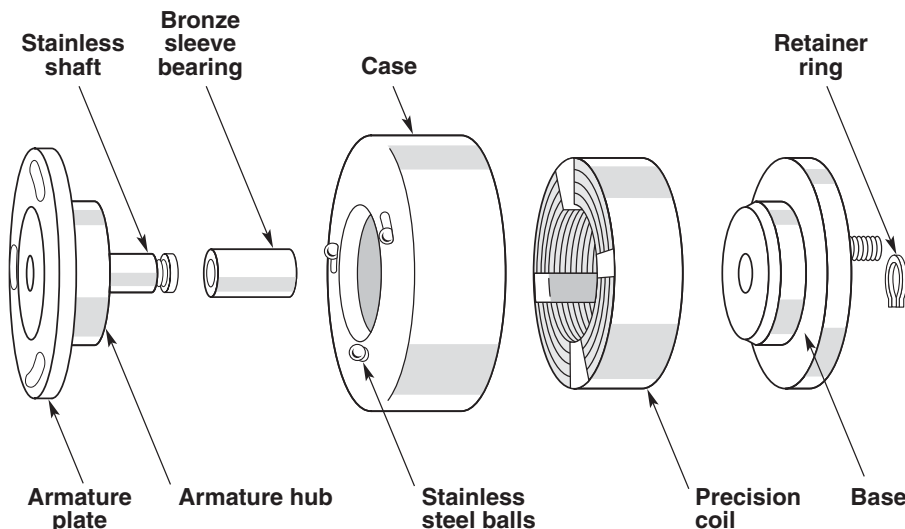
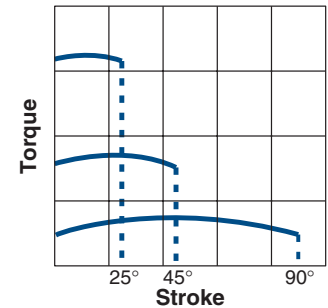
Solenoids without axial stroke, such as our BTA, can be tailored to your application if longitudinal movement must be avoided.

Preloaded Axial Stroke

A rotary solenoid's armature produces smoother action if it is preloaded axially. It is important that the three bearing balls be kept in phase throughout the entire stroke. If they are allowed to move freely in the raceway, operation may become erratic.

Torque and Stroke

Torque is inversely proportional to the total length of the rotary stroke. If, for example, a rotary solenoid with a 90° stroke produces a gross starting torque of 0.7 lb-in, it will have approximately 1.5 lb-in of torque if it has a 45° stroke, and 3.0 lb-in with a 25° stroke.



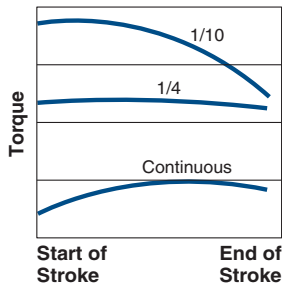
Ledex® Rotary Solenoids Design Considerations

Other Design Considerations (continued)

Torque and Duty Cycle

Ledex rotary solenoids are engineered to deliver a relatively flat output curve at 25% duty.

Under highly intermittent usage such as 10% or 5% duty, power and magnetic saturation are increased. This results in a higher starting torque, but a faster reduction of torque as the armature progresses through the rotary stroke. Since most loads have some inertia, the effect of less torque toward the end of the stroke is usually negligible. At continuous duty, magnetic saturation is lower and the torque output typically increases slightly toward the end of stroke.

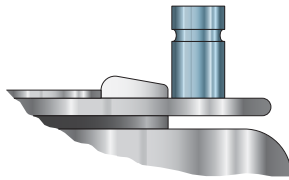


Temperature Considerations

Rotary solenoids are designed for operation in ambient temperatures ranging from -55°C to 80°C, provided the coil temperature does not exceed 120°C. Note that standard and elongated solenoids have PVC lead wires which have a maximum rating of 105°C. Special order Teflon leads are available (with maximum temperature rating of 200°C to allow for a 175°C coil temperature.)

Armature Drive Pin

Armature pins are commonly used as the main power take-off to perform secondary drive operations. They also provide a convenient adaptor for levers or bars which can convert the rotary stroke into linear motion. With appropriately designed linkages, a limited rotary stroke can produce several inches of linear travel.



Armature Cover

Armature covers are available on all models, sizes and styles. They keep adjacent components or wires from interfering with the rotary and axial motion of the solenoid armature. They are also recommended for dirty or dusty environments. Armature cover models with armature end shaft extensions are equipped with a felt washer to act as a seal against the entry of dust around the shaft.

Coil Style

Ledex offers three rotary solenoid coil designs to accommodate most price and performance considerations.

Bobbin Coil Style solenoids (Sizes 3B and 5B only) offer good performance, long life and cost less than Precision Standard Coil

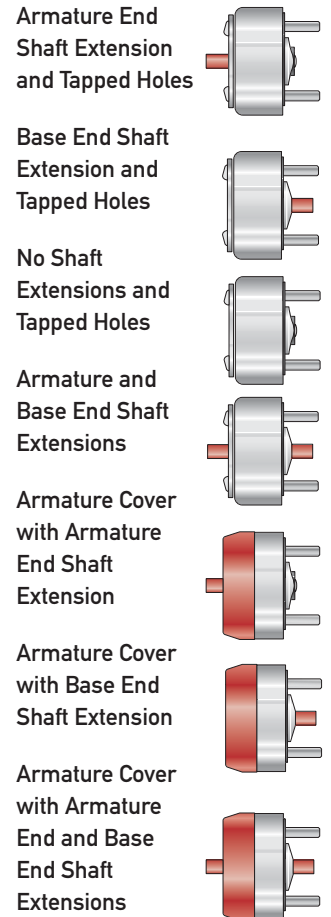
Style solenoids. However, Bobbin Style solenoids provide somewhat less torque in a slightly taller package. Bobbin Style Solenoids are equipped with either solder lug terminals or lead wires.

Precision Standard Coil Style solenoids (Sizes 5S through 7S) are designed with precision wound coils to provide excellent performance and long life. Precision Standard solenoids are equipped with 10" PVC insulated lead wires.

Precision Elongated Coil Style solenoids (sizes 1E through 4E) also have precision-wound coils like our standard models, except the coil has 30% more copper. The larger coil enables Elongated styles to operate with additional torque at most power levels to provide an additional safety factor when compared to standard S style torque ratings. Consequently, Precision Elongated Coil Solenoids are generally recommended for applications which have relatively long duty cycle ON times. Precision elongated coils, in comparison to standard coils, weigh 20–25% more, have the same diameter and mounting configurations and are equipped with 10" PVC insulated lead wires.

Configurations

Rotary solenoids are available in seven standard configurations for most sizes:



These icons are used throughout the rotary solenoid section to help distinguish the seven configurations. All standard configurations include a return spring (See return spring torque specifications on page D7.) Models without an armature cover are equipped with three tapped holes in the armature face for load attachment purposes.

ROTARY Solenoids

Ledex® Rotary Solenoids Design Considerations

Life Ratings

Rotary solenoids are laboratory tested under spring load conditions at 25% duty cycle at 20° C ambient temperature to determine life ratings. Bobbin, Precision Standard, and Precision Elongated coil solenoids are rated for 1 million actuations.

Actual life, however, is greatly affected by the application and environment factors such as exposure to extreme temperatures, dirt, dust, etc. Depending on these factors, Precision Standard and Precision Elongated coil solenoids can provide up to 20 million actuations.

Long Life Versions

Precision Standard and Precision Elongated coil solenoids are also available in long life versions which provide 50 million actuations (or 100 million actuations if lubricated every 10 million actuations).

Long life models incorporate precision needle bearings and special materials to reduce wear and extend life. The needle bearing is particularly helpful in overcoming side load and starting torque problems.

Long life models provide approximately 90% of the charted torque listed in the performance charts. Long life models are slightly more expensive, but can cost less in terms of machine down time and replacement time. Long life versions are available in strokes up to 45°. Please consult the factory for longer strokes.

Duty Cycle

Duty cycle is determined by solenoid ON time/(ON + OFF time).

For example: a solenoid is actuated for 30 seconds, then off for 90 seconds.
 $30 \text{ sec ON} / (30 \text{ Sec ON} + 90 \text{ sec OFF}) = 30/120 = 1/4 \text{ or } 25\% \text{ duty cycle}$

Ledex rates rotary solenoids for various duty cycles ranging from 100% to 5% duty.

If you cannot find an appropriate Style B Bobbin Coil solenoid which provides satisfactory torque and power, consider S Style Precision Standard Coil, or E Style Precision Elongated Coil models.

Maximum ON Time and Duty Cycle

Note that the maximum ON time for a particular application can be a factor which overrides the duty cycle rating.

For example, the maximum ON time for a given rotary solenoid when pulsed continuously at 25% duty cycle at given wattage is 36 seconds. If, however, the solenoid is given a single pulse at the same wattage with the unit at ambient temperature (20°C), then the maximum ON time is extended somewhat to 44 seconds. Maximum ON time ratings are charted by duty cycle on the following selection pages as well as on the individual specification pages.

Power Requirement

Standard solenoids are available in coil awgs ranging, in most instances, from #23 up to #33 to accommodate your input power. Refer to selection charts on the following pages. The coil awg number will determine the power rating of the coil. The coil awg number must be specified when ordering a unit. Many other awg coil sizes are available; please contact an application engineer to discuss your requirements.

In-Stock Models

Many rotary solenoids are available from distribution inventory. If you're not sure of your exact requirement, you may consider using a stock model prototype as a quick and very inexpensive means to determine your exact requirements.

Note that the last two digits of the model number correspond to the coil awg number. Refer to the specification page of the model to review performance data at that given awg.

Return Springs

Return springs are employed to return the solenoid armature to its de-energized position, and can also serve to return light loads. Standard nominal settings listed below are accurate to ±20%.

Size/Style	Spring Torque (oz-in)
1E	1.0
2E	1.0
3B; 3E	2.0
4E	3.0
5B; 5S	4.0
6S	8.0
7S	12.0

To meet exacting application requirements, rotary solenoids can be equipped with lesser or higher torsion return springs.

Contact our application engineers for your specific requirements.

Ledex® Rotary Solenoids Modifications & Custom Capabilities

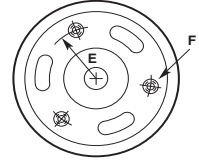
Modifications and Customized Units

For modifications including heavy duty return springs, drive pins, etc. please contact our application engineers for assistance, as these standard modifications require a custom part number.

And, if you can't find exactly what you're looking for among our catalog products, please give our application engineers a call. Ledex custom fabricated solenoids are designed, built, tested, packaged, and shipped to your exact specifications. Whether it's as simple as adding a special connector or mounting bracket, or fabricating a complete assembly, we can build the right product to meet both your design and budget objectives.

Three Tapped Holes in Armature Plate

Attachment screws used should not extend below the bottom surface of the armature plate or they may interfere with the rotary stroke.

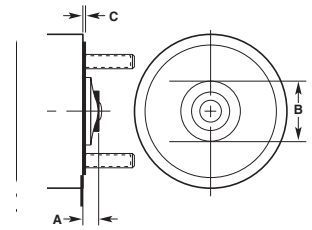


Solenoid Size	1E	2E	3B 3E	4E	5B 5S	6S	7S
Radius (E)	21/64	3/8	7/16	17/32	9/16	3/4	15/16
Thread Size (F)	#3-48	#3-48	#3-48	#5-40	#6-32	#8/32	#10-32

Return Springs

Scroll Type Standard or Heavy Duty Fixed Springs

The primary purpose of the return spring is to return the solenoid armature; it can also be used to return light loads. Standard nominal settings, which are accurate to within $\pm 20\%$, are charted below opposite "standard." Springs with greater torsion values can be supplied (see values opposite "Heavy Duty" below).



Solenoid Size	1E	2E	3B 3E	4E	5B 5S	6S	7S
Dim. A	5/32	5/32	11/64	13/64	7/32	1/4	5/16
Dim. B	35/64	35/64	43/64	13/16	7/8	1-1/32	1-11/64
Dim. C	1/64	1/64	1/64	1/32	1/32	1/32	1/32

Nominal Spring Setting: $\pm 20\%$ oz-in

Standard	1.0	1.0	2.0	3.0	4.0	8.0	12.0
Heavy Duty	—	—	2	4	5	8	16

Ledex® Rotary Solenoids Selection

How to Select Rotary Solenoids

1. Use the chart on page D9 to determine which coil style and frame size best satisfies your application requirement. Turn to the specification pages listed for model selection.

2. On the individual specification pages, use the Performance Chart (like the one shown at right), to select one of the five columns which provides the appropriate duty cycle for your application (for example 25%). Reading down this column, locate the torque for the stroke you need.

3. Use the model number and configuration chart (like the one at the bottom of this page) to select the model number corresponding to your desired design, stroke, and direction of rotation.

4. Using the Coil Specification Chart (like the one at right), find your selected duty cycle column. Reading down this column provides a variety of specification data. Following further down the column into the VDC ratings, select the voltage which most closely matches your supply voltage (for example, for a 24 VDC supply, select 26.0). Read across to the left to select the coil awg suffix for this voltage.

5. Replace the last two digits of the model number (XX) with the coil awg number to complete the model number. (For this example, specify model number: H-15039-033.

Performance Specifications

Stroke	Holding Torque ² (lb-in)	Starting Torque (lb-in) @ 20°C Maximum Duty Cycle				
		100%	50%	25%	10%	5%
25°	0.28	*	0.2	0.4	0.8	1.1
35°	*	*	*	*	*	*
45°	0.15	*	0.1	0.2	0.4	0.6

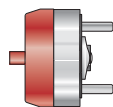
Coil Specifications

	100%	50%	25%	10%	5%
Maximum Duty Cycle	∞	100	36	7	2.5
Maximum ON Time (sec) when pulsed continuously	∞	162	44	8	2.8
Maximum ON Time (sec) for single pulse	∞	10.5	21	54	108
Watts (@ 20°C)	*	492	695	1,105	1560

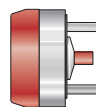
Coil Data

avg (0XX)	Resistance (@20°C)	# Turns	VDC (Nom)	VDC (Nom)	VDC (Nom)	VDC (Nom)	VDC (Nom)
25	0.83	140	*	2.9	4.1	6.5	9.2
26	1.38	186	*	3.7	5.2	8.2	11.6
27	1.91	210	*	4.5	6.3	10.1	14.2
28	3.17	273	*	5.7	8.1	12.8	18.1
29	5.17	352	*	7.2	10.2	16.2	23.0
30	8.25	441	*	9.2	13.0	21.0	29.0
31	12.95	550	*	11.6	16.4	26.0	37.0
32	20.71	682	*	14.9	21.0	34.0	47.0
33	30.60	828	*	18.2	26.0	41.0	58.0
34	50.95	1078	*	23.0	33.0	52.0	74.0
35	83.92	1392	*	30.0	42.0	67.0	94.0

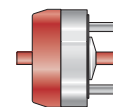
- Armature cover
- Armature end shaft
- Return Spring



- Armature cover
- Base end shaft
- Return spring



- Armature cover
- Double shaft
- Return spring



Stroke/ Direction*	Nom. Axial Stroke	Standard		Long Life		Standard		Long Life	
		Standard	Long Life	Standard	Long Life	Standard	Long Life		
25°CW	0.025"	H-1142-0XX	L-1142-0XX	H-1140-0XX	L-1140-0XX	H-15097-0XX	L-15097-0XX	H-3334-0XX	L-3334-0XX
25°CCW	0.025"	H-1145-0XX	L-1145-0XX	H-1144-0XX	L-1144-0XX	H-15207-0XX	L-15207-0XX	H-15208-0XX	L-15208-0XX
35°CW	0.030"	H-15201-0XX	L-15201-0XX	H-15205-0XX	L-15205-0XX	H-15207-0XX	L-15207-0XX	H-15208-0XX	L-15208-0XX
35°CCW	0.030"	H-15202-0XX	L-15202-0XX	H-15206-0XX	L-15206-0XX	H-15207-0XX	L-15207-0XX	H-15208-0XX	L-15208-0XX
45°CW	0.025"	H-1148-0XX	L-1148-0XX	H-1147-0XX	L-1147-0XX	H-15039-0XX	L-15039-0XX	H-15148-0XX	L-15148-0XX
45°CCW	0.025"	H-1150-0XX	L-1150-0XX	H-1149-0XX	L-1149-0XX	H-15148-0XX	L-15148-0XX	H-15148-0XX	L-15148-0XX

* Direction of rotation (cw – clockwise or ccw – counterclockwise) is viewed from the armature end of the solenoid opposite the mounting studs.

Note: The XX in the part number suffix must be filled in with the awg of your choice.

Ledex® Rotary Solenoids Selection

Rotary Solenoids Selection Overview

Size/ Series	Diameter ¹ (inches)	Height ¹ (inches)	Stroke	Direction CW CCW		Holding Torque (lb-in)	Available Torque ² (lb-in)					Energizing Time (msec) @ Specified Duty Cycles					Return Spring (lb-in)	
							100% Duty	50% Duty	25% Duty	10% Duty	5% Duty	100% Duty	50% Duty	25% Duty	10% Duty	5% Duty		
1E ●	1.000	0.625	25°	•	•	0.3	*	0.2	0.4	0.8	1.1	12.6	9.9	7.3	5.7	4.7	0.06	
			35°	•	•	*	*	*	*	*	*	*	*	*	*	*	*	*
			45°	•	•	0.2	*	0.1	0.2	0.4	0.6	19.8	14.2	10.0	7.2	6.0	0.06	
2E ●	1.125	0.656	25°	•	•	0.5	0.2	0.4	0.7	1.4	1.7	13.1	9.5	7.5	5.9	5.0	0.06	
			35°	•	•	*	0.2	0.3	0.5	1.1	1.3	*	*	*	*	*	*	
			45°	•	•	0.3	0.1	0.2	0.4	0.7	0.9	23.2	15.0	11.0	8.4	7.0	0.06	
3B	1.312	0.875	25°	•	•	0.9	0.4	0.7	1.3	2.7	3.2	16.5	11.3	8.9	6.8	5.9	0.12	
			35°	•	•	0.6	0.3	0.6	1.0	2.0	2.3	*	*	*	*	*	*	
			45°	•	•	0.4	0.2	0.4	0.8	1.4	1.7	24.0	15.6	12.1	9.4	7.7	0.12	
			67½°	•	•	0.4	0.1	0.2	0.4	0.5	0.8	*	*	*	*	*	*	
3E	1.312	0.797	25°	•	•	0.9	0.4	0.8	1.4	2.7	3.2	16.9	12.0	9.3	7.1	6.2	0.12	
			35°	•	•	0.7	0.3	0.6	1.0	2.0	2.3	*	*	*	*	*	*	
			45°	•	•	0.6	0.2	0.4	0.8	1.4	1.8	29.8	17.8	13.1	10.0	8.1	0.12	
			67½°	•	•	0.5	0.1	0.2	0.4	0.7	0.9	*	*	*	*	*	*	
4E	1.562	0.953	25°	•	•	2.0	0.9	1.7	3.1	4.5	5.2	19.1	13.9	11.2	8.3	7.2	0.18	
			35°	•	•	*	0.6	1.1	2.0	3.1	3.5	*	*	*	*	*	*	
			45°	•	•	1.0	0.4	0.9	1.6	2.6	3.1	28.9	20.3	15.4	11.3	9.2	0.18	
			55°	•	•	*	*	*	*	*	*	*	*	*	*	*	*	
			67½°	•	•	*	0.2	0.4	0.8	1.6	1.9	*	*	*	*	*	*	
5B	1.875	1.203	25°	•	•	4.0	1.8	3.5	5.8	8.3	10.0	19.6	14.9	12.0	9.4	7.7	0.25	
			35°	•	•	0.9	0.9	2.1	4.1	6.9	8.3	*	*	*	*	*	*	
			45°	•	•	3.0	0.7	1.7	3.2	5.0	6.0	29.0	21.2	16.5	12.6	10.2	0.25	
			67½°	•	•	0.5	0.5	1.1	2.0	3.3	4.0	*	*	*	*	*	*	
			95°	•	•	2.0	0.2	0.4	0.9	1.6	1.9	*	*	*	*	*	*	
5S	1.875	1.047	25°	•	•	5.0	1.9	4.1	7.3	12.1	13.2	18.6	14.3	11.5	9.0	7.2	0.25	
			35°	•	•	*	1.2	2.6	4.5	7.8	9.2	*	*	*	*	*	*	
			45°	•	•	3.0	0.7	1.7	3.4	6.3	6.9	28.1	20.3	15.6	12.0	10.0	0.25	
			55°	•	•	*	*	*	*	*	*	*	*	*	*	*	*	
			67½°	•	•	*	0.5	1.2	2.2	3.9	4.9	*	*	*	*	*	*	
			75°	•	•	*	*	*	*	*	*	*	*	*	*	*	*	
6S	2.250	1.343	25°	•	•	9.0	4.6	8.9	16.2	27.8	30.6	24.1	18.6	14.8	11.4	9.5	0.50	
			35°	•	•	*	3.4	6.5	12.0	18.6	20.5	*	*	*	*	*	*	
			45°	•	•	6.0	1.7	3.5	6.5	11.0	12.1	38.1	27.4	21.6	16.5	13.5	0.50	
			55°	•	•	*	*	*	*	*	*	*	*	*	*	*	*	
			67½°	•	•	*	1.6	3.1	5.6	8.8	9.7	*	*	*	*	*	*	
			95°	•	•	3.0	0.9	1.7	3.3	5.2	5.7	*	*	*	*	*	*	
7S	2.750	1.766	25°	•	•	20.0	11.0	23.8	33.2	42.4	46.6	32.3	25.1	20.3	15.6	13.2	0.75	
			35°	•	•	*	6.0	12.0	22.0	38.0	42.0	*	*	*	*	*	*	
			45°	•	•	13.0	5.0	8.8	16.4	29.8	32.8	45.1	33.9	27.2	20.2	16.9	0.75	
			55°	•	•	*	*	*	*	*	*	*	*	*	*	*	*	
			67½°	•	•	*	2.5	5.1	9.8	17.5	19.3	*	*	*	*	*	*	
95°	•	•	6.0	1.5	3.5	6.4	10.5	11.6	81.6	58.8	44.8	33.0	27.3	0.75				

All data is at 20°C coil temperature. Torque outputs degrade with elevated temperatures. All specifications subject to change without notice.

¹ Without armature cover

² Torque values and energizing times shown for S and E Series are for Standard Life units. Long Life models provide approximately 10% less torque, but offer 5 to 10 times longer life. Long Life models are only available in strokes up to 45°.

* Consult factory for sizes and strokes not shown.

All catalog products manufactured after April 1, 2006 are RoHS Compliant

● Well-suited for battery operation. See the "Battery Operated Solenoids" section for complete information.



Ledex® Rotary Solenoids Size 1E Precision Elongated Coil

Performance Specifications

Stroke	Holding Torque ² (lb-in)	Starting Torque (lb-in) ¹ @ 20°C Maximum Duty Cycle				
		100%	50%	25%	10%	5%
25°	0.28	*	0.2	0.4	0.8	1.1
35°	*	*	*	*	*	*
45°	0.15	*	0.1	0.2	0.4	0.6

All data is at 20°C coil temperature. Force (torque) outputs degrade with elevated temperatures.

- ¹ Gross starting torques are shown. For net available starting torque, subtract return spring torque of 0.06 lb.-in. ±20%.
- ² Holding torque is shown at the stabilized temperature of 105°C and continuous duty.
- * Consult factory.

● Well-suited for battery operation. See the "Battery Operated Solenoids" section for complete information.



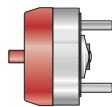
All catalog products manufactured after April 1, 2006 are RoHS Compliant

How to Order

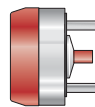
- Using the Performance Chart to the left, select one of the five columns which provides the appropriate duty cycle for your application. Reading down this column locate the torque for the stroke you need. For net available starting torque, subtract return spring torque of 0.06 lb.-in. ±20% (if torque is insufficient go to next larger solenoid size).
- Use the chart below to select the model number corresponding to your desired design, stroke and direction of rotation (as viewed from armature end, opposite mounting studs).
- Using the Specification Chart to the right, select the same duty cycle column. Follow down the column into the VDC ratings. Select the voltage which most closely matches your supply voltage. Read across to the left to select the coil awg suffix.
- Replace the last two digits of the model number (XX) with the coil awg number to complete the part number.

Please see www.ledex.com (click on Stock Products tab) for our list of stock products available through our North American distributors.

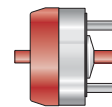
- Armature cover
- Armature end shaft
- Return spring



- Armature cover
- Base end shaft
- Return spring



- Armature cover
- Double shaft
- Return spring



Stroke/ Direction*	Nom. Axial Stroke	Standard		Long Life		Standard		Long Life	
		Standard	Long Life	Standard	Long Life	Standard	Long Life		
25° CW	0.025"	H-1142-0XX	L-1142-0XX	H-1140-0XX	L-1140-0XX	H-15097-0XX	L-15097-0XX		
25° CCW	0.025"	H-1145-0XX	L-1145-0XX	H-1144-0XX	L-1144-0XX	H-3334-0XX	L-3334-0XX		
35° CW	0.030"	H-15201-0XX	L-15201-0XX	H-15205-0XX	L-15205-0XX	H-15207-0XX	L-15207-0XX		
35° CCW	0.030"	H-15202-0XX	L-15202-0XX	H-15206-0XX	L-15206-0XX	H-15208-0XX	L-15208-0XX		
45° CW	0.025"	H-1148-0XX	L-1148-0XX	H-1147-0XX	L-1147-0XX	H-15039-0XX	L-15039-0XX		
45° CCW	0.025"	H-1150-0XX	L-1150-0XX	H-1149-0XX	L-1149-0XX	H-15148-0XX	L-15148-0XX		

* Direction of rotation (cw – clockwise or ccw – counterclockwise) is viewed from the armature end of the solenoid opposite the mounting studs.

Note: The XX in the part number suffix must be filled in with the awg of your choice.

Ledex® Rotary Solenoids Size 1E Precision Elongated Coil

Coil Specifications

Maximum Duty Cycle	100%	50%	25%	10%	5%
Maximum ON Time (sec) when pulsed continuously ¹	∞	100	36	7	2.5
Maximum ON Time (sec) for single pulse ²	∞	162	44	8	2.8
Watts (@ 20°C)	*	10.5	21	54	108
Ampere Turns (@ 20°C)	*	492	695	1105	1560

Coil Data

awg (0XX) ³	Resistance (@20°C)	# Turns ⁴	VDC (Nom)	VDC (Nom)	VDC (Nom)	VDC (Nom)	VDC (Nom)
25	0.83	140	*	2.9	4.1	6.5	9.2
26	1.38	186	*	3.7	5.2	8.2	11.6
27	1.91	210	*	4.5	6.3	10.1	14.2
28	3.17	273	*	5.7	8.1	12.8	18.1
29	5.17	352	*	7.2	10.2	16.2	23.0
30	8.25	441	*	9.2	13.0	21.0	29.0
31	12.95	550	*	11.6	16.4	26.0	37.0
32	20.71	682	*	14.9	21.0	34.0	47.0
33	30.60	828	*	18.2	26.0	41.0	58.0
34	50.95	1078	*	23.0	33.0	52.0	74.0
35	83.92	1392	*	30.0	42.0	67.0	94.0

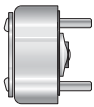
General Specifications

Dielectric Strength	1000 VRMS, all coils
Recommended Minimum Heat Sink	Maximum watts dissipated by solenoid are based on an unrestricted flow of air at 20°C, with solenoid mounted on the equivalent of an aluminum plate measuring 3" square by 1/8" thick.
Coil Resistance	±5% tolerance
Starting Torque	Gross torque values are shown. For net starting torque, subtract return spring torque
Return Spring Torque	0.06 pound-inches ±20%
Weight	1.5 oz (42.5 gms)
Dimensions	See page D28

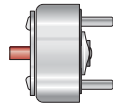
- ¹ Continuously pulsed at stated watts and duty cycle.
 - ² Single pulse at stated watts (with coil at ambient room temperature 20°C).
 - ³ Other coil awg sizes available, consult factory.
 - ⁴ Reference number of turns.
- * Consult factory.

All specifications subject to change without notice.

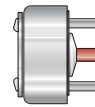
- No shafts
- 3 tapped holes
- Return spring



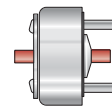
- Armature end shaft
- 3 tapped holes
- Return spring



- Base end shaft
- 3 tapped holes
- Return spring



- Double shaft
- 3 tapped holes
- Return spring



Standard	Long Life	Standard	Long Life	Standard	Long Life	Standard	Long Life
H-1143-0XX	L-1143-0XX	H-15089-0XX	L-15089-0XX	H-15211-0XX	L-15211-0XX	H-15215-0XX	L-15215-0XX
H-1146-0XX	L-1146-0XX	H-3311-0XX	L-3311-0XX	H-15084-0XX	L-15084-0XX	H-15216-0XX	L-15216-0XX
H-15200-0XX	L-15200-0XX	H-15204-0XX	L-15204-0XX	H-15212-0XX	L-15212-0XX	H-1305-0XX	L-1305-0XX
H-15203-0XX	L-15203-0XX	H-15210-0XX	L-15210-0XX	H-15213-0XX	L-15213-0XX	H-15217-0XX	L-15217-0XX
H-1141-0XX	L-1141-0XX	H-3380-0XX	L-3380-0XX	H-15085-0XX	L-15085-0XX	H-15218-0XX	L-15218-0XX
H-1151-0XX	L-1151-0XX	H-1282-0XX	L-1282-0XX	H-15214-0XX	L-15214-0XX	H-15219-0XX	L-15219-0XX

Ledex® Rotary Solenoids Size 2E Precision Elongated Coil

Performance Specifications

Stroke	Holding Torque ² (lb-in)	Starting Torque (lb-in) ¹ @ 20°C Maximum Duty Cycle				
		100%	50%	25%	10%	5%
25°	0.5	0.2	0.4	0.7	1.4	1.7
35°	*	0.2	0.3	0.5	1.1	1.3
45°	0.3	0.1	0.2	0.4	0.7	0.9

All data is at 20°C coil temperature. Force (torque) outputs degrade with elevated temperatures.

¹ Gross starting torques are shown. For net available starting torque, subtract return spring torque of 0.06 lb.-in. ±20%.

² Holding torque is shown at the stabilized temperature of 105°C and continuous duty.

* Consult factory.

● Well-suited for battery operation.
See the "Battery Operated Solenoids" section for complete information.



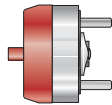
All catalog products manufactured after April 1, 2006 are RoHS Compliant

How to Order

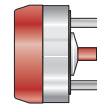
- Using the Performance Chart to the left, select one of the five columns which provides the appropriate duty cycle for your application. Reading down this column locate the torque for the stroke you need. For net available starting torque, subtract return spring torque of 0.06 lb.-in. ±20% (if torque is insufficient go to next larger solenoid size).
- Use the chart below to select the model number corresponding to your desired design, stroke and direction of rotation (as viewed from armature end, opposite mounting studs).
- Using the Specification Chart to the right, select the same duty cycle column. Follow down the column into the VDC ratings. Select the voltage which most closely matches your supply voltage. Read across to the left to select the coil awg suffix.
- Replace the last two digits of the model number (XX) with the coil awg number to complete the part number.

Please see www.ledex.com (click on Stock Products tab) for our list of stock products available through our North American distributors.

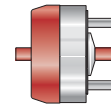
- Armature cover
- Armature end shaft
- Return spring



- Armature cover
- Base end shaft
- Return spring



- Armature cover
- Double shaft
- Return spring



Stroke/ Direction*	Nom. Axial Stroke	Standard		Long Life		Standard		Long Life	
		Standard	Long Life	Standard	Long Life	Standard	Long Life	Standard	Long Life
25° CW	0.025"	H-1244-0XX	L-1244-0XX	H-1024-0XX	L-1024-0XX	H-2390-0XX	L-2390-0XX	H-2389-0XX	L-2389-0XX
25° CCW	0.025"	H-3259-0XX	L-3259-0XX	H-2452-0XX	L-2452-0XX	H-3405-0XX	L-3405-0XX	H-15111-0XX	L-15111-0XX
35° CW	0.025"	H-1294-0XX	L-1294-0XX	H-2116-0XX	L-2116-0XX	H-1344-0XX	L-1344-0XX	H-15046-0XX	L-15046-0XX
35° CCW	0.025"	H-1159-0XX	L-1159-0XX	H-15004-0XX	L-15004-0XX	H-15046-0XX	L-15046-0XX		
45° CW	0.025"	H-2264-0XX	L-2264-0XX	H-2117-0XX	L-2117-0XX				
45° CCW	0.025"	H-2265-0XX	L-2265-0XX	H-2450-0XX	L-2450-0XX				

* Direction of rotation (cw – clockwise or ccw – counterclockwise) is viewed from the armature end of the solenoid opposite the mounting studs.

Note: The XX in the part number suffix must be filled in with the awg of your choice.

Ledex® Rotary Solenoids Size 2E Precision Elongated Coil

Coil Specifications

Maximum Duty Cycle	100%	50%	25%	10%	5%
Maximum ON Time (sec) when pulsed continuously ¹	∞	100	36	7	2.5
Maximum ON Time (sec) for single pulse ²	∞	162	44	8	2.8
Watts (@ 20°C)	7	14	28	70	140
Ampere Turns (@ 20°C)	425	602	849	1350	1904

Coil Data

awg (OXX) ³	Resistance (@20°C)	# Turns ⁴	VDC (Nom)	VDC (Nom)	VDC (Nom)	VDC (Nom)	VDC (Nom)
24	0.68	130	2.2	3.2	4.5	7.1	10.0
25	1.16	174	2.8	4.0	5.7	9.0	12.7
26	1.96	231	3.6	5.1	7.2	11.5	16.2
27	3.16	296	4.5	6.4	9.0	14.4	20.0
28	5.10	378	5.7	8.1	11.5	18.2	26.0
29	6.94	423	7.0	9.9	13.9	22.0	31.0
30	11.03	530	8.8	12.5	17.7	28.0	40.0
31	16.85	649	11.0	15.6	22.0	35.0	49.0
32	28.15	858	13.9	19.8	28.0	44.0	63.0
33	42.75	1036	17.5	25.0	35.0	56.0	79.0
34	69.56	1312	23.0	32.0	45.0	72.0	101.0
35	112.00	1674	29.0	40.0	57.0	91.0	128.0

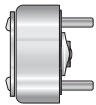
General Specifications

Dielectric Strength	1000 VRMS, all coils
Recommended Minimum Heat Sink	Maximum watts dissipated by solenoid are based on an unrestricted flow of air at 20°C, with solenoid mounted on the equivalent of an aluminum plate measuring 3 ³ / ₈ " square by 1/ ₈ " thick.
Coil Resistance	±5% tolerance
Starting Torque	Gross torque values are shown. For net starting torque, subtract return spring torque
Return Spring Torque	0.06 pound-inches ±20%
Weight	2 oz (56.7 gms)
Dimensions	See page D29

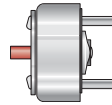
- Continuously pulsed at stated watts and duty cycle.
- Single pulse at stated watts (with coil at ambient room temperature 20°C).
- Other coil awg sizes available, consult factory.
- Reference number of turns.

All specifications subject to change without notice.

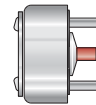
- No shafts
- 3 tapped holes
- Return spring



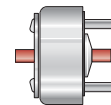
- Armature end shaft
- 3 tapped holes
- Return spring



- Base end shaft
- 3 tapped holes
- Return spring



- Double shaft
- 3 tapped holes
- Return spring



Standard	Long Life	Standard	Long Life	Standard	Long Life	Standard	Long Life
H-2168-OXX	L-2168-OXX	H-1094-OXX	L-1094-OXX	H-2933-OXX	L-2933-OXX	H-2411-OXX	L-2411-OXX
H-2346-OXX	L-2346-OXX	H-2670-OXX	L-2670-OXX	H-2748-OXX	L-2748-OXX	H-2537-OXX	L-2537-OXX
H-2193-OXX	L-2193-OXX	H-2685-OXX	L-2685-OXX	H-1088-OXX	L-1088-OXX	H-2994-OXX	L-2994-OXX
H-2483-OXX	L-2483-OXX	H-15094-OXX	L-15094-OXX	H-15615-OXX	L-15615-OXX	H-15220-OXX	L-15220-OXX
H-1079-OXX	L-1079-OXX	H-2362-OXX	L-2362-OXX	H-3265-OXX	L-3265-OXX	H-3244-OXX	L-3244-OXX
H-2744-OXX	L-2744-OXX	H-3112-OXX	L-3112-OXX	H-2436-OXX	L-2436-OXX	H-3245-OXX	L-3245-OXX

Ledex® Rotary Solenoids Size 3B Bobbin Coil

Performance Specifications

Stroke	Holding Torque ² (lb-in)	Starting Torque (lb-in) ¹ @ 20°C Maximum Duty Cycle				
		100%	50%	25%	10%	5%
25°	0.9	0.35	0.70	1.3	2.7	3.2
35°	0.6	0.25	0.55	1.0	2.0	2.3
45°	0.4	0.15	0.35	0.8	1.4	1.7
67½°	0.4	0.09	0.20	0.4	0.5	0.8

All data is at 20°C coil temperature. Force (torque) outputs degrade with elevated temperatures.

¹ Gross starting torques are shown. For net available starting torque, subtract return spring torque of 0.12 lb.-in. ±20%.

² Holding torque is shown at the stabilized temperature of 105°C and continuous duty.

* Consult factory.

ROTARY Solenoids

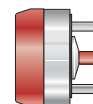
All catalog products manufactured after April 1, 2006 are RoHS Compliant

How to Order

- Using the Performance Chart to the left, select one of the five columns which provides the appropriate duty cycle for your application. Reading down this column locate the torque for the stroke you need. For net available starting torque, subtract return spring torque of 0.12 lb.-in. ±20% (if torque is insufficient go to next larger solenoid size).
- Use the chart below to select the model number corresponding to your desired design, stroke and direction of rotation (as viewed from armature end, opposite mounting studs).
- Using the Specification Chart to the right, select the same duty cycle column. Follow down the column into the VDC ratings. Select the voltage which most closely matches your supply voltage. Read across to the left to select the coil awg suffix.
- Replace the last two digits of the model number (XX) with the coil awg number to complete the part number.

Please see www.ledex.com (click on Stock Products tab) for our list of stock products available through our North American distributors.

- Armature cover
- Base end shaft
- Return spring



Stroke/ Direction*	Nom. Axial Stroke	
25° CW	0.032"	810-380-3XX
25° CCW	0.032"	810-385-3XX
35° CW	0.032"	810-381-3XX
35° CCW	0.032"	810-386-3XX
45° CW	0.032"	810-382-3XX
45° CCW	0.032"	810-387-3XX
67½° CW	0.032"	810-383-3XX
67½° CCW	0.032"	810-388-3XX

* Direction of rotation (cw – clockwise or ccw – counterclockwise) is viewed from the armature end of the solenoid opposite the mounting studs.

Note: The XX in the part number suffix must be filled in with the awg of your choice.

Ledex® Rotary Solenoids Size 3B Bobbin Coil

Coil Specifications

Maximum Duty Cycle	100%	50%	25%	10%	5%
Maximum ON Time (sec) when pulsed continuously ¹	∞	100	36	8	2.8
Maximum ON Time (sec) for single pulse ²	∞	162	44	9	3.2
Watts (@ 20°C)	10	20	40	100	200
Ampere Turns (@ 20°C)	550	785	1100	1740	2464

Coil Data

awg (0XX) ³	Resistance (@20°C)	# Turns ⁴	VDC (Nom)	VDC (Nom)	VDC (Nom)	VDC (Nom)	VDC (Nom)
23	0.65	136	2.6	3.7	5.2	8.3	11.8
24	1.13	188	3.3	4.7	6.6	10.5	14.8
25	1.86	238	4.3	6.1	8.6	13.6	19.3
26	2.95	300	5.4	7.7	10.8	17.1	24.0
27	4.67	377	6.8	9.7	13.6	22.0	31.0
28	7.40	466	8.7	12.5	17.5	28.0	39.0
29	11.46	576	10.9	15.6	22.0	35.0	49.0
30	18.40	720	14.1	20.0	28.0	45.0	63.0
31	29.60	960	17.0	24.0	34.0	54.0	76.0
32	45.60	1157	22.0	31.0	43.0	69.0	97.0
33	73.20	1470	28.0	39.0	55.0	87.0	123.0

General Specifications

Dielectric Strength	23-27 awg, 1000 VRMS; 28-33 awg, 1200 VRMS
Recommended Minimum Heat Sink	Maximum watts dissipated by solenoid are based on an unrestricted flow of air at 20°C, with solenoid mounted on the equivalent of an aluminum plate measuring 4 ⁵ / ₈ " square by 1 ¹ / ₈ " thick.
Coil Resistance	±10% tolerance
Starting Torque	Gross torque values are shown. For net starting torque, subtract return spring torque
Weight	4 oz (113.4 gm)
Return Spring Torque	0.12 pound-inches ±20%
Dimensions	See page D30

¹ Continuously pulsed at stated watts and duty cycle.

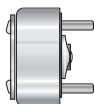
² Single pulse at stated watts (with coil at ambient room temperature 20°C).

³ Other coil awg sizes available, consult factory.

⁴ Reference number of turns.

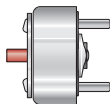
All specifications subject to change without notice.

- No shafts
- 3 tapped holes
- Return spring



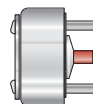
810-640-3XX
810-645-3XX
810-641-3XX
810-646-3XX
810-642-3XX
810-647-3XX
810-643-3XX
810-648-3XX

- Armature end shaft
- 3 tapped holes
- Return spring



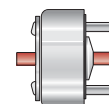
810-490-3XX
810-495-3XX
810-491-3XX
810-496-3XX
810-492-3XX
810-497-3XX
810-493-3XX
810-498-3XX

- Base end shaft
- 3 tapped holes
- Return spring



810-360-3XX
810-365-3XX
810-361-3XX
810-366-3XX
810-362-3XX
810-367-3XX
810-363-3XX
810-368-3XX

- Double shaft
- 3 tapped holes
- Return spring



810-280-3XX
810-285-3XX
810-281-3XX
810-286-3XX
810-282-3XX
810-287-3XX
810-283-3XX
810-288-3XX

Ledex® Rotary Solenoids Size 3E Precision Elongated Coil

Performance Specifications

Stroke	Holding Torque ² (lb-in)	Starting Torque (lb-in) ¹ @ 20°C Maximum Duty Cycle				
		100%	50%	25%	10%	5%
25°	0.9	0.35	0.8	1.4	2.7	3.2
35°	0.7	0.25	0.6	1.0	2.0	2.3
45°	0.6	0.15	0.4	0.8	1.4	1.8
67½°	0.5	0.10	0.2	0.4	0.7	0.9

All data is at 20°C coil temperature. Force (torque) outputs degrade with elevated temperatures.

- ¹ Gross starting torques are shown. For net available starting torque, subtract return spring torque of 0.12 lb.-in. ±20%.
- ² Holding torque is shown at the stabilized temperature of 105°C and continuous duty.
- * Consult factory.

How to Order

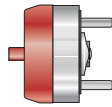
1. Using the Performance Chart to the left, select one of the five columns which provides the appropriate duty cycle for your application. Reading down this column locate the torque for the stroke you need. For net available starting torque, subtract return spring torque of 0.12 lb.-in. ±20% (if torque is insufficient go to next larger solenoid size).
2. Use the chart below to select the model number corresponding to your desired design, stroke and direction of rotation (as viewed from armature end, opposite mounting studs).
3. Using the Specification Chart to the right, select the same duty cycle column. Follow down the column into the VDC ratings. Select the voltage which most closely matches your supply voltage. Read across to the left to select the coil awg suffix.
4. Replace the last two digits of the model number (XX) with the coil awg number to complete the part number.

Please see www.ledex.com (click on Stock Products tab) for our list of stock products available through our North American distributors.

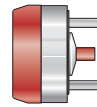
All catalog products manufactured after April 1, 2006 are RoHS Compliant

ROTARY Solenoids

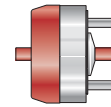
- Armature cover
- Armature end shaft
- Return spring



- Armature cover
- Base end shaft
- Return spring



- Armature cover
- Double shaft
- Return spring



Stroke/ Direction*	Nom. Axial Stroke	Armature cover, Armature end shaft, Return spring		Armature cover, Base end shaft, Return spring		Armature cover, Double shaft, Return spring	
		Standard	Long Life	Standard	Long Life	Standard	Long Life
25° CW	0.032"	H-2437-0XX	L-2437-0XX	H-2126-0XX	L-2126-0XX	H-15080-0XX	L-15080-0XX
25° CCW	0.032"	H-1245-0XX	L-1245-0XX	H-2276-0XX	L-2276-0XX	H-3374-0XX	L-3374-0XX
35° CW	0.032"	H-2562-0XX	L-2562-0XX	H-2127-0XX	L-2127-0XX	H-3401-0XX	L-3401-0XX
35° CCW	0.032"	H-3398-0XX	L-3398-0XX	H-2209-0XX	L-2209-0XX	H-15005-0XX	L-15005-0XX
45° CW	0.032"	H-2259-0XX	L-2259-0XX	H-2008-0XX	L-2008-0XX	H-2711-0XX	L-2711-0XX
45° CCW	0.032"	H-2419-0XX	L-2419-0XX	H-2453-0XX	L-2453-0XX	H-2712-0XX	L-2712-0XX
67½° CW	0.032"	H-3278-0XX	—	H-2128-0XX	—	H-15040-0XX	—
67½° CCW	0.032"	H-3279-0XX	—	H-3004-0XX	—	H-15107-0XX	—

* Direction of rotation (cw – clockwise or ccw – counterclockwise) is viewed from the armature end of the solenoid opposite the mounting studs.

Note: The XX in the part number suffix must be filled in with the awg of your choice.

Ledex® Rotary Solenoids Size 3E Precision Elongated Coil

Coil Specifications

Maximum Duty Cycle	100%	50%	25%	10%	5%
Maximum ON Time (sec) when pulsed continuously ¹	∞	100	36	8	2.8
Maximum ON Time (sec) for single pulse ²	∞	162	44	9	3.2
Watts (@ 20°C)	9	18	36	90	180
Ampere Turns (@ 20°C)	535	756	1070	1690	2397

Coil Data

awg (OXX) ³	Resistance (@20°C)	# Turns ⁴	VDC (Nom)	VDC (Nom)	VDC (Nom)	VDC (Nom)	VDC (Nom)
23	0.70	145	2.6	3.7	5.2	8.2	11.6
24	1.18	192	3.3	4.6	6.6	10.4	14.7
25	1.97	252	4.2	5.9	8.4	13.2	18.7
26	3.26	328	5.3	7.5	10.6	16.8	24.0
27	5.04	405	6.7	9.4	13.3	21.0	30.0
28	8.02	510	8.4	11.9	16.8	27.0	38.0
29	12.21	627	10.4	14.7	21.0	33.0	47.0
30	19.20	780	13.2	18.6	26.0	42.0	59.0
31	31.84	1008	16.9	24.0	34.0	53.0	76.0
32	46.97	1215	21.0	29.0	41.0	65.0	93.0
33	75.30	1530	26.0	37.0	53.0	83.0	118.0

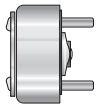
General Specifications

Dielectric Strength	23-27 awg, 1000 VRMS; 28-33 awg, 1200 VRMS
Recommended Minimum Heat Sink	Maximum watts dissipated by solenoid are based on an unrestricted flow of air at 20°C, with solenoid mounted on the equivalent of an aluminum plate measuring 4 ⁵ / ₈ " square by 1 ¹ / ₈ " thick. ±5% tolerance
Coil Resistance	±5% tolerance
Starting Torque	Gross torque values are shown. For net starting torque, subtract return spring torque
Return Spring Torque	0.12 pound-inches ±20%
Weight	3.5 oz (99.2 gms)
Dimensions	See page D31

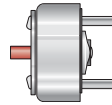
- Continuously pulsed at stated watts and duty cycle.
- Single pulse at stated watts (with coil at ambient room temperature 20°C).
- Other coil awg sizes available, consult factory.
- Reference number of turns.

All specifications subject to change without notice.

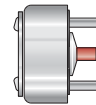
- No shafts
- 3 tapped holes
- Return spring



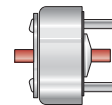
- Armature end shaft
- 3 tapped holes
- Return spring



- Base end shaft
- 3 tapped holes
- Return spring



- Double shaft
- 3 tapped holes
- Return spring



ROTARY Solenoids

Standard	Long Life	Standard	Long Life	Standard	Long Life	Standard	Long Life
H-1075-OXX	L-1075-OXX	H-2512-OXX	L-2512-OXX	H-3169-OXX	L-3169-OXX	H-2412-OXX	L-2412-OXX
H-2159-OXX	L-2159-OXX	H-2992-OXX	L-2992-OXX	H-2978-OXX	L-2978-OXX	H-15128-OXX	L-15128-OXX
H-2216-OXX	L-2216-OXX	H-2634-OXX	L-2634-OXX	H-2330-OXX	L-2330-OXX	H-2722-OXX	L-2722-OXX
H-2444-OXX	L-2444-OXX	H-3044-OXX	L-3044-OXX	H-15221-OXX	L-152221-OXX	H-2723-OXX	L-2723-OXX
H-2556-OXX	L-2556-OXX	H-3045-OXX	L-3045-OXX	H-1135-OXX	L-1135-OXX	H-2616-OXX	L-2616-OXX
H-2268-OXX	L-2268-OXX	H-2906-OXX	L-2906-OXX	H-2613-OXX	L-2613-OXX	H-15020-OXX	L-15020-OXX
H-2289-OXX	—	H-2550-OXX	—	H-15071-OXX	—	H-2542-OXX	—
H-2288-OXX	—	H-1330-OXX	—	H-3381-OXX	—	H-2940-OXX	—

Ledex® Rotary Solenoids Size 4E Precision Elongated Coil

Performance Specifications

Stroke	Holding Torque ² (lb-in)	Starting Torque (lb-in) ¹ @ 20°C Maximum Duty Cycle				
		100%	50%	25%	10%	5%
25°	2.0	0.9	1.7	3.1	4.5	5.2
35°	*	0.6	1.1	2.0	3.1	3.5
45°	1.0	0.4	0.9	1.6	2.6	3.1
55°	*	*	*	*	*	*
67½°	*	0.2	0.4	0.8	1.6	1.9
95°	0.9	0.2	0.3	0.6	1.0	1.2

All data is at 20°C coil temperature. Force (torque) outputs degrade with elevated temperatures.

- ¹ Gross starting torques are shown. For net available starting torque, subtract return spring torque of 0.18 lb.-in. ±20%.
- ² Holding torque is shown at the stabilized temperature of 105°C and continuous duty.
- * Consult factory.

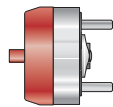
How to Order

- Using the Performance Chart to the left, select one of the five columns which provides the appropriate duty cycle for your application. Reading down this column locate the torque for the stroke you need. For net available starting torque, subtract return spring torque of 0.18 lb.-in. ±20% (if torque is insufficient go to next larger solenoid size).
- Use the chart below to select the model number corresponding to your desired design, stroke and direction of rotation (as viewed from armature end, opposite mounting studs).
- Using the Specification Chart to the right, select the same duty cycle column. Follow down the column into the VDC ratings. Select the voltage which most closely matches your supply voltage. Read across to the left to select the coil awg suffix.
- Replace the last two digits of the model number (XX) with the coil awg number to complete the part number.

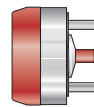
Please see www.ledex.com (click on Stock Products tab) for our list of stock products available through our North American distributors.

All catalog products manufactured after April 1, 2006 are RoHS Compliant

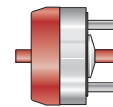
- Armature cover
- Armature end shaft
- Return spring



- Armature cover
- Base end shaft
- Return spring



- Armature cover
- Double shaft
- Return spring



Stroke/ Direction*	Nom. Axial Stroke	Standard		Long Life		Standard		Long Life	
		Standard	Long Life	Standard	Long Life	Standard	Long Life		
25° CW	0.036"	H-3271-0XX	L-3271-0XX	H-3108-0XX	L-3108-0XX	H-15000-0XX	L-15000-0XX	H-15001-0XX	L-15001-0XX
25° CCW	0.036"	H-3258-0XX	L-3258-0XX	H-2975-0XX	L-2975-0XX	H-3378-0XX	L-3378-0XX	H-3379-0XX	L-3379-0XX
35° CW	0.036"	H-15011-0XX	L-15011-0XX	H-1132-0XX	L-1132-0XX	H-2980-0XX	L-2980-0XX	H-2893-0XX	L-2893-0XX
35° CCW	0.036"	H-15015-0XX	L-15015-0XX	H-1258-0XX	L-1258-0XX	H-15222-0XX	—	H-15223-0XX	—
45° CW	0.036"	H-1246-0XX	L-1246-0XX	H-3126-0XX	L-3126-0XX	H-3074-0XX	—	H-1521-0XX	—
45° CCW	0.036"	H-1247-0XX	L-1247-0XX	H-2900-0XX	L-2900-0XX	H-3117-0XX	—	H-3084-0XX	—
55° CW	0.036"	H-15222-0XX	—	H-15223-0XX	—	H-15127-0XX	—	—	—
67½° CW	0.042"	H-15091-0XX	—	H-3074-0XX	—	H-3425-0XX	—	—	—
67½° CCW	0.042"	H-1435-0XX	—	H-1521-0XX	—	H-15122-0XX	—	—	—
95° CW	0.042"	H-1218-0XX	—	H-3117-0XX	—	H-3084-0XX	—	—	—
95° CCW	0.042"	H-2563-0XX	—	H-2640-0XX	—	H-15127-0XX	—	—	—

* Direction of rotation (cw – clockwise or ccw – counterclockwise) is viewed from the armature end of the solenoid opposite the mounting studs.

Note: The XX in the part number suffix must be filled in with the awg of your choice.

Ledex® Rotary Solenoids Size 4E Precision Elongated Coil

Coil Specifications

Maximum Duty Cycle	100%	50%	25%	10%	5%
Maximum ON Time (sec) when pulsed continuously ¹	∞	100	36	9	3.2
Maximum ON Time (sec) for single pulse ²	∞	162	44	10	3.5
Watts (@ 20°C)	12.5	25	50	125	250
Ampere Turns (@ 20°C)	714	1000	1425	2250	3200

Coil Data

awg (0XX) ³	Resistance (@20°C)	# Turns ⁴	VDC (Nom)	VDC (Nom)	VDC (Nom)	VDC (Nom)	VDC (Nom)
23	1.59	266	4.3	6.0	8.5	13.4	19.1
24	2.20	301	5.2	7.3	10.4	16.4	24.0
25	3.54	384	6.6	9.2	13.1	21.0	30.0
26	5.67	486	8.3	11.7	16.6	26.0	37.0
27	8.76	600	10.4	14.6	21.0	33.0	47.0
28	13.80	748	13.2	18.5	26.0	42.0	59.0
29	22.60	975	16.6	23.0	33.0	52.0	74.0
30	34.80	1190	21.0	29.0	42.0	66.0	94.0
31	56.70	1520	27.0	37.0	53.0	84.0	119.0
32	88.30	1908	33.0	46.0	66.0	104.0	148.0
33	138.00	2360	42.0	59.0	83.0	132.0	187.0

General Specifications

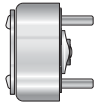
Dielectric Strength	23-24 awg, 1000 VRMS; 25-33 awg, 1200 VRMS
Recommended Minimum Heat Sink	Maximum watts dissipated by solenoid are based on an unrestricted flow of air at 20°C, with solenoid mounted on the equivalent of an aluminum plate measuring 6¼" square by 1/8" thick.
Coil Resistance	±5% tolerance
Starting Torque	Gross torque values are shown. For net starting torque, subtract return spring torque
Return Spring Torque	0.18 pound-inches ±20%
Weight	7 oz (198.4 gms)
Dimensions	See page D32

- Continuously pulsed at stated watts and duty cycle.
- Single pulse at stated watts (with coil at ambient room temperature 20°C).
- Other coil awg sizes available, consult factory.
- Reference number of turns.

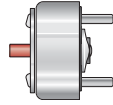
ROTARY Solenoids

All specifications subject to change without notice.

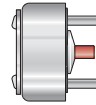
- No shafts
- 3 tapped holes
- Return spring



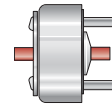
- Armature end shaft
- 3 tapped holes
- Return spring



- Base end shaft
- 3 tapped holes
- Return spring



- Double shaft
- 3 tapped holes
- Return spring



Standard	Long Life	Standard	Long Life	Standard	Long Life	Standard	Long Life
H-2650-0XX	L-2650-0XX	H-3324-0XX	L-3324-0XX	H-1174-0XX	L-1174-0XX	H-2413-0XX	L-2413-0XX
H-2741-0XX	L-2741-0XX	H-15120-0XX	L-15120-0XX	H-15125-0XX	L-15125-0XX	H-15135-0XX	L-15135-0XX
H-2952-0XX	L-2952-0XX	H-15016-0XX	L-15016-0XX	H-15230-0XX	L-15230-0XX	H-2995-0XX	L-2995-0XX
H-3352-0XX	L-3352-0XX	H-15229-0XX	L-15229-0XX	H-15231-0XX	L-15231-0XX	H-15236-0XX	L-15236-0XX
H-1168-0XX	L-1168-0XX	H-3071-0XX	L-3071-0XX	H-1310-0XX	L-1310-0XX	H-15237-0XX	L-15237-0XX
H-1226-0XX	L-1226-0XX	H-3125-0XX	L-3125-0XX	H-1309-0XX	L-1309-0XX	H-15238-0XX	L-15238-0XX
H-15225-0XX	—	H-15226-0XX	—	H-15227-0XX	—	H-15228-0XX	—
H-2310-0XX	—	H-3402-0XX	—	H-15233-0XX	—	H-15021-0XX	—
H-2967-0XX	—	H-15232-0XX	—	H-15234-0XX	—	H-15239-0XX	—
H-2862-0XX	—	H-2929-0XX	—	H-2626-0XX	—	H-2645-0XX	—
H-1263-0XX	—	H-2930-0XX	—	H-15235-0XX	—	H-1115-0XX	—

Ledex® Rotary Solenoids Size 5B Bobbin Coil

Performance Specifications

Stroke	Holding Torque ² (lb-in)	Starting Torque (lb-in) ¹ @ 20°C Maximum Duty Cycle				
		100%	50%	25%	10%	5%
25°	4.0	1.8	3.5	5.8	8.3	10.0
35°	*	0.9	2.1	4.1	6.9	8.3
45°	3.0	0.7	1.7	3.2	5.0	6.0
67½°	*	0.5	1.1	2.0	3.3	4.0
95°	2.0	0.2	0.4	0.9	1.6	1.9

All data is at 20°C coil temperature. Force (torque) outputs degrade with elevated temperatures.

- ¹ Gross starting torques are shown. For net available starting torque, subtract return spring torque of 0.25 lb.-in. ±20%.
- ² Holding torque is shown at the stabilized temperature of 105°C and continuous duty.
- * Consult factory.

All catalog products manufactured after April 1, 2006 are RoHS Compliant

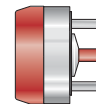
ROTARY Solenoids

How to Order

1. Using the Performance Chart to the left, select one of the five columns which provides the appropriate duty cycle for your application. Reading down this column locate the torque for the stroke you need. For net available starting torque, subtract return spring torque of 0.25 lb.-in. ±20% (if torque is insufficient go to next larger solenoid size).
2. Use the chart below to select the model number corresponding to your desired design, stroke and direction of rotation (as viewed from armature end, opposite mounting studs).
3. Using the Specification Chart to the right, select the same duty cycle column. Follow down the column into the VDC ratings. Select the voltage which most closely matches your supply voltage. Read across to the left to select the coil awg suffix.
4. Replace the last two digits of the model number (XX) with the coil awg number to complete the part number.

Please see www.ledex.com (click on Stock Products tab) for our list of stock products available through our North American distributors.

- Armature cover
- Base end shaft
- Return spring



Stroke/ Direction*	Nom. Axial Stroke	
25° CW	0.042"	810-380-5XX
25° CCW	0.042"	810-385-5XX
35° CW	0.045"	810-381-5XX
35° CCW	0.045"	810-386-5XX
45° CW	0.045"	810-382-5XX
45° CCW	0.045"	810-387-5XX
67½° CW	0.050"	810-383-5XX
67½° CCW	0.050"	810-388-5XX
95° CW	0.055"	810-384-5XX
95° CCW	0.055"	810-389-5XX

* Direction of rotation (cw – clockwise or ccw – counterclockwise) is viewed from the armature end of the solenoid opposite the mounting studs.

Note: The XX in the part number suffix must be filled in with the awg of your choice.

Ledex® Rotary Solenoids Size 5B Bobbin Coil

Coil Specifications

Maximum Duty Cycle	100%	50%	25%	10%	5%		
Maximum ON Time (sec) when pulsed continuously ¹	∞	100	36	10	3.5		
Maximum ON Time (sec) for single pulse ²	∞	160	44	13	4.6		
Watts (@ 20°C)	21	42	84	210	420		
Ampere Turns (@ 20°C)	890	1250	1760	2800	3987		
Coil Data							
awg (0XX) ³	Resistance (@20°C)	# Turns ⁴	VDC (Nom)	VDC (Nom)	VDC (Nom)	VDC (Nom)	VDC (Nom)
23	2.01	294	6.1	8.5	12.0	19.1	27.0
24	3.15	364	7.7	10.8	15.2	24.0	35.0
25	4.88	448	9.7	13.6	19.2	31.0	43.0
26	7.72	564	12.2	17.1	24.0	38.0	55.0
27	10.90	648	15.0	21.0	30.0	47.0	67.0
28	18.20	836	19.4	27.0	38.0	61.0	87.0
29	30.40	1105	25.0	34.0	48.0	77.0	110.0
30	42.50	1248	30.0	43.0	60.0	95.0	136.0
31	69.00	1590	39.0	54.0	76.0	122.0	173.0
32	107.00	2006	48.0	67.0	94.0	149.0	213.0
33	169.00	2470	61.0	86.0	120.0	192.0	273.0

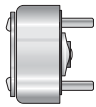
General Specifications

Dielectric Strength	23 awg, 1000 VRMS; 24-33 awg, 1200 VRMS
Recommended Minimum Heat Sink	Maximum watts dissipated by solenoid are based on an unrestricted flow of air at 20°C, with solenoid mounted on the equivalent of an aluminum plate measuring 7½" square by ⅛" thick.
Coil Resistance	±10% tolerance
Starting Torque	Gross torque values are shown. For net starting torque, subtract return spring torque
Return Spring Torque	0.25 pound-inches ±20%
Weight	10 oz (283.5 gm)
Dimensions	See page D33

- 1 Continuously pulsed at stated watts and duty cycle.
- 2 Single pulse at stated watts (with coil at ambient room temperature 20°C).
- 3 Other coil awg sizes available, consult factory.
- 4 Reference number of turns.

All specifications subject to change without notice.

- No shafts
- 3 tapped holes
- Return spring



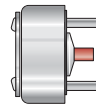
810-640-5XX
810-645-5XX
810-641-5XX
810-646-5XX
810-642-5XX
810-647-5XX
810-643-5XX
810-648-5XX
810-644-5XX
810-649-5XX

- Armature end shaft
- 3 tapped holes
- Return spring



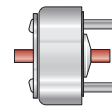
810-490-5XX
810-495-5XX
810-491-5XX
810-496-5XX
810-492-5XX
810-497-5XX
810-493-5XX
810-498-5XX
810-494-5XX
810-499-5XX

- Base end shaft
- 3 tapped holes
- Return spring



810-360-5XX
810-365-5XX
810-361-5XX
810-366-5XX
810-362-5XX
810-367-5XX
810-363-5XX
810-368-5XX
810-364-5XX
810-369-5XX

- Double shaft
- 3 tapped holes
- Return spring



810-280-5XX
810-285-5XX
810-281-5XX
810-286-5XX
810-282-5XX
810-287-5XX
810-283-5XX
810-288-5XX
810-284-5XX
810-289-5XX

Ledex® Rotary Solenoids Size 5S Precision Standard Coil

Performance Specifications

Stroke	Holding Torque ² (lb-in)	Starting Torque (lb-in) ¹ @ 20°C Maximum Duty Cycle				
		100%	50%	25%	10%	5%
25°	5.0	1.9	4.1	7.3	12.1	13.2
35°	*	1.2	2.6	4.5	7.8	9.2
45°	3.0	0.7	1.7	3.4	6.3	6.9
55°	*	*	*	*	*	*
67½°	*	0.5	1.2	2.2	3.9	4.9
75°	*	*	*	*	*	*
95°	2.0	0.2	0.5	1.0	1.9	2.6
110°	*	*	*	*	*	*

All data is at 20°C coil temperature. Force (torque) outputs degrade with elevated temperatures.

¹ Gross starting torques are shown. For net available starting torque, subtract return spring torque of 0.25 lb.-in. ±20%.

² Holding torque is shown at the stabilized temperature of 105°C and continuous duty.

* Consult factory.

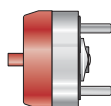
How to Order

- Using the Performance Chart to the left, select one of the five columns which provides the appropriate duty cycle for your application. Reading down this column locate the torque for the stroke you need. For net available starting torque, subtract return spring torque of 0.25 lb.-in. ±20% (if torque is insufficient go to next larger solenoid size).
- Use the chart below to select the model number corresponding to your desired design, stroke and direction of rotation (as viewed from armature end, opposite mounting studs).
- Using the Specification Chart to the right, select the same duty cycle column. Follow down the column into the VDC ratings. Select the voltage which most closely matches your supply voltage. Read across to the left to select the coil awg suffix.
- Replace the last two digits of the model number (XX) with the coil awg number to complete the part number.

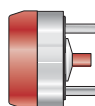
Please see www.ledex.com (click on Stock Products tab) for our list of stock products available through our North American distributors.

All catalog products manufactured after April 1, 2006 are RoHS Compliant

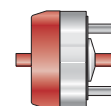
- Armature cover
- Armature end shaft
- Return spring



- Armature cover
- Base end shaft
- Return spring



- Armature cover
- Double shaft
- Return spring



Stroke/ Direction*	Nom. Axial Stroke	Standard		Long Life		Standard		Long Life	
		Standard	Long Life	Standard	Long Life	Standard	Long Life		
25° CW	0.042"	H-2480-0XX	L-2480-0XX	H-2073-0XX	L-2073-0XX	H-15165-0XX	L-15165-0XX	H-3421-0XX	L-3421-0XX
25° CCW	0.042"	H-2657-0XX	L-2657-0XX	H-2593-0XX	L-2593-0XX	H-2874-0XX	L-2874-0XX	H-1423-0XX	L-1423-0XX
35° CW	0.045"	H-2658-0XX	L-2658-0XX	H-2681-0XX	L-2681-0XX	H-1345-0XX	L-1345-0XX	H-15072-0XX	L-15072-0XX
35° CCW	0.045"	H-3384-0XX	L-3384-0XX	H-2479-0XX	L-2479-0XX	H-15315-0XX	L-15315-0XX	H-15316-0XX	L-15316-0XX
45° CW	0.045"	H-2527-0XX	L-2527-0XX	H-2383-0XX	L-2383-0XX	H-1390-0XX	L-1390-0XX	H-3375-0XX	L-3375-0XX
45° CCW	0.045"	H-1125-0XX	L-1125-0XX	H-2300-0XX	L-2300-0XX	H-3377-0XX	L-3377-0XX	H-15317-0XX	L-15317-0XX
55° CW	0.048"	H-15305-0XX	—	H-15310-0XX	—	H-15318-0XX	L-15318-0XX	—	—
55° CCW	0.048"	H-15306-0XX	—	H-15311-0XX	—	H-15319-0XX	L-15319-0XX	—	—
67½° CW	0.050"	H-1390-0XX	—	H-2349-0XX	—	—	—	—	—
67½° CCW	0.050"	H-3385-0XX	—	H-2262-0XX	—	—	—	—	—
75° CCW	0.050"	H-15307-0XX	—	H-15312-0XX	—	—	—	—	—
95° CW	0.055"	H-2010-0XX	—	H-2382-0XX	—	—	—	—	—
95° CCW	0.055"	H-1248-0XX	—	H-2747-0XX	—	—	—	—	—
110° CW	0.055"	H-15308-0XX	—	H-15313-0XX	—	—	—	—	—
110° CCW	0.055"	H-15309-0XX	—	H-15314-0XX	—	—	—	—	—

* Direction of rotation (cw – clockwise or ccw – counterclockwise) is viewed from the armature end of the solenoid opposite the mounting studs.

Note: The XX in the part number suffix must be filled in with the awg of your choice.

Ledex® Rotary Solenoids Size 5S Precision Standard Coil

Coil Specifications

Maximum Duty Cycle	100%	50%	25%	10%	5%
Maximum ON Time (sec) when pulsed continuously ¹	∞	100	36	10	3.5
Maximum ON Time (sec) for single pulse ²	∞	160	44	13	4.6
Watts (@ 20°C)	21	42	84	210	420
Ampere Turns (@ 20°C)	860	1220	1720	2730	3853

Coil Data

awg (0XX) ³	Resistance (@20°C)	# Turns ⁴	VDC (Nom)	VDC (Nom)	VDC (Nom)	VDC (Nom)	VDC (Nom)
23	2.03	288	6.1	8.6	12.1	19.2	27.0
24	3.20	360	7.6	10.8	15.3	24.0	34.0
25	4.91	440	9.6	13.6	19.2	31.0	43.0
26	7.72	550	12.1	17.1	24.0	38.0	54.0
27	11.12	636	15.0	21.0	30.0	48.0	67.0
28	18.79	840	19.2	27.0	39.0	61.0	86.0
29	30.48	1088	24.0	34.0	48.0	77.0	108.0
30	44.86	1275	30.0	43.0	61.0	96.0	136.0
31	70.90	1596	38.0	54.0	76.0	121.0	171.0
32	109.00	1974	47.0	67.0	95.0	150.0	212.0
33	175.00	2496	60.0	86.0	121.0	192.0	271.0

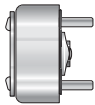
General Specifications

Dielectric Strength	23 awg, 1000 VRMS; 24-33 awg, 1200 VRMS
Recommended Minimum Heat Sink	Maximum watts dissipated by solenoid are based on an unrestricted flow of air at 20°C, with solenoid mounted on the equivalent of an aluminum plate measuring 7 1/2" square by 1/8" thick.
Coil Resistance	±5% tolerance
Starting Torque	Gross torque values are shown. For net starting torque, subtract return spring torque
Return Spring Torque	0.25 pound-inches ±20%
Weight	9.0 oz (255.2 gms)
Dimensions	See page D34

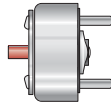
- Continuously pulsed at stated watts and duty cycle.
- Single pulse at stated watts (with coil at ambient room temperature 20°C).
- Other coil awg sizes available, consult factory.
- Reference number of turns.

All specifications subject to change without notice.

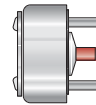
- No shafts
- 3 tapped holes
- Return spring



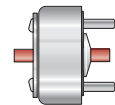
- Armature end shaft
- 3 tapped holes
- Return spring



- Base end shaft
- 3 tapped holes
- Return spring



- Double shaft
- 3 tapped holes
- Return spring



ROTARY Solenoids

Standard	Long Life	Standard	Long Life	Standard	Long Life	Standard	Long Life
H-1082-0XX	L-1082-0XX	H-2668-0XX	L-2668-0XX	H-2050-0XX	L-2050-0XX	H-2414-0XX	L-2414-0XX
H-2434-0XX	L-2434-0XX	H-2669-0XX	L-2669-0XX	H-3189-0XX	L-3189-0XX	H-2708-0XX	L-2708-0XX
H-2560-0XX	L-2560-0XX	H-3151-0XX	L-3151-0XX	H-2186-0XX	L-2186-0XX	H-2875-0XX	L-2875-0XX
H-1087-0XX	L-1087-0XX	H-1431-0XX	L-1431-0XX	H-3276-0XX	L-3276-0XX	H-2016-0XX	L-2016-0XX
H-2397-0XX	L-2397-0XX	H-2555-0XX	L-2555-0XX	H-2136-0XX	L-2136-0XX	H-3397-0XX	L-3397-0XX
H-2185-0XX	L-2185-0XX	H-3238-0XX	L-3238-0XX	H-1308-0XX	L-1308-0XX	H-2845-0XX	L-2845-0XX
H-15320-0XX	—	H-15325-0XX	—	H-15330-0XX	—	H-15335-0XX	—
H-15321-0XX	—	H-15326-0XX	—	H-15331-0XX	—	H-15336-0XX	—
H-2522-0XX	—	H-2075-0XX	—	H-1020-0XX	—	H-3399-0XX	—
H-2902-0XX	—	H-3249-0XX	—	H-15055-0XX	—	H-3400-0XX	—
H-15322-0XX	—	H-15327-0XX	—	H-15332-0XX	—	H-15337-0XX	—
H-2714-0XX	—	H-2074-0XX	—	H-2957-0XX	—	H-1155-0XX	—
H-2296-0XX	—	H-2150-0XX	—	H-1307-0XX	—	H-1154-0XX	—
H-15323-0XX	—	H-15328-0XX	—	H-15333-0XX	—	H-15338-0XX	—
H-15324-0XX	—	H-15329-0XX	—	H-15334-0XX	—	H-15339-0XX	—

Ledex® Rotary Solenoids Size 6S Precision Standard Coil

Performance Specifications

Stroke	Holding Torque ² (lb-in)	Starting Torque (lb-in) ¹ @ 20°C Maximum Duty Cycle				
		100%	50%	25%	10%	5%
25°	9.0	4.6	8.9	16.2	27.8	30.6
35°	*	3.4	6.5	12.0	18.6	20.5
45°	6.0	1.7	3.5	6.5	11.0	12.1
55°	*	*	*	*	*	*
67½°	*	1.6	3.1	5.6	8.8	9.7
95°	3.0	0.9	1.7	3.3	5.2	5.7
110°	*	*	*	*	*	*

All data is at 20°C coil temperature. Force (torque) outputs degrade with elevated temperatures.

¹ Gross starting torques are shown. For net available starting torque, subtract return spring torque of 0.50 lb.-in. ±20%.

² Holding torque is shown at the stabilized temperature of 105°C and continuous duty.

* Consult factory.

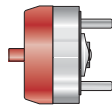
How to Order

- Using the Performance Chart to the left, select one of the five columns which provides the appropriate duty cycle for your application. Reading down this column locate the torque for the stroke you need. For net available starting torque, subtract return spring torque of 0.50 lb.-in. ±20% (if torque is insufficient go to next larger solenoid size).
- Use the chart below to select the model number corresponding to your desired design, stroke and direction of rotation (as viewed from armature end, opposite mounting studs).
- Using the Specification Chart to the right, select the same duty cycle column. Follow down the column into the VDC ratings. Select the voltage which most closely matches your supply voltage. Read across to the left to select the coil awg suffix.
- Replace the last two digits of the model number (XX) with the coil awg number to complete the part number.

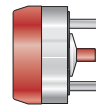
Please see www.ledex.com (click on Stock Products tab) for our list of stock products available through our North American distributors.

All catalog products manufactured after April 1, 2006 are RoHS Compliant

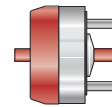
- Armature cover
- Armature end shaft
- Return spring



- Armature cover
- Base end shaft
- Return spring



- Armature cover
- Double shaft
- Return spring



Stroke/ Direction*	Nom. Axial Stroke	Standard		Long Life		Standard		Long Life	
		Standard	Long Life	Standard	Long Life	Standard	Long Life		
25° CW	0.055"	H-1202-0XX	L-1202-0XX	H-2484-0XX	L-2484-0XX	H-3376-0XX	L-3376-0XX	H-15036-0XX	L-15036-0XX
25° CCW	0.055"	H-1005-0XX	L-1005-0XX	H-2485-0XX	L-2485-0XX	H-15036-0XX	L-15036-0XX	H-3365-0XX	L-3365-0XX
35° CW	0.058"	H-15023-0XX	L-15023-0XX	H-2916-0XX	L-2916-0XX	H-2964-0XX	L-2964-0XX	H-3365-0XX	L-3365-0XX
35° CCW	0.058"	H-15024-0XX	L-15024-0XX	H-2942-0XX	L-2942-0XX	H-2964-0XX	L-2964-0XX	H-3308-0XX	L-3308-0XX
45° CW	0.060"	H-3136-0XX	L-3136-0XX	H-2817-0XX	L-2817-0XX	H-15066-0XX	L-15066-0XX	H-15066-0XX	L-15066-0XX
45° CCW	0.060"	H-2510-0XX	L-2510-0XX	H-2698-0XX	L-2698-0XX	H-3308-0XX	L-3308-0XX	H-15400-0XX	—
55° CW	0.060"	H-15400-0XX	—	H-15403-0XX	—	H-15406-0XX	—	H-1182-0XX	—
67½° CW	0.060"	H-1182-0XX	—	H-2181-0XX	—	H-1483-0XX	—	H-2293-0XX	—
67½° CCW	0.060"	H-2293-0XX	—	H-2671-0XX	—	H-1481-0XX	—	H-3230-0XX	—
95° CW	0.060"	H-3230-0XX	—	H-2643-0XX	—	H-1078-0XX	—	H-1351-0XX	—
95° CCW	0.060"	H-1351-0XX	—	H-2223-0XX	—	H-15095-0XX	—	H-15401-0XX	—
110° CW	0.066"	H-15401-0XX	—	H-15404-0XX	—	H-15407-0XX	—	H-15402-0XX	—
110° CCW	0.066"	H-15402-0XX	—	H-15405-0XX	—	H-15408-0XX	—		

* Direction of rotation (cw – clockwise or ccw – counterclockwise) is viewed from the armature end of the solenoid opposite the mounting studs.

Note: The XX in the part number suffix must be filled in with the awg of your choice.

Ledex® Rotary Solenoids Size 6S Precision Standard Coil

Coil Specifications

Maximum Duty Cycle	100%	50%	25%	10%	5%
Maximum ON Time (sec) when pulsed continuously ¹	∞	87	36	13	4.6
Maximum ON Time (sec) for single pulse ²	∞	140	44	16	5.7
Watts (@ 20°C)	32	64	128	320	640
Ampere Turns (@ 20°C)	1240	1760	2490	3920	5555

Coil Data

awg (0XX) ³	Resistance (@20°C)	# Turns ⁴	VDC (Nom)	VDC (Nom)	VDC (Nom)	VDC (Nom)	VDC (Nom)
23	3.59	432	10.3	14.6	21.0	33.0	46.0
24	5.24	500	13.0	18.4	26.0	41.0	58.0
25	9.51	708	16.7	24.0	33.0	53.0	75.0
26	14.44	858	21.0	30.0	42.0	66.0	94.0
27	23.69	1110	27.0	38.0	53.0	84.0	119.0
28	38.27	1411	34.0	48.0	68.0	106.0	151.0
29	54.62	1638	41.0	59.0	83.0	131.0	185.0
30	93.67	2184	53.0	76.0	107.0	168.0	238.0
31	143.00	2645	67.0	95.0	134.0	211.0	299.0
32	223.00	3328	83.0	118.0	167.0	262.0	372.0
33	338.00	4004	105.0	149.0	210.0	331.0	469.0

General Specifications

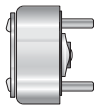
Dielectric Strength	23-31 awg, 1200 VRMS; 32-33 awg, 1500 VRMS
Recommended Minimum Heat Sink	Maximum watts dissipated by solenoid are based on an unrestricted flow of air at 20°C, with solenoid mounted on the equivalent of an aluminum plate measuring 12 ³ / ₈ " square by 1 ¹ / ₈ " thick.
Coil Resistance	±5% tolerance
Starting Torque	Gross torque values are shown. For net starting torque, subtract return spring torque
Return Spring Torque	0.5 pound-inches ±20%
Weight	1 lb 2 oz (510.3 gms)
Dimensions	See page D35

- Continuously pulsed at stated watts and duty cycle.
- Single pulse at stated watts (with coil at ambient room temperature 20°C).
- Other coil awg sizes available, consult factory.
- Reference number of turns.

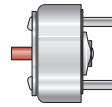
ROTARY Solenoids

All specifications subject to change without notice.

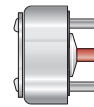
- No shafts
- 3 tapped holes
- Return spring



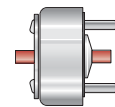
- Armature end shaft
- 3 tapped holes
- Return spring



- Base end shaft
- 3 tapped holes
- Return spring



- Double shaft
- 3 tapped holes
- Return spring



Standard	Long Life	Standard	Long Life	Standard	Long Life	Standard	Long Life
H-2481-0XX	L-2481-0XX	H-3055-0XX	L-3055-0XX	H-2184-0XX	L-2184-0XX	H-15067-0XX	L-15067-0XX
H-1002-0XX	L-1002-0XX	H-1291-0XX	L-1291-0XX	H-1306-0XX	L-1306-0XX	H-15123-0XX	L-15123-0XX
H-2861-0XX	L-2861-0XX	H-1230-0XX	L-1230-0XX	H-15417-0XX	L-15417-0XX	H-2057-0XX	L-2057-0XX
H-2269-0XX	L-2269-0XX	H-15412-0XX	L-15412-0XX	H-15418-0XX	L-15418-0XX	H-15136-0XX	L-15136-0XX
H-1112-0XX	L-1112-0XX	H-15013-0XX	L-15013-0XX	H-1311-0XX	L-1311-0XX	H-15064-0XX	L-15064-0XX
H-2328-0XX	L-2328-0XX	H-3208-0XX	L-3208-0XX	H-1286-0XX	L-1286-0XX	H-15424-0XX	L-15424-0XX
H-15409-0XX	—	H-15413-0XX	—	H-15419-0XX	—	H-15425-0XX	—
H-2404-0XX	—	H-3264-0XX	—	H-15420-0XX	—	H-15426-0XX	—
H-2661-0XX	—	H-15414-0XX	—	H-15421-0XX	—	H-15427-0XX	—
H-2072-0XX	—	H-2826-0XX	—	H-1313-0XX	—	H-2001-0XX	—
H-2071-0XX	—	H-3002-0XX	—	H-2936-0XX	—	H-15030-0XX	—
H-15410-0XX	—	H-15415-0XX	—	H-15422-0XX	—	H-15428-0XX	—
H-15411-0XX	—	H-15416-0XX	—	H-15423-0XX	—	H-15429-0XX	—

Ledex® Rotary Solenoids Size 7S Precision Standard Coil

Performance Specifications

Stroke	Holding Torque ² (lb-in)	Starting Torque (lb-in) ¹ @ 20°C Maximum Duty Cycle				
		100%	50%	25%	10%	5%
25°	20.0	11.0	23.8	33.2	42.4	46.6
35°	*	6.0	12.0	22.0	38.0	42.0
45°	13.0	5.0	8.8	16.4	29.8	32.8
55°	*	*	*	*	*	*
67½°	*	2.5	5.1	9.8	17.5	19.3
95°	6.0	1.5	3.5	6.4	10.5	11.6

All data is at 20°C coil temperature. Force (torque) outputs degrade with elevated temperatures.

- Gross starting torques are shown. For net available starting torque, subtract return spring torque of 0.75 lb.-in. ±20%.
- Holding torque is shown at the stabilized temperature of 105°C and continuous duty.
- Consult factory.

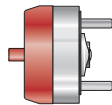
How to Order

- Using the Performance Chart to the left, select one of the five columns which provides the appropriate duty cycle for your application. Reading down this column locate the torque for the stroke you need. For net available starting torque, subtract return spring torque of 0.75 lb.-in. ±20% (if torque is insufficient go to next larger solenoid size).
- Use the chart below to select the model number corresponding to your desired design, stroke and direction of rotation (as viewed from armature end, opposite mounting studs).
- Using the Specification Chart to the right, select the same duty cycle column. Follow down the column into the VDC ratings. Select the voltage which most closely matches your supply voltage. Read across to the left to select the coil awg suffix.
- Replace the last two digits of the model number (XX) with the coil awg number to complete the part number.

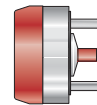
Please see www.ledex.com (click on Stock Products tab) for our list of stock products available through our North American distributors.

All catalog products manufactured after April 1, 2006 are RoHS Compliant

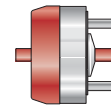
- Armature cover
- Armature end shaft
- Return spring



- Armature cover
- Base end shaft
- Return spring



- Armature cover
- Double shaft
- Return spring



Stroke/ Direction*	Nom. Axial Stroke	Standard		Long Life		Standard		Long Life	
		Standard	Long Life	Standard	Long Life	Standard	Long Life		
25° CW	0.075"	H-3057-0XX	L-3057-0XX	H-2477-0XX	L-2477-0XX	H-2309-0XX	L-2309-0XX	H-15009-0XX	L-15009-0XX
25° CCW	0.075"	H-1354-0XX	L-1354-0XX	H-2592-0XX	L-2592-0XX	H-15103-0XX	L-15103-0XX	H-15009-0XX	L-15009-0XX
35° CW	0.078"	H-15076-0XX	L-15076-0XX	H-2355-0XX	L-2355-0XX	H-3406-0XX	L-3406-0XX	H-15103-0XX	L-15103-0XX
35° CCW	0.078"	H-15485-0XX	L-15485-0XX	H-2323-0XX	L-2323-0XX	H-15103-0XX	L-15103-0XX	H-15103-0XX	L-15103-0XX
45° CW	0.080"	H-1355-0XX	L-1355-0XX	H-3070-0XX	L-3070-0XX	H-1428-0XX	L-1428-0XX	H-15054-0XX	L-15054-0XX
45° CCW	0.080"	H-1356-0XX	L-1356-0XX	H-3148-0XX	L-3148-0XX	H-15054-0XX	L-15054-0XX	H-15054-0XX	L-15054-0XX
55° CW	0.080"	H-15486-0XX	—	H-15487-0XX	—	H-15488-0XX	—	H-15488-0XX	—
67½° CW	0.080"	H-2809-0XX	—	H-2400-0XX	—	H-1480-0XX	—	H-1480-0XX	—
67½° CCW	0.080"	H-15061-0XX	—	H-2303-0XX	—	H-1484-0XX	—	H-1484-0XX	—
95° CW	0.088"	H-1178-0XX	—	H-3069-0XX	—	H-1334-0XX	—	H-1334-0XX	—
95° CCW	0.088"	H-1357-0XX	—	H-2858-0XX	—	H-15121-0XX	—	H-15121-0XX	—

* Direction of rotation (cw – clockwise or ccw – counterclockwise) is viewed from the armature end of the solenoid opposite the mounting studs.

Note: The XX in the part number suffix must be filled in with the awg of your choice.

Ledex® Rotary Solenoids Size 7S Precision Standard Coil

Coil Specifications

Maximum Duty Cycle	100%	50%	25%	10%	5%
Maximum ON Time (sec) when pulsed continuously ¹	∞	80	38	16	5.7
Maximum ON Time (sec) for single pulse ²	∞	138	50	18	6.4
Watts (@ 20°C)	35	70	140	350	700
Ampere Turns (@ 20°C)	1570	2230	3150	5000	7034

Coil Data

awg (0XX) ³	Resistance (@20°C)	# Turns ⁴	VDC (Nom)	VDC (Nom)	VDC (Nom)	VDC (Nom)	VDC (Nom)
23	8.09	780	16.3	23.0	33.0	52.0	73.0
24	12.34	949	21.0	29.0	41.0	65.0	92.0
25	18.62	1148	26.0	37.0	52.0	83.0	116.0
26	30.84	1472	33.0	47.0	66.0	105.0	147.0
27	48.77	1854	41.0	59.0	83.0	132.0	185.0
28	81.14	2436	52.0	74.0	105.0	167.0	234.0
29	121.0	2944	65.0	92.0	130.0	206.0	290.0
30	190.0	3650	82.0	116.0	164.0	261.0	367.0
31	275.0	4175	103.0	147.0	208.0	329.0	463.0
32	440.0	5292	130.0	169.0	239.0	380.0	—
33	715.0	6650	158.0	223.0	316.0	—	—

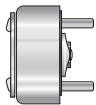
General Specifications

Dielectric Strength	23-29 awg, 1200 VRMS; 30-33 awg, 1500 VRMS
Recommended Minimum Heat Sink	Maximum watts dissipated by solenoid are based on an unrestricted flow of air at 20°C, with solenoid mounted on the equivalent of an aluminum plate measuring 15 $\frac{1}{8}$ " square by $\frac{1}{8}$ " thick.
Coil Resistance	23-30 awg, $\pm 5\%$ tolerance; 31-33 awg, $\pm 10\%$ tolerance
Starting Torque	Gross torque values are shown. For net starting torque, subtract return spring torque
Return Spring Torque	0.75 pound-inches $\pm 20\%$
Weight	2.25 lb (1.020 kgs)
Dimensions	See page D36

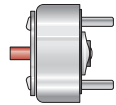
- ¹ Continuously pulsed at stated watts and duty cycle.
- ² Single pulse at stated watts (with coil at ambient room temperature 20°C).
- ³ Other coil awg sizes available, consult factory.
- ⁴ Reference number of turns.

All specifications subject to change without notice.

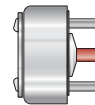
- No shafts
- 3 tapped holes
- Return spring



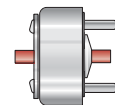
- Armature end shaft
- 3 tapped holes
- Return spring



- Base end shaft
- 3 tapped holes
- Return spring



- Double shaft
- 3 tapped holes
- Return spring

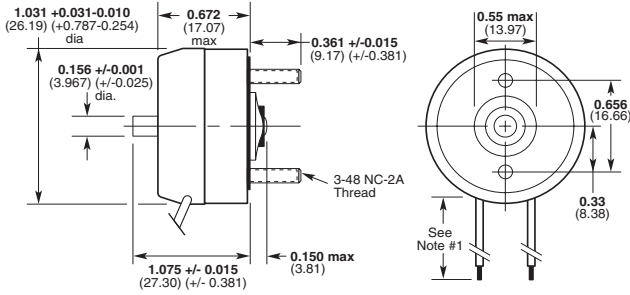


Standard	Long Life	Standard	Long Life	Standard	Long Life	Standard	Long Life
H-1352-0XX	L-1352-0XX	H-15491-0XX	L-15491-0XX	H-2490-0XX	L-2490-0XX	H-2415-0XX	L-2415-0XX
H-2590-0XX	L-2590-0XX	H-1197-0XX	L-1197-0XX	H-3362-0XX	L-3362-0XX	H-15116-0XX	L-15116-0XX
H-2388-0XX	L-2388-0XX	H-15492-0XX	L-15492-0XX	H-15498-0XX	L-15498-0XX	H-15134-0XX	L-15134-0XX
H-15616-0XX	L-15616-0XX	H-15493-0XX	L-15493-0XX	H-1467-0XX	L-1467-0XX	H-15137-0XX	L-15137-0XX
H-2950-0XX	L-2950-0XX	H-3007-0XX	L-3007-0XX	H-1312-0XX	L-1312-0XX	H-15502-0XX	L-15502-0XX
H-3096-0XX	L-3096-0XX	H-15014-0XX	L-15014-0XX	H-1317-0XX	L-1317-0XX	H-15503-0XX	L-15503-0XX
H-15490-0XX	—	H-15494-0XX	—	H-15499-0XX	—	H-15614-0XX	—
H-3350-0XX	—	H-15495-0XX	—	H-15500-0XX	—	H-15504-0XX	—
H-15158-0XX	—	H-15496-0XX	—	H-15501-0XX	—	H-15505-0XX	—
H-1353-0XX	—	H-15104-0XX	—	H-2869-0XX	—	H-3037-0XX	—
H-3289-0XX	—	H-15497-0XX	—	H-1316-0XX	—	H-15506-0XX	—

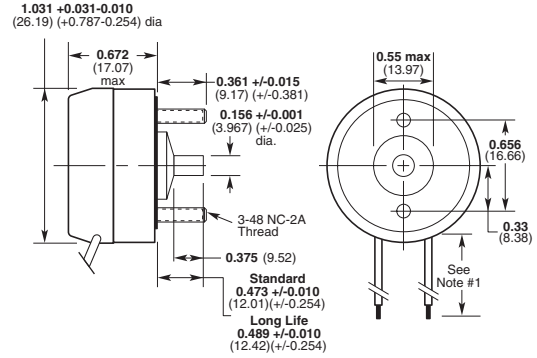
Ledex[®] Rotary Solenoids 1E Dimensions

Inches (mm)

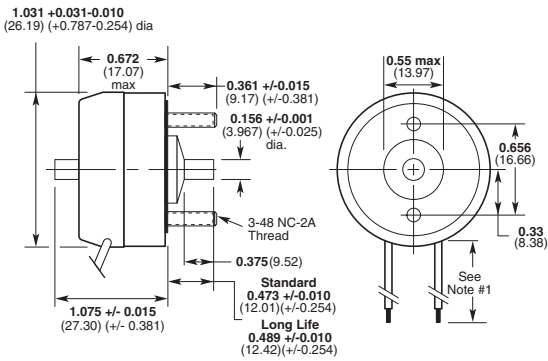
Armature Cover Configuration — Armature End Shaft



Armature Cover Configuration — Base End Shaft



Armature Cover Configuration — Double Shaft

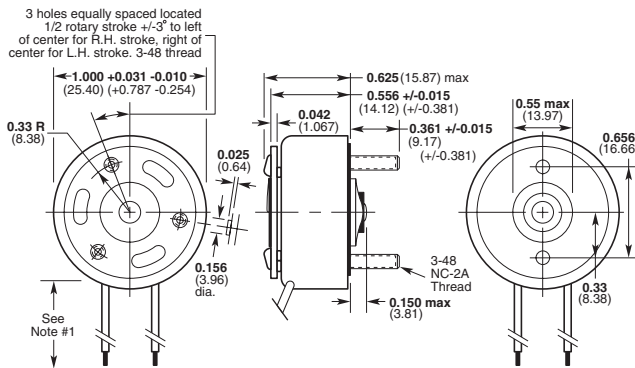


Notes:

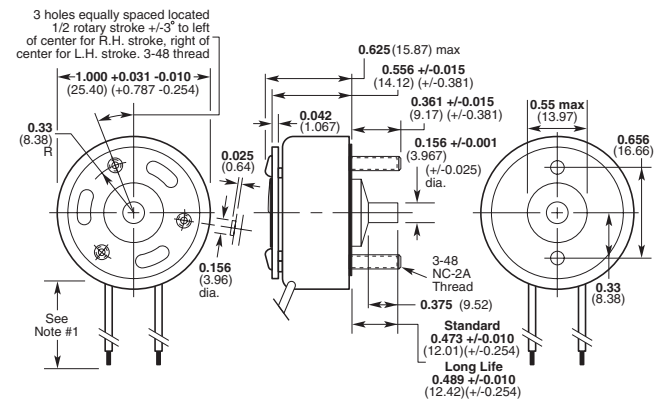
- 1) All configurations have 10" (254 mm) minimum leads. 24 awg. PVC insulation.
- 2) For electrical specs and performance charts, see pages D10-D11.

All specifications subject to change without notice.

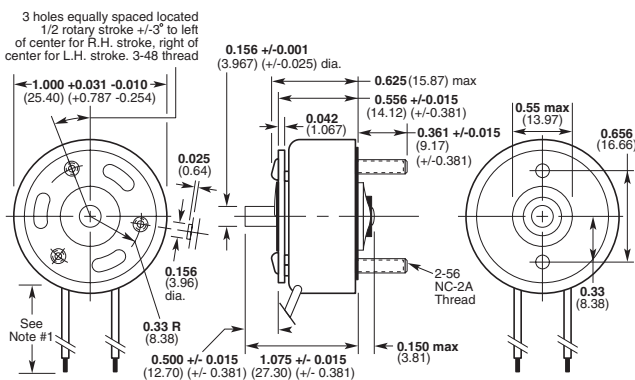
No Shaft



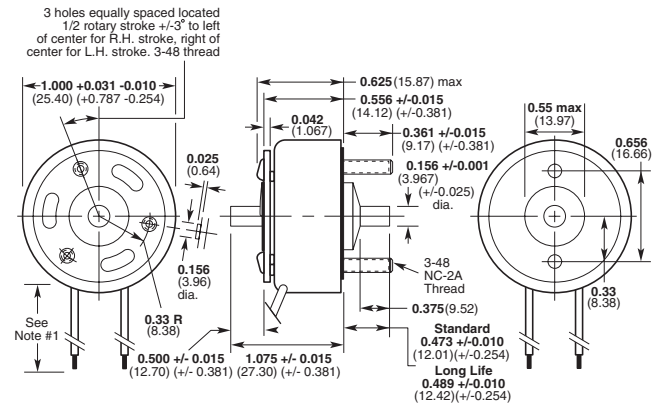
Base End Shaft



Armature End Shaft



Double Shaft

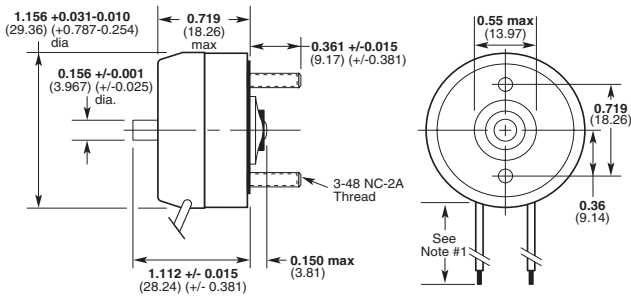


ROTARY Solenoids

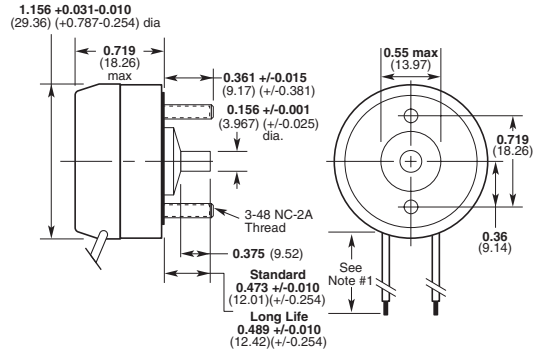
Ledex® Rotary Solenoids 2E Dimensions

Inches (mm)

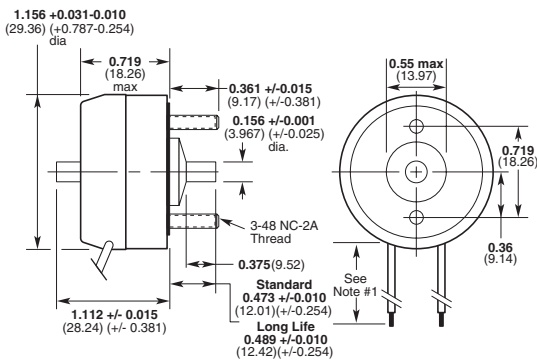
Armature Cover Configuration — Armature End Shaft



Armature Cover Configuration — Base End Shaft



Armature Cover Configuration — Double Shaft

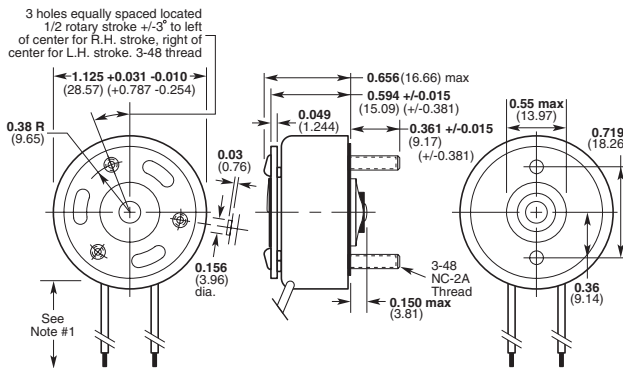


Notes:

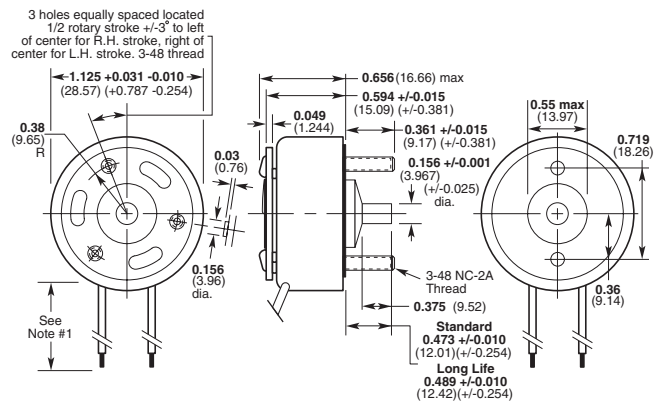
- 1) All configurations have 10" (254 mm) minimum leads, 24 awg, PVC insulation.
- 2) For electrical specs and performance charts, see pages D12-D13.

All specifications subject to change without notice.

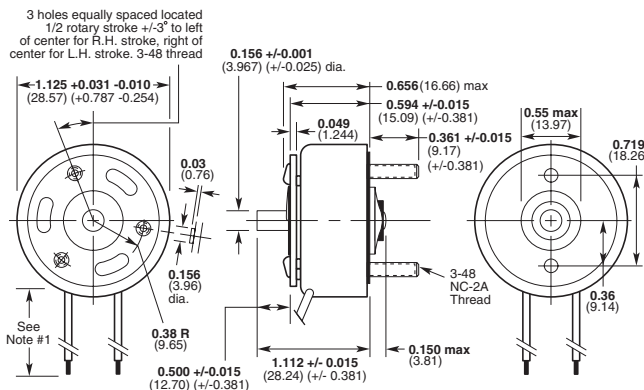
No Shaft



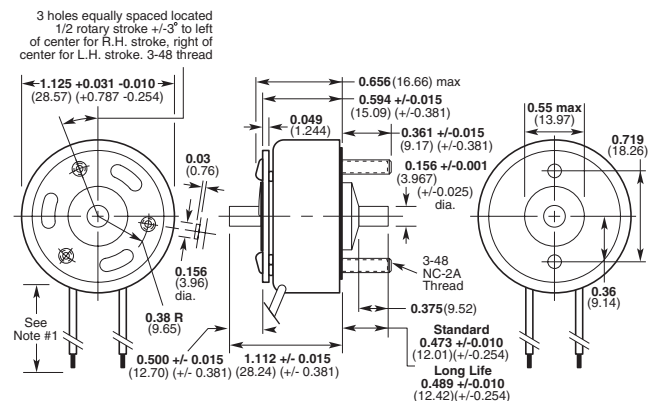
Base End Shaft



Armature End Shaft



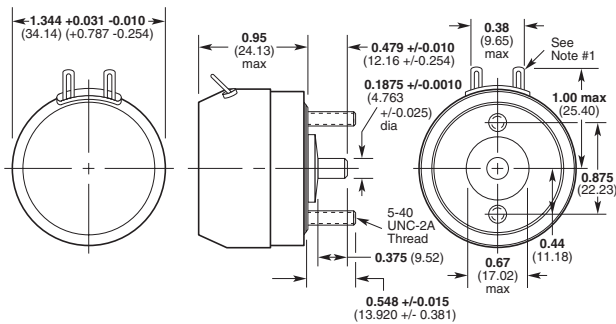
Double Shaft



Ledex[®] Rotary Solenoids 3B Dimensions

Inches (mm)

Armature Cover Configuration — Base End Shaft



Notes:

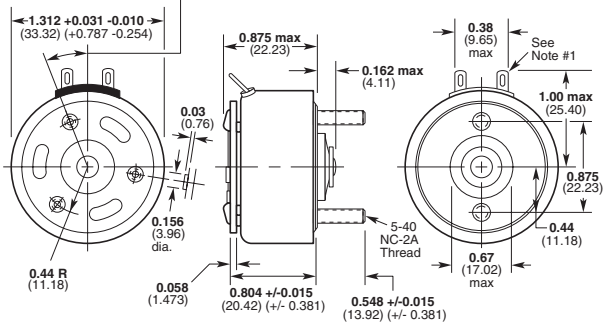
- 1) All configurations have solder lug terminals. 0.093" (2.36) wide x 0.018 (0.457) thick.
- 2) For electrical specs and performance charts, see pages D14-D15.

All specifications subject to change without notice.

ROTARY Solenoids

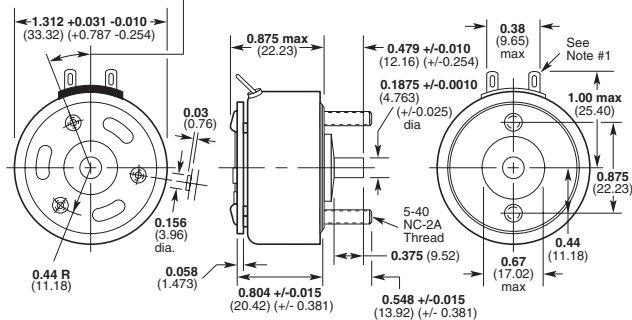
No Shaft

3 holes equally spaced located 1/2 rotary stroke +/-3° to left of center for R.H. stroke, right of center for L.H. stroke. 3-48 thread



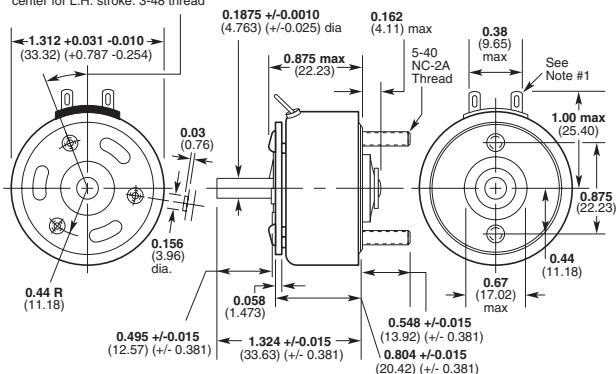
Base End Shaft

3 holes equally spaced located 1/2 rotary stroke +/-3° to left of center for R.H. stroke, right of center for L.H. stroke. 3-48 thread



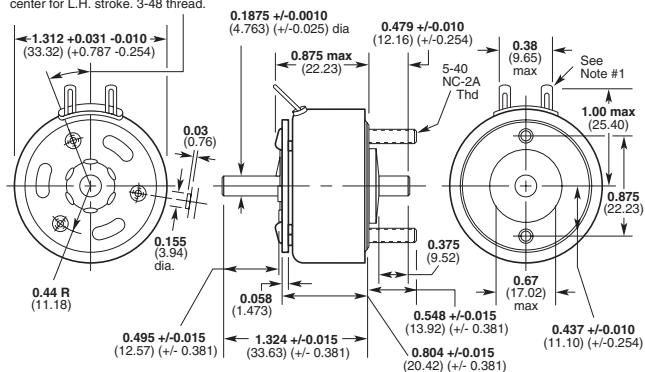
Armature End Shaft

3 holes equally spaced located 1/2 rotary stroke +/-3° to left of center for R.H. stroke, right of center for L.H. stroke. 3-48 thread



Double Shaft

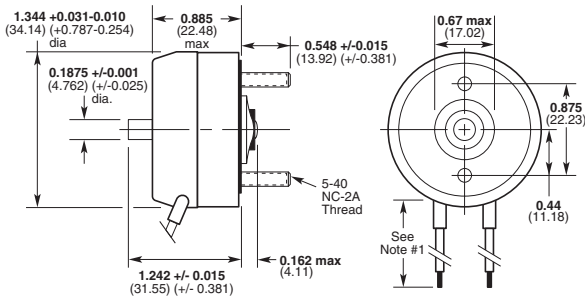
3 holes equally spaced located 1/2 rotary stroke +/-3° to left of center for R.H. stroke, right of center for L.H. stroke. 3-48 thread.



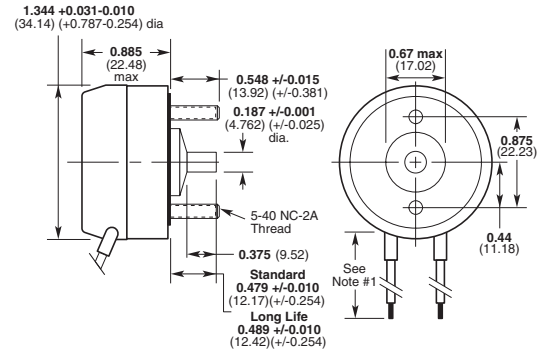
Ledex® Rotary Solenoids 3E Dimensions

Inches (mm)

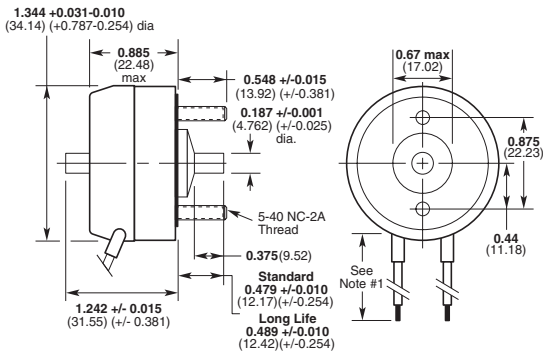
Armature Cover Configuration — Armature End Shaft



Armature Cover Configuration — Base End Shaft



Armature Cover Configuration — Double Shaft



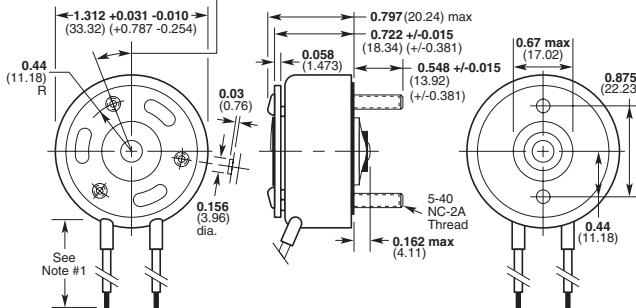
Notes:

- 1) All configurations have 10" (254 mm) minimum leads, 24 awg. PVC insulation.
- 2) For electrical specs and performance charts, see pages D16-D17.

All specifications subject to change without notice.

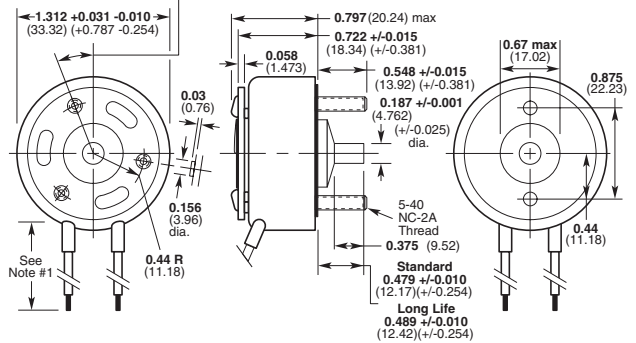
No Shaft

3 holes equally spaced located 1/2 rotary stroke +/- 3° to left of center for R.H. stroke, right of center for L.H. stroke. 3-48 thread



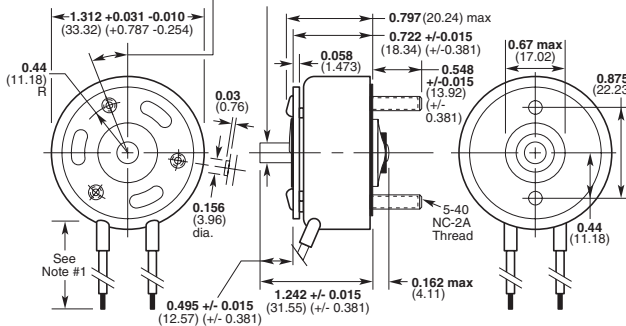
Base End Shaft

3 holes equally spaced located 1/2 rotary stroke +/- 3° to left of center for R.H. stroke, right of center for L.H. stroke. 3-48 thread



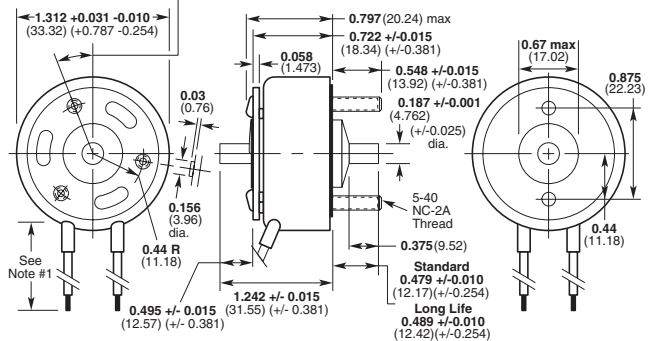
Armature End Shaft

3 holes equally spaced located 1/2 rotary stroke +/- 3° to left of center for R.H. stroke, right of center for L.H. stroke. 3-48 thread



Double Shaft

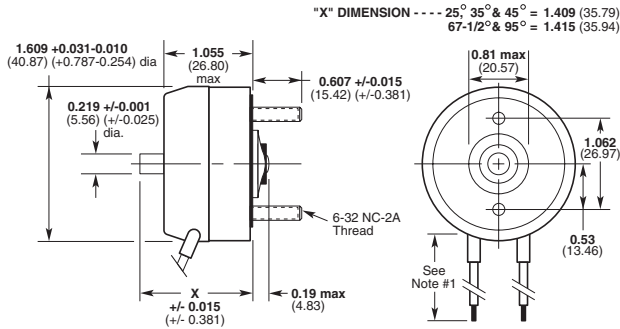
3 holes equally spaced located 1/2 rotary stroke +/- 3° to left of center for R.H. stroke, right of center for L.H. stroke. 3-48 thread



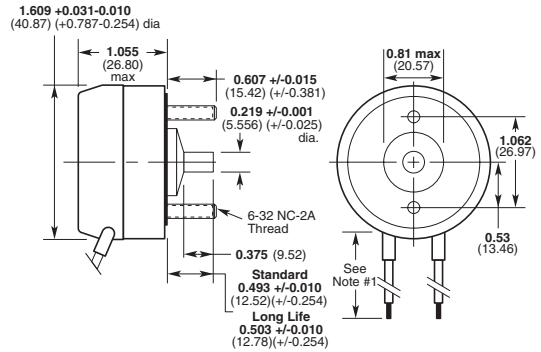
Ledex[®] Rotary Solenoids 4E Dimensions

Inches (mm)

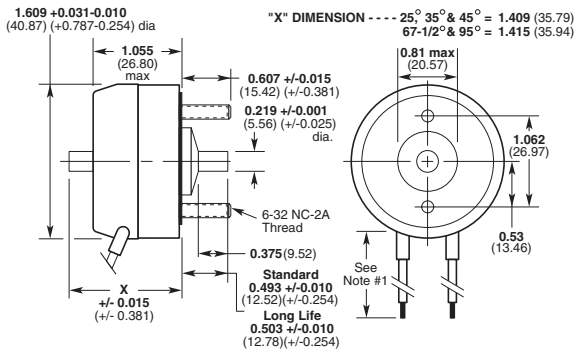
Armature Cover Configuration — Armature End Shaft



Armature Cover Configuration — Base End Shaft



Armature Cover Configuration — Double Shaft

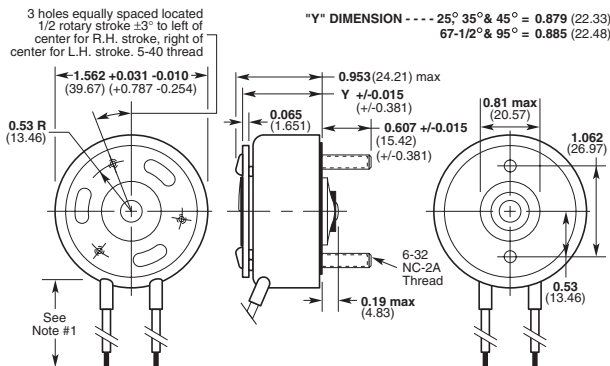


Notes:

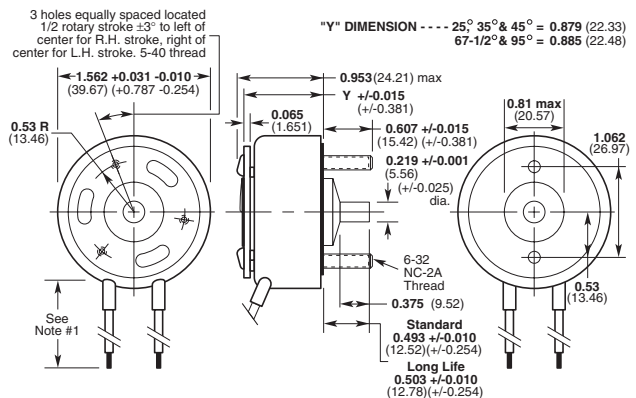
- 1) All configurations have 10" (254 mm) minimum leads, 24 awg. PVC insulation.
- 2) For electrical specs and performance charts, see pages D18-D19.

All specifications subject to change without notice.

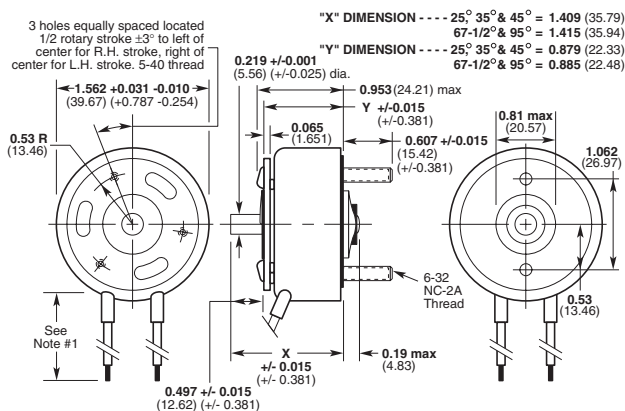
No Shaft



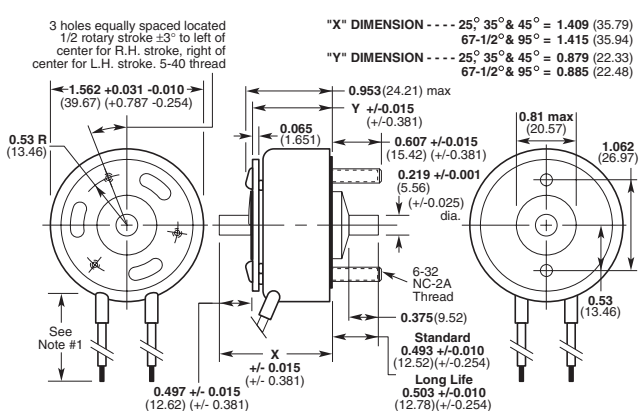
Base End Shaft



Armature End Shaft



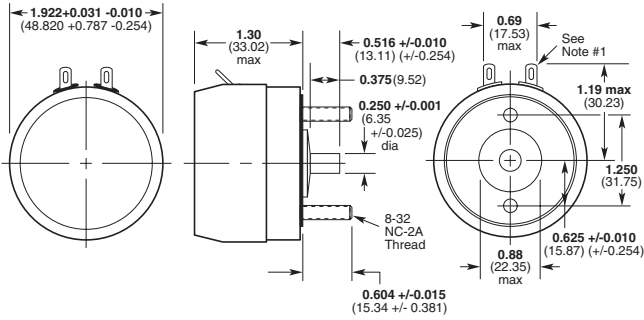
Double Shaft



Ledex[®] Rotary Solenoids 5B Dimensions

Inches (mm)

Armature Cover Configuration — Base End Shaft



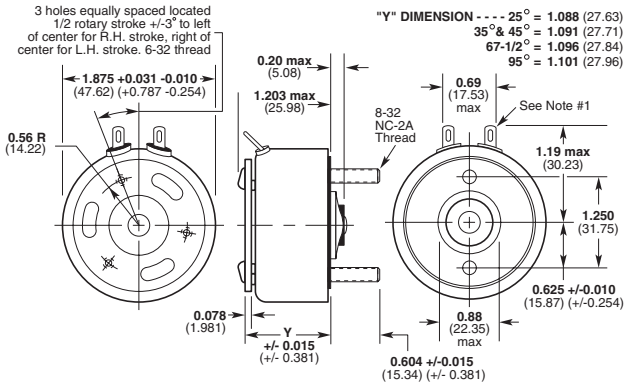
Notes:

- 1) All configurations have solder lug terminals, 0.170" (4.32) wide x 0.018" (0.457) thick.
- 2) For electrical specs and performance charts, see pages D20-D21.

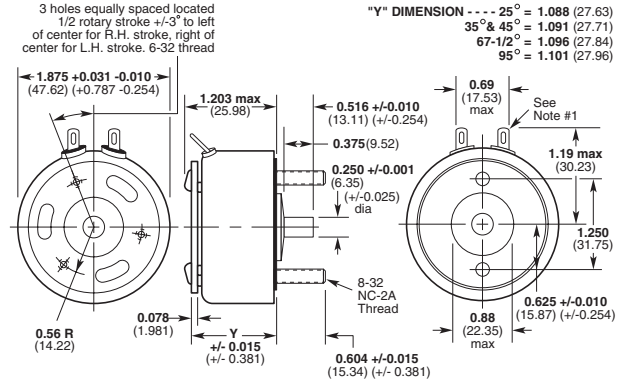
All specifications subject to change without notice.

ROTARY Solenoids

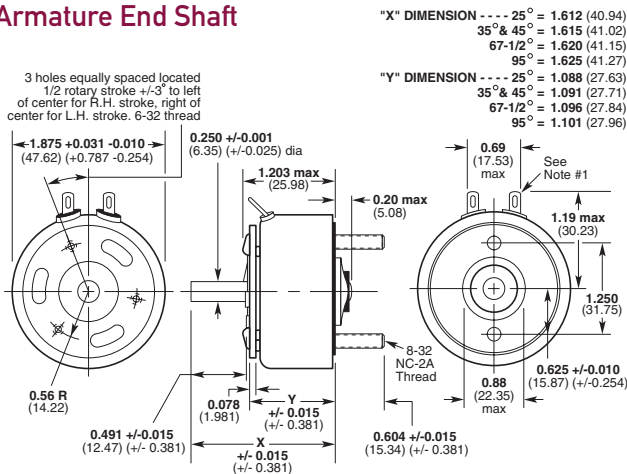
No Shaft



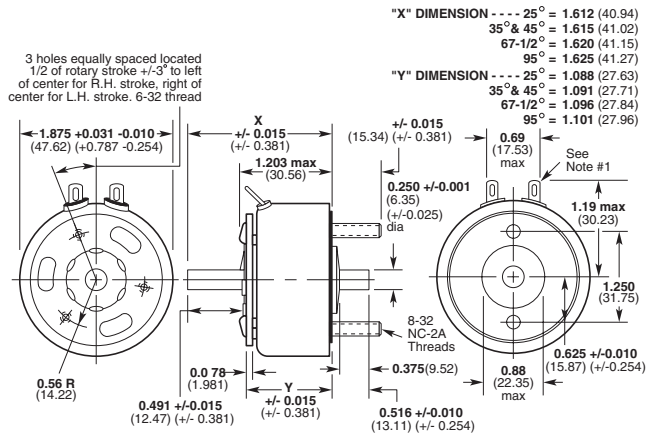
Base End Shaft



Armature End Shaft



Double Shaft

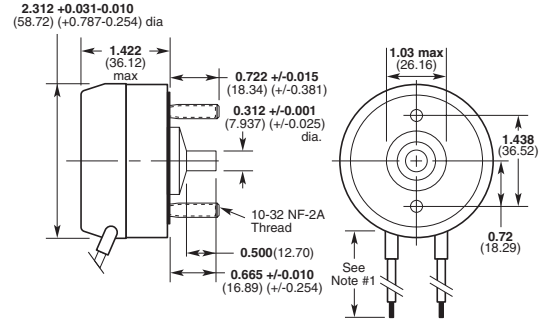
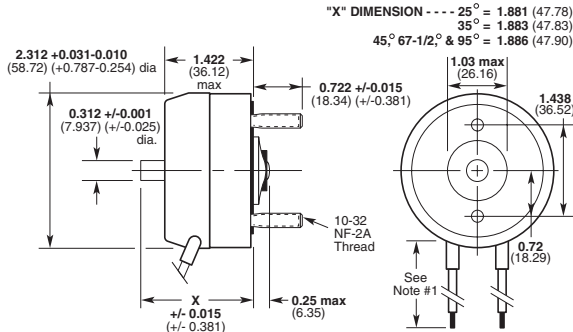


Ledex[®] Rotary Solenoids 6S Dimensions

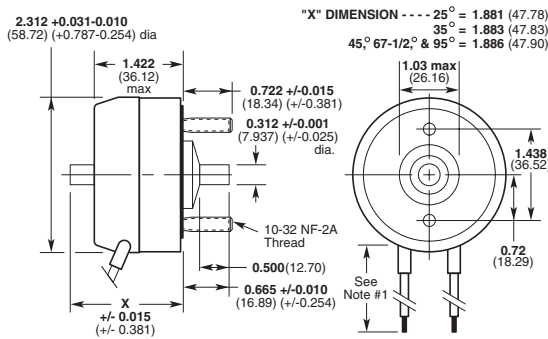
Inches (mm)

Armature Cover Configuration — Armature End Shaft

Armature Cover Configuration — Base End Shaft



Armature Cover Configuration — Double Shaft

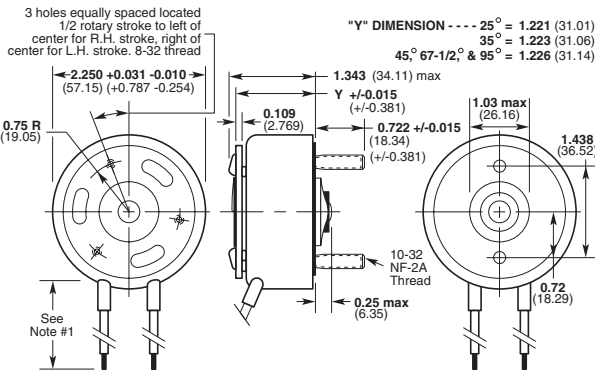


Notes:

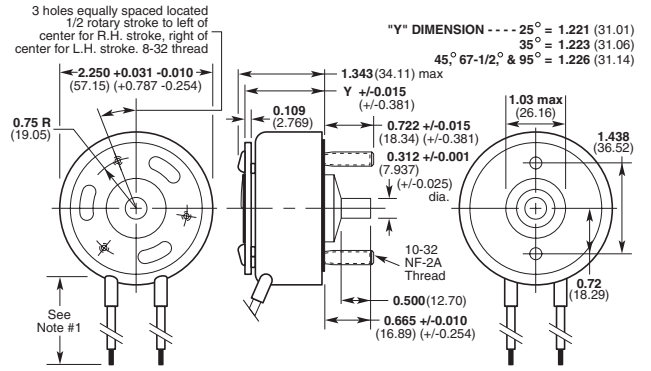
- 1) All configurations have 10" (254 mm) minimum leads, 24 awg. PVC insulation.
- 2) For electrical specs and performance charts, see pages D24-D25.

All specifications subject to change without notice.

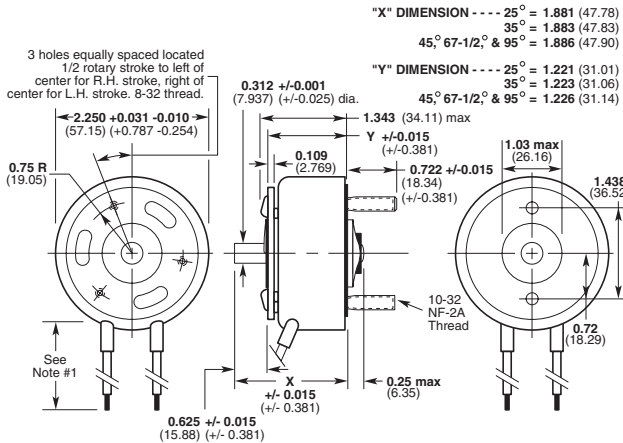
No Shaft



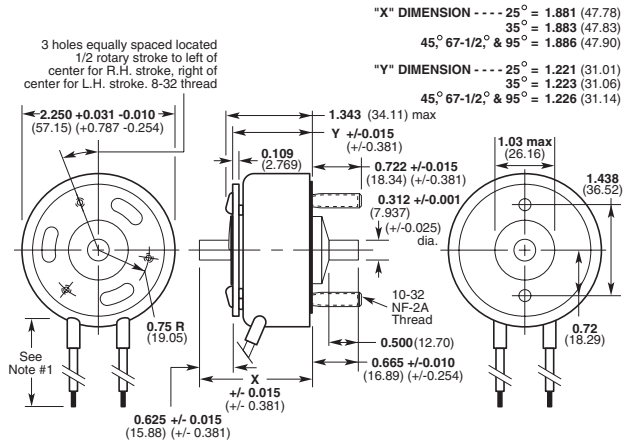
Base End Shaft



Armature End Shaft



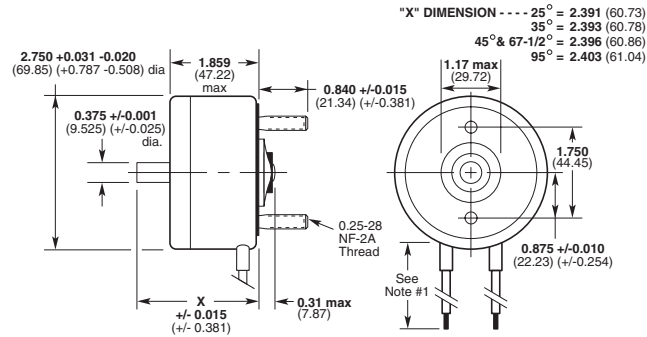
Double Shaft



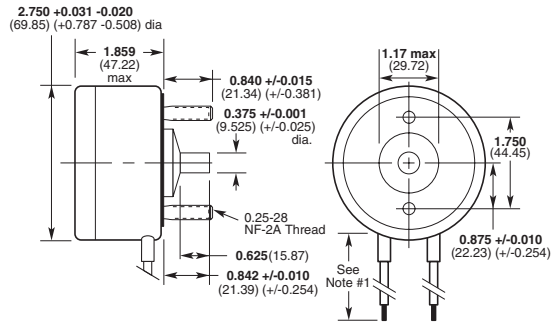
Ledex[®] Rotary Solenoids 7S Dimensions

Inches (mm)

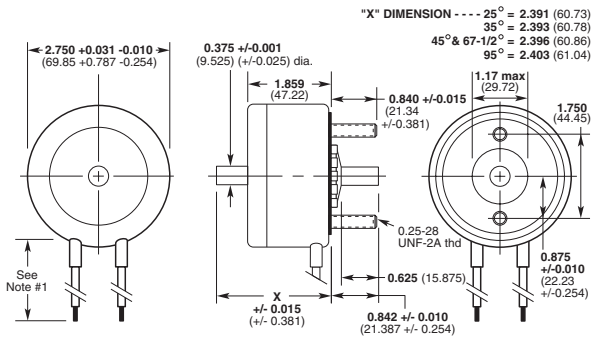
Armature Cover Configuration — Armature End Shaft



Armature Cover Configuration — Base End Shaft



Armature Cover Configuration — Double Shaft

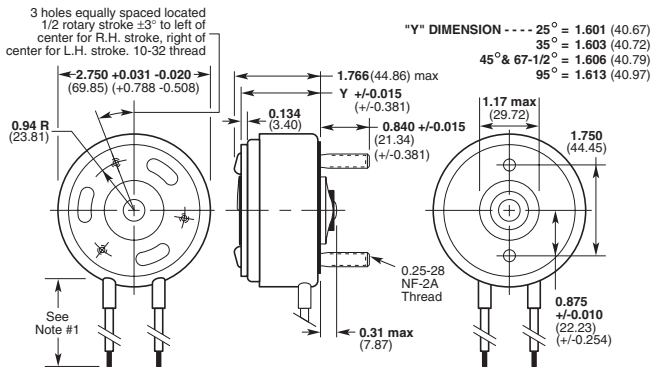


Notes:

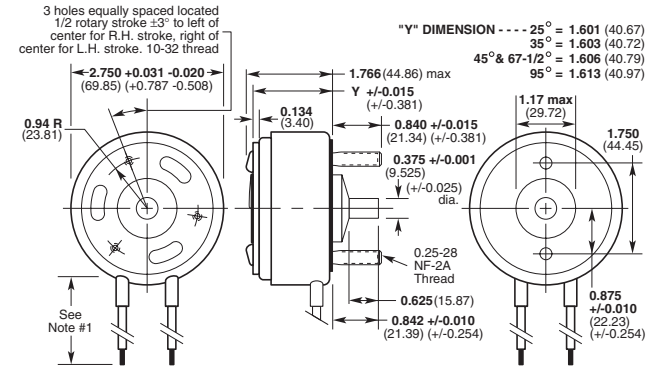
- 1) All configurations have 10" (254 mm) minimum leads, 24 awg. PVC insulation.
- 2) For electrical specs and performance charts, see pages D26-D27.

All specifications subject to change without notice.

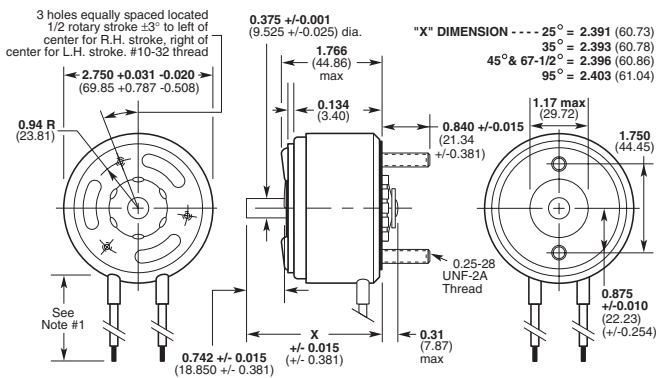
No Shaft



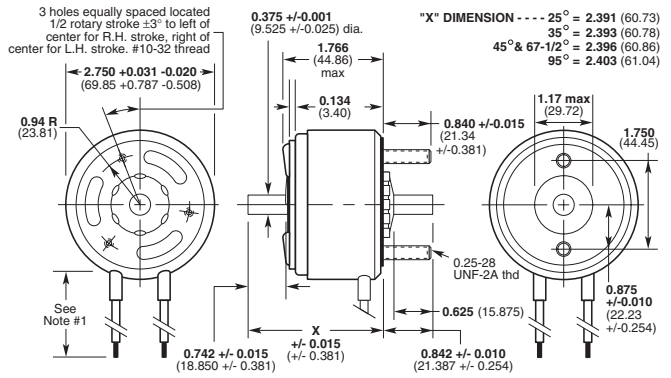
Base End Shaft



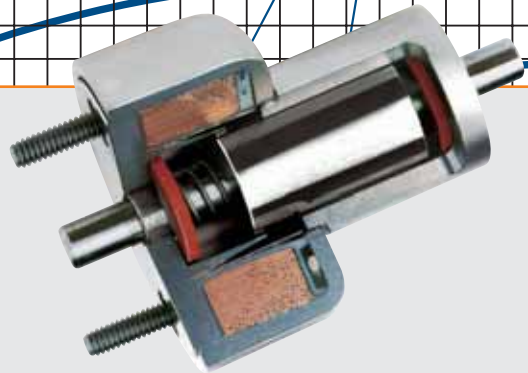
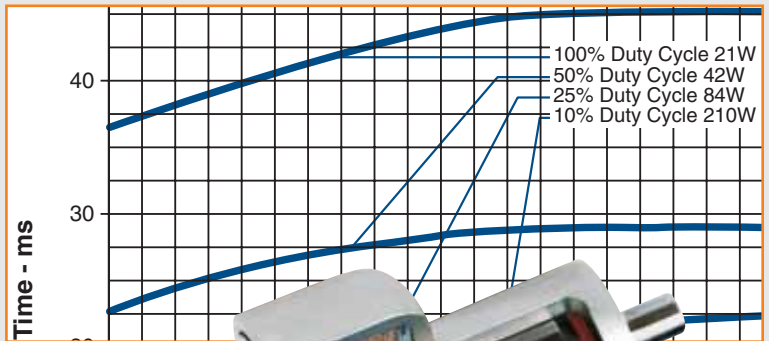
Armature End Shaft



Double Shaft



Soft Shift® Linear Solenoids



Soft Shift® Solenoids

LINEAR Soft Shift®



- Variable positioning linear device
- Slow, smooth motion
- High starting force
- Quiet operation
- 10⁶ actuation life rating



All catalog products manufactured after April 1, 2006 are RoHS Compliant

Soft Shift solenoids have a unique construction which allows easy transition from snap action to variable position.

Using the same power, starting force is three to five times higher than standard solenoids at the fully de-energized position. This is advantageous for starting inertial loads or detented mechanisms, and for conserving electrical power.

In snap action applications, typical solenoids move to the end of the stroke within milliseconds, with a characteristic increase in ending force and acceleration. With the Soft Shift solenoid plunger, however, velocity can be controlled by ramping the input current for slow, noiseless operation.

For applications where variable positioning is desired, closed loop control can be accomplished by adding electronic controls. This gives accurate, repeatable action.

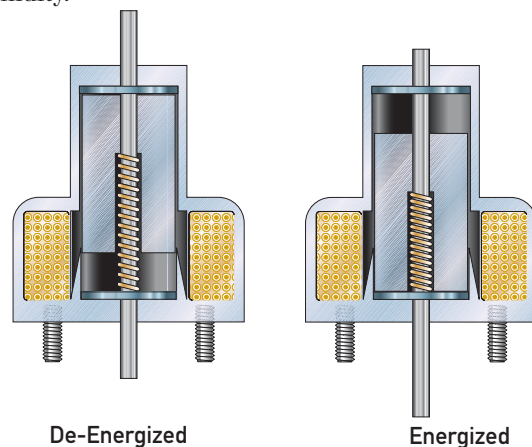
The essentially horizontal force curves prevent rapid acceleration at the end of the stroke, avoiding the excessive wear, noise and vibration that characterize standard solenoids. A Soft Shift solenoid can be a low-cost alternative to a linear stepping motor with a lead screw for up to and including a 0.420" stroke.

Performance Curves

The performance curves in this section serve as guides to determine the solenoid size needed to produce a desired force at a given stroke, duty cycle, and power source. All curves were developed under the following standard test conditions: ambient temperature of 20°C, 65% relative humidity.

Starting Force

When determining an application's force requirement, apply a 1.5 safety factor. For example: a load requiring 4.5 lb of force should utilize a solenoid providing 4.5 x 1.5 or 6.75 lb of force.



Soft Shift® Solenoids

Duty Cycle

Duty cycle is determined by: ON time/(ON + OFF time).

For example: a solenoid is actuated for 30 seconds, then off for 90 seconds.
 $30 \text{ sec ON} / (30 \text{ Sec ON} + 90 \text{ sec OFF}) = 30/120 = 1/4$ or 25% duty cycle.

Ledex Soft Shift® solenoids are rated for various duty cycles ranging from continuous to 10% duty.

Note that maximum ON time for a particular application can be a factor which overrides the duty cycle rating. For example, at 25% duty cycle, the maximum ON time for a given Soft Shift solenoid is 36 seconds. If, however, the solenoid is operated at a cycle rate which enables the unit to return to ambient temperature between ON cycles, then the maximum ON time is extended somewhat. In the above example, this extended ON time is 44 seconds. Maximum ON time ratings are listed on the individual model specification pages.

Life

When selecting a Soft Shift solenoid, as with any other solenoid style, it is important to consider the effects of heat on life. When used with a constant voltage supply, an increase in coil temperature reduces the work output and the life of the unit. Standard life is 10,000,000 operations.

Power Requirements

Voltage applied to the solenoid must be matched to the coil wire size for proper operation. Solenoids are cataloged in coil awgs ranging from #25 up to #35 to accommodate your input power. Refer to the individual model specification pages for coil wire awg recommendations. Many other coil awg sizes are available. Please feel free to contact our application engineering department for availability.

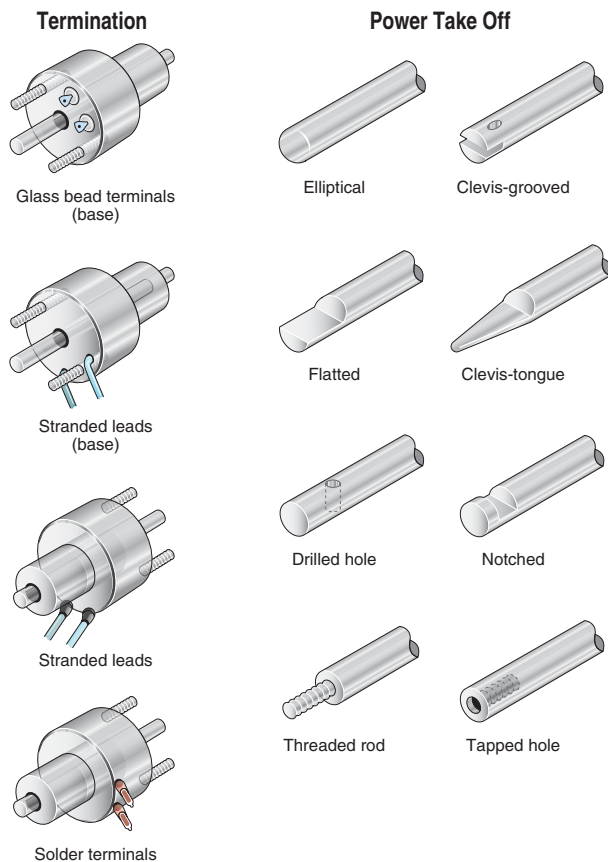
Applications

Applications for the Soft Shift solenoid include office machinery, medical equipment, keypad testing, locking devices, motion control, hot water solar controllers, robotics, air dampers, optical shutter equipment, and a variety of other industrial applications as well as military uses.

Our catalog versions are typically designed to utilize the maximum possible stroke capability for each size. Also, the force curves are essentially horizontal. This permits use in applications where quiet operation is a primary concern or where the load to be moved is sensitive to vibration or shock.

A medical fluid analyzer is a good example. The tubes through which fluids are flowing cannot withstand great shock. Excessive shock could cause breakage of the tubes which could then cause a leak of an infectious fluid, for example.

Typical Examples of Custom Features



Soft Shift solenoids also contain cushion washers to aid quiet, shock-free operation. In addition, voltage can be applied slowly to take advantage of a slow energizing capability. The de-energizing part of the cycle is also controllable.

A Soft Shift solenoid is also a good choice for long life applications in that its two bearings de-sensitize the unit to side loading. The closed construction also keeps out contaminants, which makes it ideal for rugged applications.

Options and Modified Designs

Even though many solenoid designs are in stock, our customers often require a product with unique features or performance capabilities. In fact, almost 80% of all solenoids that we make are either modified or custom built to meet our customers' exact application requirements.

So, if you don't find what you're looking for in the catalog, give us a call to discuss your needs with one of our application engineers.

Soft Shift® Selection

Soft Shift solenoids are available in five sizes. Use the selection overview chart to determine which size offers the desired performance and mechanical specifications. Refer to the individual size specification pages for complete performance and mechanical data.

All catalog products manufactured after April 1, 2006 are RoHS Compliant

Soft Shift Selection Overview

Size	Package Dimensions (in)		Maximum Stroke in	Force (lbs) @ Maximum Stroke and Specified Duty Cycle			
	Dia.	Length		100%	50%	25%	10%
2EP ●	1.125	0.996	0.16	1.0	1.4	2.0	3.8
3EP	1.312	1.232	0.25	1.0	1.9	2.3	4.3
4EP	1.562	1.471	0.30	2.0	3.0	4.3	7.5
5EP	1.875	1.935	0.40	3.0	4.5	7.0	12.5
6EP	2.250	2.214	0.42	7.0	9.6	16.0	29.5

All data is at 20°C coil temperature. Force outputs degrade with elevated temperatures.

LINEAR Soft Shift®

● Well-suited for battery operation.



See the "Battery Operated Solenoids" section for complete information.

How to Use Soft Shift Performance Charts

1. Select one of the four columns which provides the appropriate duty cycle. (For example 50%.)
2. Reading down this column provides a variety of performance and electrical data including maximum on time, watts, and amp turns.
3. Following down the column further into the VDC ratings, select the voltage which most closely matches your supply voltage. (For example, 12.5 for a 12 VDC power supply.)
4. Read across (to the left) to select the awg suffix to complete the part number when ordering. (In this example using our 2EP chart, 30 awg is required, thus to order, specify: 191995-030.)

Performance

	100%	50%	25%	10%		
Maximum Duty Cycle	∞	100	36	7		
Maximum ON Time (sec) when pulsed continuously	∞	162	44	8		
Maximum ON Time (sec) for single pulse	7	14	28	70		
Watts (@ 20°C)	425	602	849	1350		
Ampere Turns (@ 20°C)						
Coil Data						
awg (0XX)	Resistance (@20°C)	# Turns	VDC (Nom)	VDC (Nom)	VDC (Nom)	VDC (Nom)
24	0.68	130	2.2	3.2	4.5	7.1
25	1.16	174	2.8	4.0	5.7	9.0
26	1.96	231	3.6	5.1	7.2	11.5
27	3.16	296	4.5	6.4	9.0	14.4
28	5.10	378	5.7	8.1	11.5	18.2
29	6.94	423	7.0	9.9	13.9	22.0
30	11.03	530	8.8	12.5	17.7	28.0
31	16.85	649	11.0	15.6	22.0	35.0
32	28.15	858	13.9	19.8	28.0	44.0
33	42.75	1036	17.5	25.0	35.0	56.0
34	69.56	1312	23.0	32.0	45.0	72.0
35	112.00	1674	29.0	40.0	57.0	91.0

Force values for reference only.

All specifications subject to change without notice.

Soft Shift® Size 2EP

Part Number: 191995-0XX

All catalog products manufactured after April 1, 2006 are RoHS Compliant

Performance

Maximum Duty Cycle	100%	50%	25%	10%
Maximum ON Time (sec) when pulsed continuously ¹	∞	100	36	7
Maximum ON Time (sec) for single pulse ²	∞	162	44	8
Watts (@ 20°C)	7	14	28	70
Ampere Turns (@ 20°C)	425	602	849	1350

Coil Data

awg (0XX) ³	Resistance (@20°C)	# Turns ⁴	VDC (Nom)	VDC (Nom)	VDC (Nom)	VDC (Nom)
24	0.68	130	2.2	3.2	4.5	7.1
25	1.16	174	2.8	4.0	5.7	9.0
26	1.96	231	3.6	5.1	7.2	11.5
27	3.16	296	4.5	6.4	9.0	14.4
28	5.10	378	5.7	8.1	11.5	18.2
29	6.94	423	7.0	9.9	13.9	22.0
30	11.03	530	8.8	12.5	17.7	28.0
31	16.85	649	11.0	15.6	22.0	35.0
32	28.15	858	13.9	19.8	28.0	44.0
33	42.75	1036	17.5	25.0	35.0	56.0
34	69.56	1312	23.0	32.0	45.0	72.0
35	112.00	1674	29.0	40.0	57.0	91.0

- Continuously pulsed at stated watts and duty cycle
- Single pulse at stated watts (with coil at ambient room temperature 20°C)
- Other coil awg sizes available — please consult factory
- Reference number of turns

Specifications

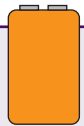
Stroke	0.160 ± 0.030 inches (4.06 ± 0.762 mm)
Dielectric Strength	1000 VRMS
Recommended Minimum Heat Sink	Maximum watts dissipated by solenoid are based on an unrestricted flow of air at 20°C, with solenoid mounted on the equivalent of an aluminum plate measuring 3 ³ / ₈ " square by 1 ¹ / ₈ " thick
Coil Resistance	±5% tolerance on all coil awg
Spring Rate	1.09 lb/in; 0.125 lb ±30% preload reference
Weight	2.5 oz (70.9 gms)
Dimensions	Ø1.125" x 0.996" (See page E10)

How to Order

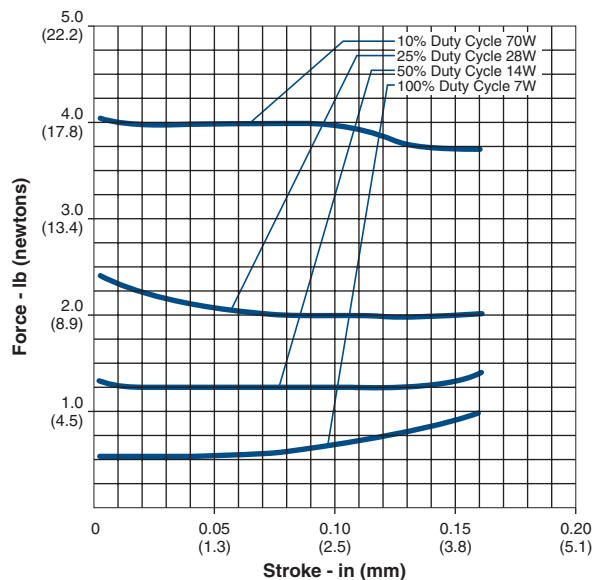
Add the coil awg number (0XX) to the part number (for example: to order a 25% duty cycle unit rated at 9 VDC, specify 191995-027).

Please see www.ledex.com (click on Stock Products tab) for our list of stock products available through our North American distributors.

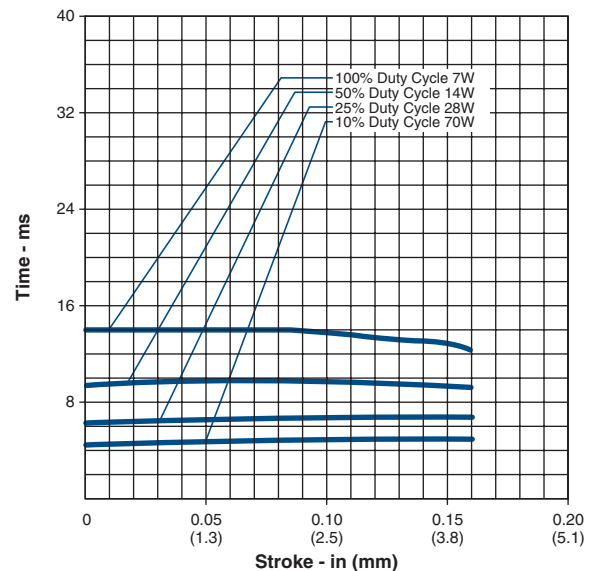
- Well-suited for battery operation. See the "Battery Operated Solenoids" section for complete information.



Size 2EP — Typical Force @ 20°C



Size 2EP — Typical Speed @ No Load, 20°C



Force values for reference only.

All specifications subject to change without notice.

Soft Shift® Size 3EP

Part Number: 191994-0XX

All catalog products manufactured after April 1, 2006 are RoHS Compliant

Performance

Maximum Duty Cycle	100%	50%	25%	10%
Maximum ON Time (sec) when pulsed continuously ¹	∞	100	36	8
Maximum ON Time (sec) for single pulse ²	∞	162	44	9
Watts (@ 20°C)	9	18	36	90
Ampere Turns (@ 20°C)	535	756	1070	1690

Coil Data

awg (0XX) ³	Resistance (@20°C)	# Turns ⁴	VDC (Nom)	VDC (Nom)	VDC (Nom)	VDC (Nom)
23	0.70	145	2.6	3.7	5.2	8.2
24	1.18	192	3.3	4.6	6.6	10.4
25	1.97	252	4.2	5.9	8.4	13.2
26	3.26	328	5.3	7.5	10.6	16.8
27	5.04	405	6.7	9.4	13.3	21.0
28	8.02	510	8.4	11.9	16.8	27.0
29	12.21	627	10.4	14.7	21.0	33.0
30	19.20	780	13.2	18.6	26.0	42.0
31	31.84	1008	16.9	24.0	34.0	53.0
32	46.97	1215	21.0	29.0	41.0	65.0
33	75.30	1530	26.0	37.0	53.0	83.0

- ¹ Continuously pulsed at stated watts and duty cycle
- ² Single pulse at stated watts (with coil at ambient room temperature 20°C)
- ³ Other coil awg sizes available — please consult factory
- ⁴ Reference number of turns

Specifications

Stroke	0.250 ± 0.030 inches (6.35 ± 0.762 mm)
Dielectric Strength	1000 VRMS (23-27 awg); 1200 VRMS (28-33 awg)
Recommended Minimum Heat Sink	Maximum watts dissipated by solenoid are based on an unrestricted flow of air at 20°C, with solenoid mounted on the equivalent of an aluminum plate measuring 4 ⁵ / ₈ " square by 1 ¹ / ₈ " thick
Coil Resistance	±5% tolerance on all coil awg
Spring Rate	0.73 lb/in; 0.22 lb ±30% preload reference
Weight	4 oz (113.4 gms)
Dimensions	Ø1.312" x 1.232" (See page E10)

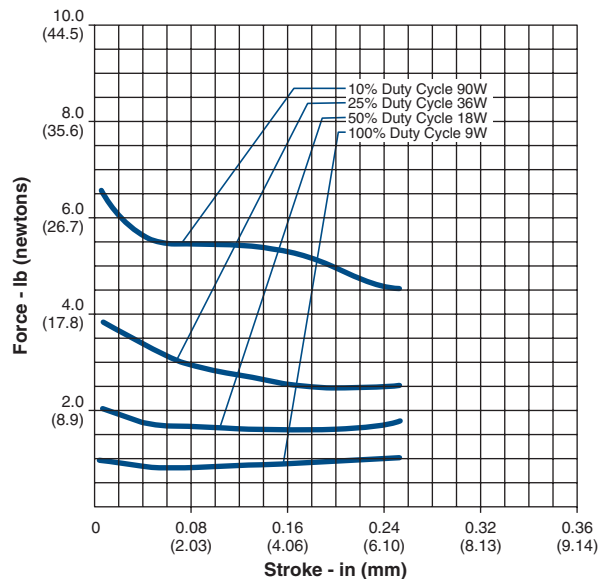
How to Order

Add the coil awg number (0XX) to the part number (for example: to order a 25% duty cycle unit rated at 13.3 VDC, specify 191994-027).

Please see www.ledex.com (click on Stock Products tab) for our list of stock products available through our North American distributors.

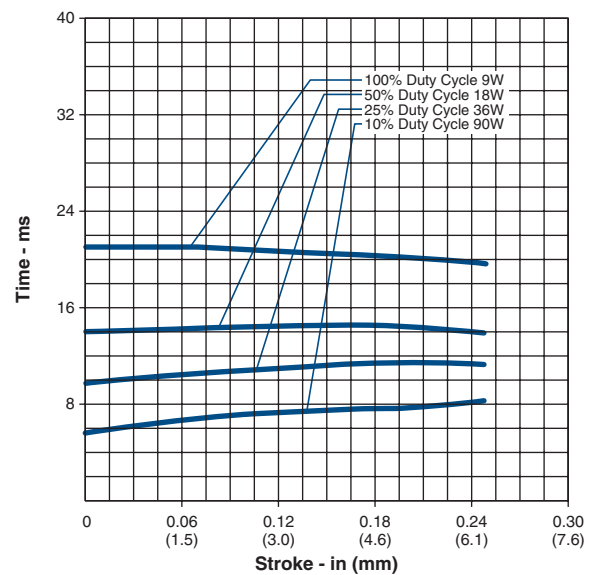
LINEAR Soft Shift®

Size 3EP — Typical Force @ 20°C



Force values for reference only.

Size 3EP — Typical Speed @ No Load, 20°C



All specifications subject to change without notice.

Soft Shift® Size 4EP

Part Number: 191993-0XX

All catalog products manufactured after April 1, 2006 are RoHS Compliant

Performance

Maximum Duty Cycle	100%	50%	25%	10%
Maximum ON Time (sec) when pulsed continuously ¹	∞	100	36	9
Maximum ON Time (sec) for single pulse ²	∞	162	44	10
Watts (@ 20°C)	12.5	25	50	125
Ampere Turns (@ 20°C)	714	1000	1425	2250

Coil Data						
awg (0XX) ³	Resistance (@20°C)	# Turns ⁴	VDC (Nom)	VDC (Nom)	VDC (Nom)	VDC (Nom)
23	1.59	266	4.3	6.0	8.5	13.4
24	2.20	301	5.2	7.3	10.4	16.4
25	3.54	384	6.6	9.2	13.1	21.0
26	5.67	486	8.3	11.7	16.6	26.0
27	8.76	600	10.4	14.6	21.0	33.0
28	13.80	748	13.2	18.5	26.0	42.0
29	22.60	975	16.6	23.0	33.0	52.0
30	34.80	1190	21.0	29.0	42.0	66.0
31	56.70	1520	27.0	37.0	53.0	84.0
32	88.30	1908	33.0	46.0	66.0	104.0
33	138.00	2360	42.0	59.0	83.0	132.0

- ¹ Continuously pulsed at stated watts and duty cycle
- ² Single pulse at stated watts (with coil at ambient room temperature 20°C)
- ³ Other coil awg sizes available — please consult factory
- ⁴ Reference number of turns

Specifications

Stroke	0.300 ± 0.030 inches (7.62 ± 0.762 mm)
Dielectric Strength	1000 VRMS (23-24 awg); 1200 VRMS (25-33 awg)
Recommended Minimum Heat Sink	Maximum watts dissipated by solenoid are based on an unrestricted flow of air at 20°C, with solenoid mounted on the equivalent of an aluminum plate measuring 6¼" square by 1/8" thick
Coil Resistance	±5% tolerance on all coil awg
Spring Rate	1.41 lb/in; 0.35 lb ±30% preload reference
Weight	7 oz (198.4 gms)
Dimensions	Ø1.562" x 1.471" (See page E10)

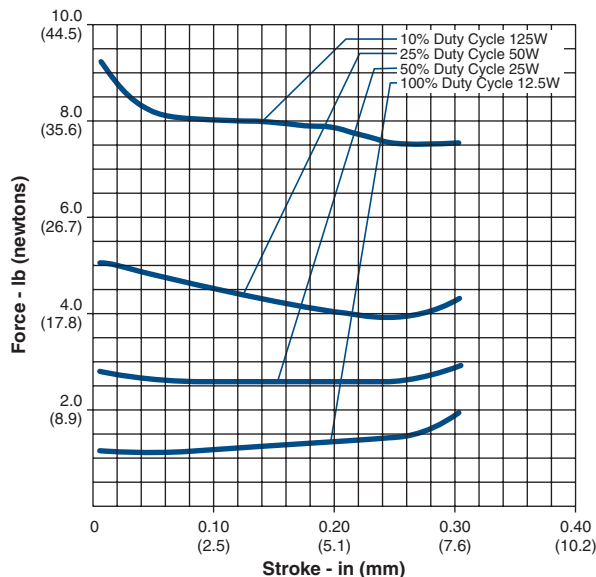
How to Order

Add the coil awg number (0XX) to the part number (for example: to order a 25% duty cycle unit rated at 21 VDC, specify 191993-027).

Please see www.ledex.com (click on Stock Products tab) for our list of stock products available through our North American distributors.

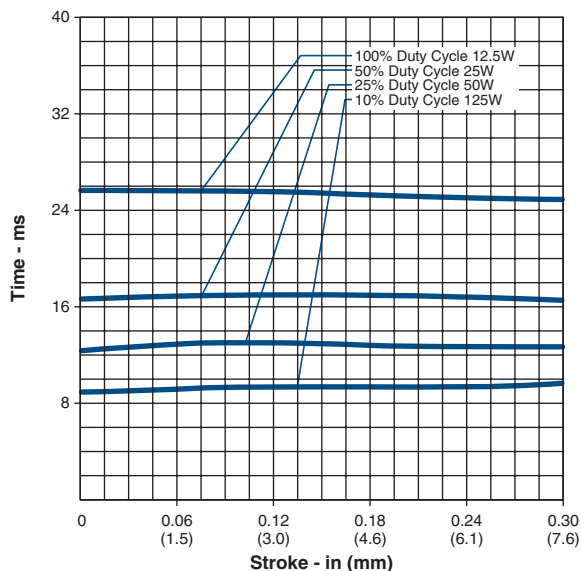
LINEAR Soft Shift®

Size 4EP — Typical Force @ 20°C



Force values for reference only.

Size 4EP — Typical Speed @ No Load, 20°C



All specifications subject to change without notice.

Soft Shift® Size 5EP

Part Number: 193015-0XX

All catalog products manufactured after April 1, 2006 are RoHS Compliant

Performance

Maximum Duty Cycle	100%	50%	25%	10%
Maximum ON Time (sec) when pulsed continuously ¹	∞	100	36	10
Maximum ON Time (sec) for single pulse ²	∞	160	44	13
Watts (@ 20°C)	21	42	84	210
Ampere Turns (@ 20°C)	1015	1440	2030	3210

Coil Data

avg (0XX) ³	Resistance (@20°C)	# Turns ⁴	VDC (Nom)	VDC (Nom)	VDC (Nom)	VDC (Nom)
23	2.70	384	7.2	10.1	14.3	23.0
24	4.30	486	9.0	12.7	18.0	28.0
25	6.66	590	11.5	16.2	23.0	36.0
26	10.30	737	14.0	20.0	28.0	44.0
27	15.70	900	17.7	25.0	35.0	56.0
28	26.60	1190	23.0	32.0	45.0	72.0
29	38.00	1380	28.0	40.0	56.0	89.0
30	62.10	1768	36.0	51.0	71.0	113.0
31	96.10	2166	45.0	64.0	90.0	143.0
32	157.00	2816	57.0	80.0	113.0	179.0
33	241.00	3432	71.0	101.0	143.0	226.0

- Continuously pulsed at stated watts and duty cycle
- Single pulse at stated watts (with coil at ambient room temperature 20°C)
- Other coil awg sizes available — please consult factory
- Reference number of turns

Specifications

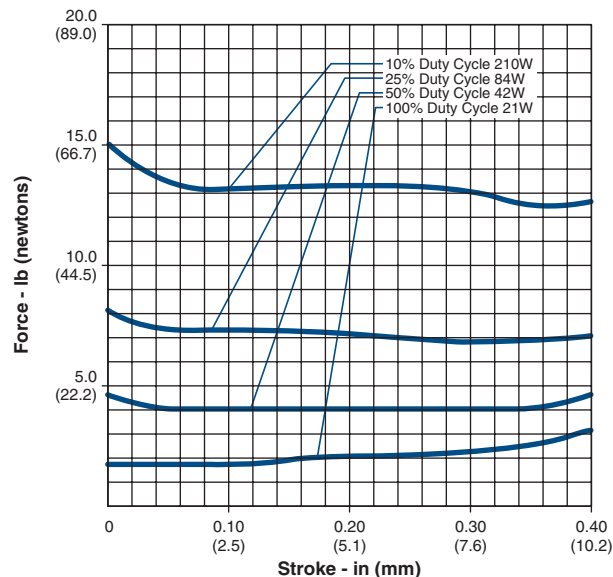
Stroke	0.400 ± 0.030 inches (10.16 ± 0.762 mm)
Dielectric Strength	1000 VRMS (23 awg); 1200 VRMS (24-33 awg)
Recommended Minimum Heat Sink	Maximum watts dissipated by solenoid are based on an unrestricted flow of air at 20°C, with solenoid mounted on the equivalent of an aluminum plate measuring 7½" square by ⅛" thick
Coil Resistance	±5% tolerance on all coil awg
Spring Rate	4.41 lb/in; 0.45 lb ±30% preload reference
Weight	12 oz (340.2 gms)
Dimensions	Ø1.875" x 1.935" (See page E10)

How to Order

Add the coil awg number (0XX) to the part number (for example: to order a 25% duty cycle unit rated at 35 VDC, specify 193015-027).

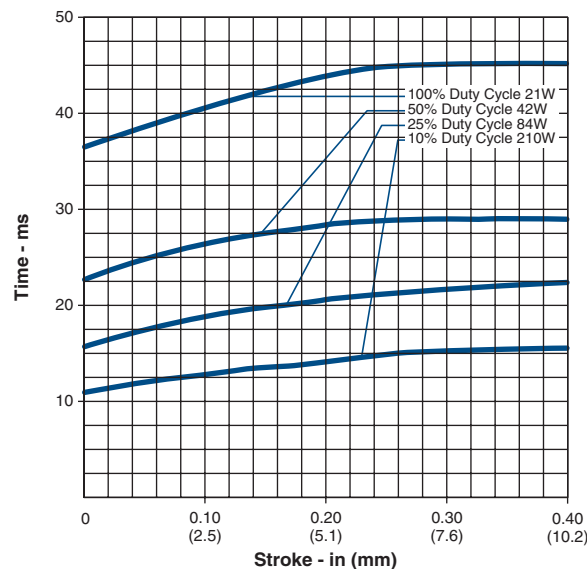
Please see www.ledex.com (click on Stock Products tab) for our list of stock products available through our North American distributors.

Size 5EP — Typical Force @ 20°C



Force values for reference only.

Size 5EP — Typical Speed @ No Load, 20°C



All specifications subject to change without notice.

Soft Shift® Size 6EP

Part Number: 192907-0XX

All catalog products manufactured after April 1, 2006 are RoHS Compliant

Performance

Maximum Duty Cycle	100%	50%	25%	10%
Maximum ON Time (sec) when pulsed continuously ¹	∞	87	36	13
Maximum ON Time (sec) for single pulse ²	∞	140	44	16
Watts (@ 20°C)	32	64	128	320
Ampere Turns (@ 20°C)	1480	2080	2940	4620

Coil Data

awg (0XX) ³	Resistance (@20°C)	# Turns ⁴	VDC (Nom)	VDC (Nom)	VDC (Nom)	VDC (Nom)
23	4.69	567	12.3	17.2	24.0	38.0
24	7.43	710	15.5	22.0	31.0	48.0
25	12.90	960	19.9	28.0	39.0	62.0
26	19.70	1170	25.0	35.0	49.0	78.0
27	32.00	1500	32.0	44.0	63.0	99.0
28	51.60	1904	40.0	56.0	79.0	125.0
29	74.40	2232	49.0	69.0	98.0	154.0
30	126.00	2940	63.0	89.0	126.0	198.0
31	195.00	3611	80.0	112.0	159.0	250.0
32	288.00	4350	98.0	138.0	195.0	306.0
33	427.00	5010	126.0	177.0	251.0	394.0

- Continuously pulsed at stated watts and duty cycle
- Single pulse at stated watts (with coil at ambient room temperature 20°C)
- Other coil awg sizes available — please consult factory
- Reference number of turns

Specifications

Stroke	0.420 ± 0.030 inches (10.67 ± 0.762 mm)
Dielectric Strength	1200 VRMS (23-31 awg); 1500 VRMS (32-33 awg)
Recommended Minimum Heat Sink	Maximum watts dissipated by solenoid are based on an unrestricted flow of air at 20°C, with solenoid mounted on the equivalent of an aluminum plate measuring 12 ³ / ₈ " square by 1 ¹ / ₈ " thick
Coil Resistance	±5% tolerance on all coil awg
Spring Rate	4.74 lb/in; 1.08 lb ±30% preload reference
Weight	1 lb 7 oz (652 gms)
Dimensions	Ø2.250" x 2.214" (See page E10)

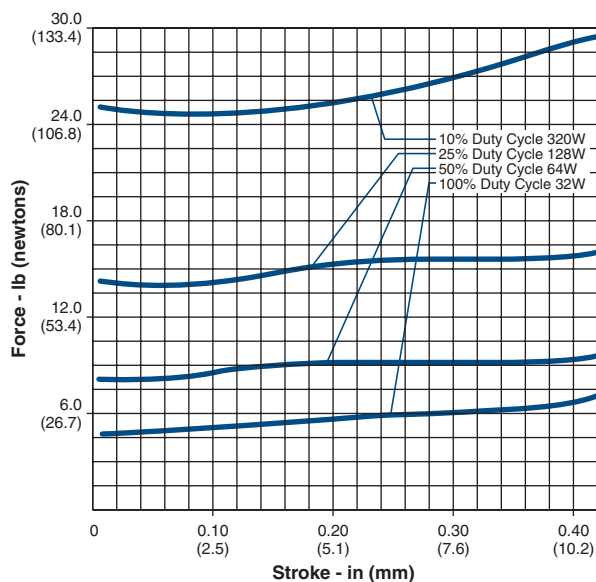
How to Order

Add the coil awg number (0XX) to the part number (for example: to order a 25% duty cycle unit rated at 63 VDC, specify 192907-027).

Please see www.ledex.com (click on Stock Products tab) for our list of stock products available through our North American distributors.

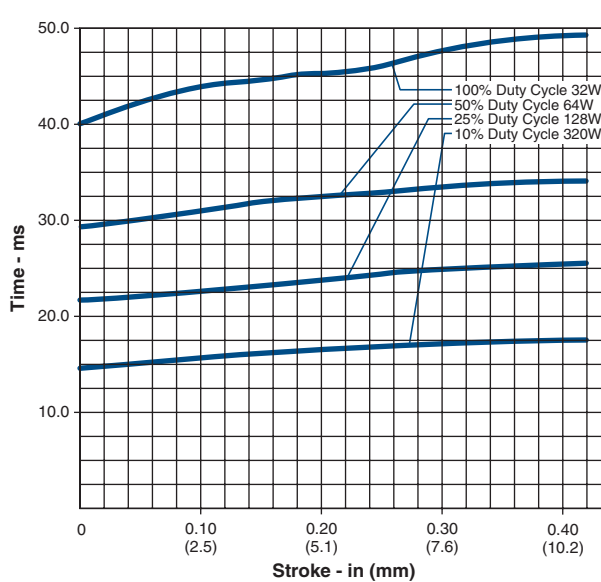
LINEAR Soft Shift®

Size 6EP — Typical Force @ 20°C



Force values for reference only.

Size 6EP — Typical Speed @ No Load, 20°C



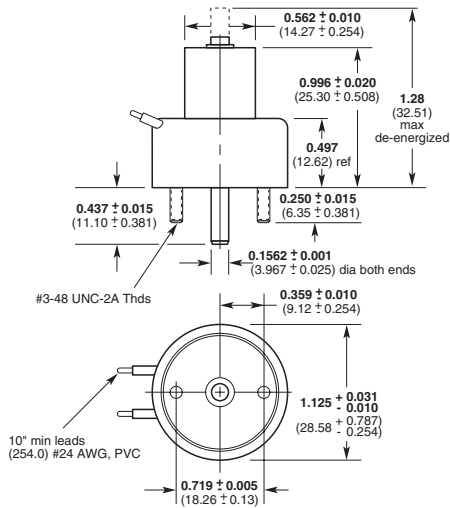
All specifications subject to change without notice.

Soft Shift® Dimensions

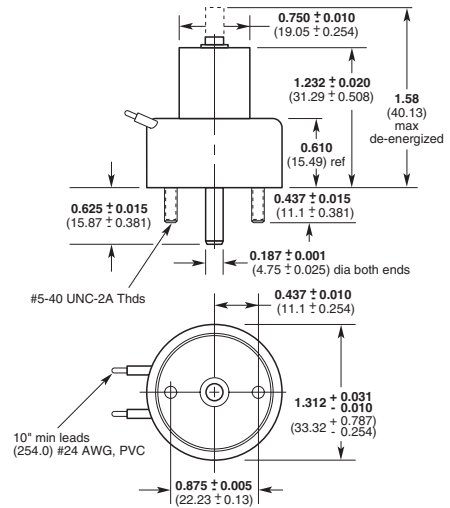
inches (mm)

All solenoids are illustrated in energized state

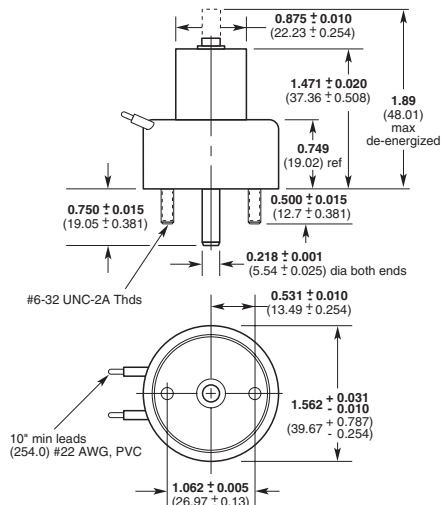
Size 2EP



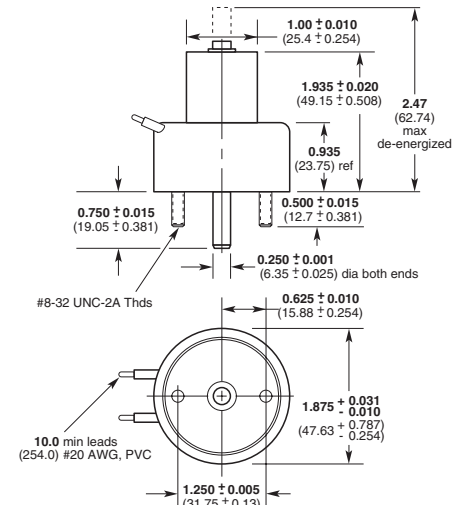
Size 3EP



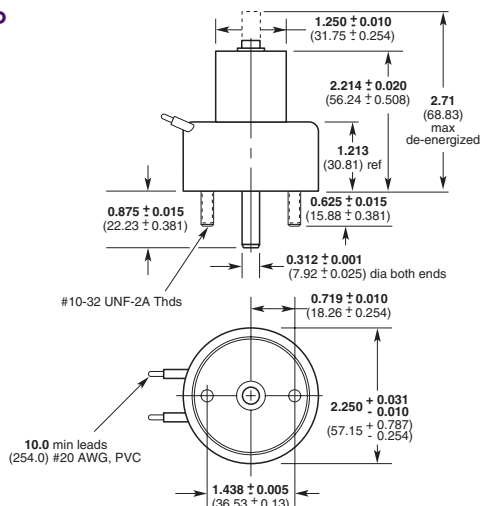
Size 4EP



Size 5EP

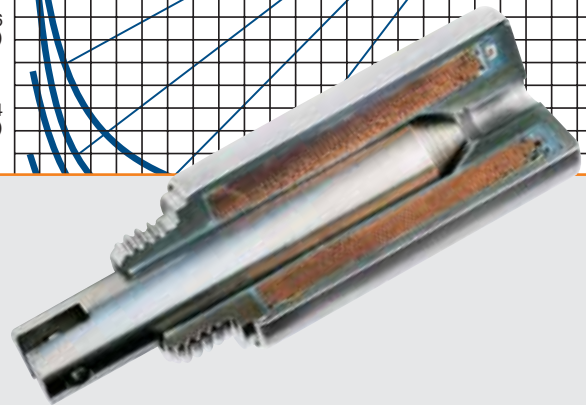
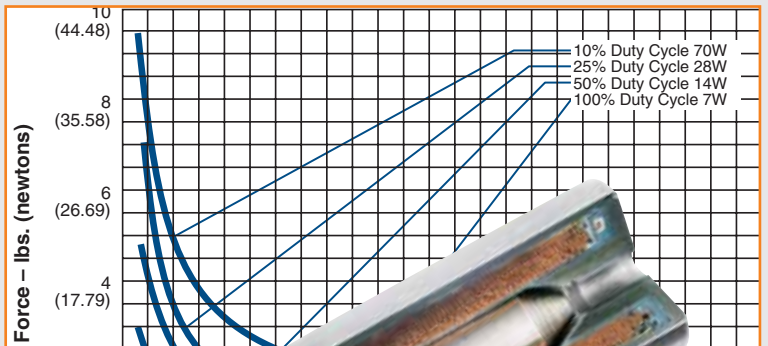


Size 6EP



All specifications subject to change without notice.

Ledex® Tubular Linear Solenoids



Ledex® Tubular Solenoids

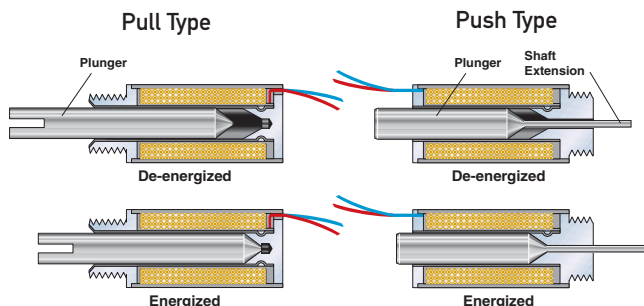


The Ledex® STA Series of tubular solenoids is available in three sizes of 1/2", 3/4" and 1" diameter. Both push and pull types are available. Additionally, each size and type is available with a choice of two plunger configurations: flat face and 60°, as well as with or without an anti-rotation flat on the mounting bushing. These options offer maximum force for a wide range of applications. The new design also improves performance and provides longer life than previous tubular designs. They offer quiet operation and improved reliability for demanding applications.

Design Considerations

Pull versus Push Type

In Pull type solenoids, the plunger is pulled into the solenoid coil when the coil is energized. In Push type solenoids, the same is true, however, the plunger has a shaft extension which then pushes out through a hole in the end of the solenoid case. Please note, however, that the magnetic field cannot be reversed to cause the opposite action to occur.



- STA® Series has enhanced design features and improved performance
- Push and pull models
- Strokes up to 2-1/2"
- Life rating of 25 million actuations for STA designs



All catalog products manufactured after April 1, 2006 are RoHS Compliant

Performance Curves

The performance curves in this section serve as guides to determine the solenoid size needed to produce a desired force at a given stroke, duty cycle, and power source. All curves were developed under the following standard test conditions: ambient temperature of 20°C, 65% relative humidity.

Starting Force

When determining an application's force requirement, apply a 1.5 safety factor. For example: a load requiring 4.5 lb of force should utilize a solenoid providing 4.5 x 1.5 or 6.75 lb of force.

Duty Cycle

Duty cycle is determined by: ON time/(ON + OFF time).

For example: a solenoid is actuated for 30 seconds, then off for 90 seconds. $30 \text{ sec ON} / (30 \text{ Sec ON} + 90 \text{ sec OFF}) = 30/120 = 1/4 \text{ or } 25\% \text{ duty cycle.}$

Ledex tubular solenoids are rated for various duty cycles ranging from continuous to 10% duty.

Note that maximum ON time for a particular application can be a factor which overrides the duty cycle rating. For example, at 25% duty cycle, the maximum ON time for a given Ledex solenoid is 36 seconds. If, however, the solenoid is operated at a cycle rate which enables the unit to return to ambient temperature between ON cycles, then the maximum ON time is extended somewhat. In the above example, this extended ON time is 44 seconds. Maximum ON time ratings are listed on the individual model specification pages.

Life

When selecting a tubular solenoid, as with any other solenoid style, it is important to consider the effects of heat on life. When used with a constant voltage supply, an increase in coil temperature reduces the work output and the life of the unit. Standard life is 25,000,000 actuations for STA designs.

Power Requirements

Voltage applied to the solenoid must be matched to the coil wire size for proper operation. Solenoids are cataloged in coil awgs ranging from #25 up to #37 to accommodate your input power.

Refer to the individual model specification pages for coil wire awg recommendations. Many other coil awg sizes are available. Please feel free to contact our application engineering department for availability.

Tubular Applications

The STA Series is particularly ideal for applications where field service is prohibitive. Its long life and high reliability are definite advantages in applications involving:

- Computer peripherals
- Industrial sewing machines
- Automated teller machines
- Blood analyzers
- Gate mechanisms
- Packaging machinery
- Door interlocks
- Sorting machines
- Glue dispensers
- Laboratory equipment
- Business machines

STA Construction

The STA is constructed with a low friction nylon bobbin which insures a 25 million actuations life rating on all models.

The problems associated with powdered metal flaking in typical tubular designs is eliminated with the metal-to-plastic bearing surface. In addition, the new design's case is rolled over both ends of the unit for greater shock and vibration integrity, allowing the STA to withstand severe applications in which typical solenoids may come apart.

Both push and pull models offer a built-in combination air gap spacer and plunger stop. This feature eliminates the need for external E-rings and impact washers which typically fail prematurely, as well as get in the way of your attached mechanisms.

All units are provided with 10" PVC lead wires as standard, and are rated for a maximum coil temperature of 130°C. UL-approved materials are used in the construction. For higher temperature applications up to 180°C, please consult the factory for alternate materials which are available in some models. Mechanical and electrical ratings may also be affected. Other options include: special plunger configurations, springs, special mounting features, and anti-rotation flats on mounting bushings. Please consult the factory with details

about your application as tooling may apply to some features.

STA Plunger Configurations

With two standard plunger configurations to choose from, the new STA Series offers stroke lengths up to 0.70" and up to 24 pounds of force.

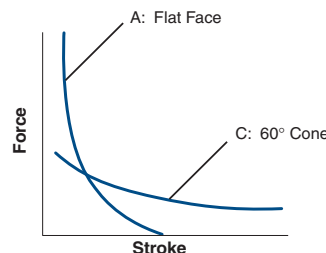
A. Flat Face

For strokes typically less than 0.060", the flat face plunger is recommended with a pull or push force three to five times greater than 60° plungers.



B. 60° Angle

For longer strokes up to 0.750", the 60° plunger offers the greatest advantage over the flat face plunger.



Size 125, 150, 175 Standard Tubular Models for Large Loads

Ledex Size 125, 150, and 175 standard tubular models are offered for heavy duty applications requiring larger forces. These standard models are all pull type and offered with 60° plungers. These models feature heavy duty welded mounting brackets, and heavy duty plunger stops to limit plunger travel, provide positive stopping, and keep pole faces from slamming together at the end of stroke.

An impact cushion made of resilient non-magnetic material absorbs energy at the end of the stroke. This cushion also helps eliminate residual magnetism.

Size 125, 150, and 175 models are available with other plunger configurations, in push type models, and with other mountings. Please consult the factory as tooling may apply.


Ledex® Tubular Solenoids Selection

Tubular solenoids are available in seven sizes. The four STA Series sizes are available in both push and pull types.

Use the selection overview chart to determine which size offers the desired performance and mechanical specifications.

Refer to the individual size specification pages for complete performance and mechanical data.

● Well-suited for battery operation.



See the "Battery Operated Solenoids" section for complete information.

Tubular Selection Overview

Size	Solenoid Type	Package Dimension (in)		Max Stroke (in)	Nominal Stroke (in)	Force (lbs) @ Nominal Stroke and Specified Duty Cycle			
		Dia.	Length			100%	50%	25%	10%
STA 1/2" x 1/2"	● Pull	0.52	0.55	0.10	0.05	0.18	0.30	0.50	1.0
MagLatch* 1/2" x 1/2"	● Pull	0.52	0.62	0.15	0.075	N/A	0.25	0.48	0.75
STA 1/2" x 1/2"	● Push	0.52	0.55	0.10	0.05	0.08	0.18	0.25	0.6
STA 1/2" x 1"	● Pull	0.52	1.05	0.50	0.10	0.19	0.31	0.56	1.00
STA 1/2" x 1"	● Push	0.52	1.05	0.50	0.10	0.13	0.25	0.48	0.94
STA 3/4" x 1-1/2"	● Pull	0.77	1.55	0.70	0.20	0.50	1.00	1.63	2.69
STA 3/4" x 1-1/2"	● Push	0.77	1.55	0.70	0.20	0.38	0.80	1.50	2.75
STA 1" x 2"	Pull	1.02	2.05	0.70	0.30	0.90	1.75	3.00	5.20
STA 1" x 2"	Push	1.02	2.05	0.70	0.30	0.75	1.88	2.90	5.20
1-1/4" x 2-1/4"	Pull	1.25	2.25	0.75	0.40	1.00	2.00	4.00	6.50
1-1/2" x 2-1/2"	Pull	1.50	2.50	0.75	0.40	1.00	2.50	5.20	9.80
1-3/4" x 4-3/4"	Pull	1.75	4.71	2.50	1.00	1.25	2.50	3.75	6.50

All catalog products manufactured after April 1, 2006 are RoHS Compliant

All data is at 20°C coil temperature. Force outputs degrade with elevated temperatures.

* See the "Magnetic Latching Solenoids" section for complete information on all our magnetic latching solenoids.

LINEAR Tubular

How to Use Tubular Performance Charts

- Select one of the four columns which provides the appropriate duty cycle. (For example 50%.)
 - Reading down this column provides a variety of performance and electrical data including maximum on time, watts, and amp turns.
 - Following down the column further into the VDC ratings, select the voltage which most closely matches your supply voltage. (For example, 11.5 for a 12 VDC power supply.)
 - Read across (to the left) to select the awg suffix. (In this example, 32 awg is required, thus to order, specify: 195203-232.
- Note that the digit preceding the awg refers to the plunger configuration and anti-rotation flat selected. Review the STA plunger section on page E3 and on the individual specification page to select the appropriate plunger configuration.

Performance

Maximum Duty Cycle	100%	50%	25%	10%
Maximum ON Time (sec) when pulsed continuously	∞	50	5	2
Maximum ON Time (sec) for single pulse	∞	140	30	8
Watts (@ 20°C)	4	8	16	40
Ampere Turns (@ 20°C)	497	704	994	1573

Coil Data						
awg (0XX)	Resistance (@20°C)	# Turns	VDC (Nom)	VDC (Nom)	VDC (Nom)	VDC (Nom)
27	1.43	306	2.4	3.4	4.8	7.6
28	1.95	342	2.8	3.9	5.6	8.8
29	3.84	508	3.9	5.5	7.8	12.4
30	5.29	572	4.6	6.5	9.2	14.5
31	9.56	795	6.2	8.8	12.4	19.6
32	16.54	1068	8.1	11.5	16.3	25.7
33	22.60	1194	9.5	13.4	19.0	30.0
34	37.41	1547	12.2	17.3	24.0	39.0
35	60.71	1976	15.6	22.0	31.0	49.0
36	96.19	2475	19.6	28.0	39.0	62.0
37	149.93	3060	24.5	35.0	49.0	77.0

Note: The size 125, 150 and 175 standard models do not use this plunger configuration and anti-rotation flat suffix system.

All specifications subject to change without notice.

Ledex® Tubular Solenoids Design Modifications

Options and Modified Designs

Even though many solenoid designs are in stock and available via distribution, our customers often require a product with unique features or performance capabilities. In fact, almost 80% of all solenoids that we make are either modified or custom built to meet our customers' exact application requirements.

So, if you don't find what you're looking for in the catalog, give us a call to discuss your needs with one of our application engineers.

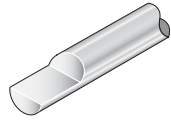
Typical Examples of Custom Features



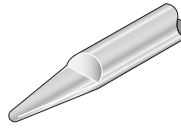
Elliptical



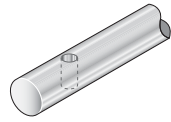
Clevis-grooved



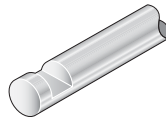
Flatted



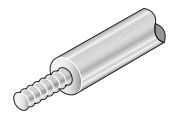
Clevis-tongue



Drilled hole



Notched



Threaded rod



Tapped hole

STA® Pull Tubular Solenoids — 1/2" Dia. x 1/2"

Part Number: 195200 - X XX

All catalog products manufactured after April 1, 2006 are RoHS Compliant

Coil AWG Number
(from performance chart below)

Plunger Configurations and anti-rotation flat on mounting
2 60° plunger without anti-rotation flat
6 60° plunger with anti-rotation flat

Well-suited for battery operation.



See the "Battery Operated Solenoids" section for complete information.

Performance

Maximum Duty Cycle	100%	50%	25%	10%
Maximum ON Time (sec) when pulsed continuously ¹	∞	50	5	2
Maximum ON Time (sec) for single pulse ²	∞	140	30	8
Watts (@ 20°C)	3	6	12	30
Ampere Turns (@ 20°C)	268	379	536	847

Coil Data

awg (0XX) ³	Resistance (@20°C)	# Turns ⁴	VDC (Nom)	VDC (Nom)	VDC (Nom)	VDC (Nom)
27	0.48	108	1.2	1.7	2.4	3.8
28	0.67	123	1.5	2.1	2.9	4.6
29	1.33	184	1.9	2.7	3.9	6.1
30	1.80	204	2.4	3.3	4.7	7.5
31	3.33	290	3.1	4.4	6.2	9.7
32	4.57	325	3.8	5.3	7.5	11.9
33	7.80	432	4.8	6.8	9.7	15.3
34	13.10	567	6.2	8.8	12.4	19.6
35	17.80	630	7.6	11.0	15.0	24.0
36	29.05	808	9.6	14.0	19.0	30.0
37	45.70	1008	12.2	17.0	24.0	38.0

- ¹ Continuously pulsed at stated watts and duty cycle
- ² Single pulse at stated watts (with coil at ambient room temperature 20°C)
- ³ Other coil awg sizes available — please consult factory
- ⁴ Reference number of turns

Specifications

Dielectric Strength	500 VRMS
Recommended Minimum Heat Sink	Maximum watts dissipated by solenoid are based on an unrestricted flow of air at 20°C, with solenoid mounted on the equivalent of an aluminum plate measuring 2" square by 1/8" thick
Coil Resistance	±5% tolerance
Weight	0.51 oz (14.5 gms)
Dimensions	Ø0.52" x 0.55" L (See page F27)

How to Order

Add the plunger configuration, anti-rotation flat number, and the coil awg number to the part number (for example: to order a unit with a 60° plunger configuration without an anti-rotation flat rated for 5 VDC at 25% duty cycle, specify 195200-230).

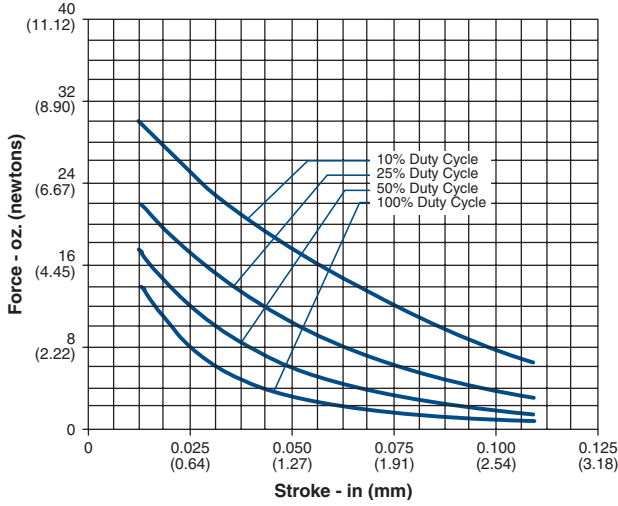
Please see www.ledex.com (click on Stock Products tab) for our list of stock products available through our North American distributors.

All specifications subject to change without notice.

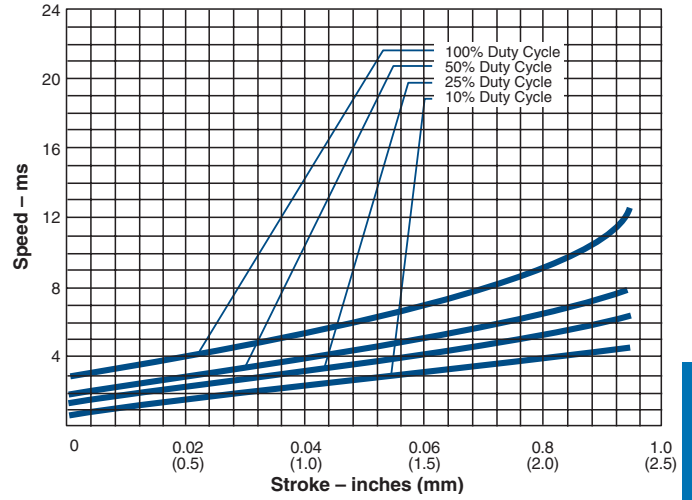
STA® Pull Tubular Solenoids — 1/2" Dia. x 1/2"

Pull Tubular Solenoid – 1/2" Dia. x 1/2" – 60° Plunger

Typical Force @ 20°C



Typical Speed @ No Load, 20°C



LINEAR Tubular

All specifications subject to change without notice.

STA® Pull Magnetic Latching Solenoid — 1/2" Dia. x 1/2"

Part Number: 151082 - X XX

All catalog products manufactured after April 1, 2006 are RoHS Compliant

Coil AWG Number
(from performance chart below)

Plunger Configurations and anti-rotation flat on mounting
 1 Flat Face plunger without anti-rotation flat on mounting
 2 60° plunger without anti-rotation flat on mounting
 5 Flat Face plunger with anti-rotation flat on mounting
 6 60° plunger with anti-rotation flat on mounting

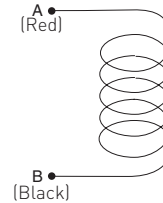
Well-suited for battery operation.



See the "Battery Operated Solenoids" section for complete information.

Coil Polarity

Latch: A+ B-
Unlatch: A- B+



LINEAR Tubular

Performance

	Unlatched Voltage	50%	25%	10%
Maximum Duty Cycle				
Maximum ON Time (sec) when pulsed continuously ¹	n/a	50	5	2
Watts (@ 20°C)	3	6	12	30
Ampere Turns (@ 20°C)	268	379	536	847

Coil Data

avg (0XX) ²	Resistance (@20°C)	# Turns ³	Unlatched VDC	VDC (Nom)	VDC (Nom)	VDC (Nom)
27	0.48	108	1.2	1.7	2.4	3.8
28	0.67	123	1.5	2.1	2.9	4.6
29	1.33	184	1.9	2.7	4.0	6.1
30	1.80	204	2.4	3.3	4.7	7.5
31	3.33	290	3.1	4.4	6.2	9.7
32	4.57	325	3.8	5.3	7.5	11.9
33	7.80	432	4.8	6.8	9.7	15.3
34	13.10	567	6.2	8.8	12.4	20.0
35	17.80	630	7.6	11.0	15.0	24.0
36	29.05	808	9.6	14.0	19.0	30.0
37	45.70	1008	12.2	17.0	24.0	38.0

¹ Continuously pulsed at stated watts and duty cycle

² Other coil awg sizes available — please consult factory

³ Reference number of turns

Specifications

Operation	Pull
Dielectric Strength	500 VRMS
Recommended Minimum Heat Sink	Maximum watts dissipated by solenoid are based on an unrestricted flow of air at 20°C, with solenoid mounted on the equivalent of an aluminum plate measuring 2" square by 1/8" thick
Unlatch Voltage	See schematic and coil data
Magnet Hold Force	7.5 oz (with return spring)
Coil Insulation	Class "B"; 130°C max. temperature standard. Other temperature classes are available.
Coil Termination	10" PVC lead wires
Plunger Pole Face	60° with return spring (other options available upon request)
Plunger Weight	0.093 oz (2.6 gms)
Spring Force	35.2 oz-in: 4.47 oz latched position
Total Weight	0.52 oz (14.7 g)
Dimensions	Ø0.52" x 0.62" L (See page F27)

How to Order

Add the plunger configuration, anti-rotation flat number, and the coil awg number to the part number (for example: to order a 60° plunger unit without an anti-rotation flat, rated for 5 VDC at 25% duty cycle, specify 151082-230).

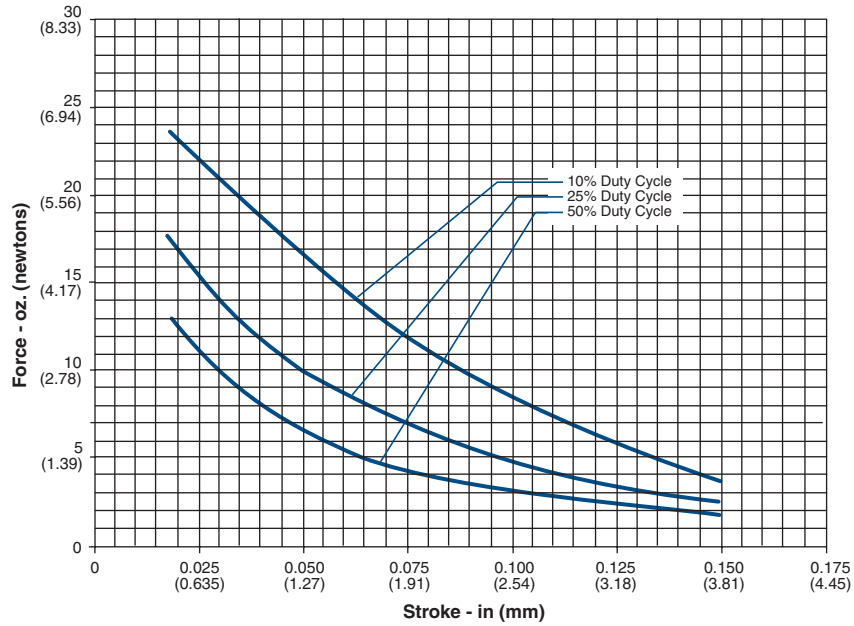
Please see www.ledex.com (click on Stock Products tab) for our list of stock products available through our North American distributors.

All specifications subject to change without notice.

STA® Pull Magnetic Latching Solenoid — 1/2" Dia. x 1/2"

Pull Tubular Solenoid — 1/2" dia. x 1/2" — 60° Plunger

Typical Force @ 20°C (Net, with Spring)



LINEAR Tubular

All specifications subject to change without notice.

STA® Push Tubular Solenoids — 1/2" Dia. x 1/2"

Part Number: 195201-**X****XX**

All catalog products manufactured after April 1, 2006 are RoHS Compliant

Coil AWG Number
(from performance chart below)

Plunger Configurations and anti-rotation flat on mounting
2 60° plunger without anti-rotation flat
6 60° plunger with anti-rotation flat

- Well-suited for battery operation.



See the "Battery Operated Solenoids" section for complete information.

Performance

Maximum Duty Cycle	100%	50%	25%	10%
Maximum ON Time (sec) when pulsed continuously ¹	∞	50	5	2
Maximum ON Time (sec) for single pulse ²	∞	140	30	8
Watts (@ 20°C)	3	6	12	30
Ampere Turns (@ 20°C)	268	379	536	847

Coil Data

avg (0XX) ³	Resistance (@20°C)	# Turns ⁴	VDC (Nom)	VDC (Nom)	VDC (Nom)	VDC (Nom)
27	0.48	108	1.2	1.7	2.4	3.8
28	0.67	123	1.5	2.1	2.9	4.6
29	1.33	184	1.9	2.7	3.9	6.1
30	1.80	204	2.4	3.3	4.7	7.5
31	3.33	290	3.1	4.4	6.2	9.7
32	4.57	325	3.8	5.3	7.5	11.9
33	7.80	432	4.8	6.8	9.7	15.3
34	13.10	567	6.2	8.8	12.4	19.6
35	17.80	630	7.6	11.0	15.0	24.0
36	29.05	808	9.6	14.0	19.0	30.0
37	45.70	1008	12.2	17.0	24.0	38.0

- Continuously pulsed at stated watts and duty cycle
- Single pulse at stated watts (with coil at ambient room temperature 20°C)
- Other coil awg sizes available — please consult factory
- Reference number of turns

Specifications

Dielectric Strength	500 VRMS
Recommended Minimum Heat Sink	Maximum watts dissipated by solenoid are based on an unrestricted flow of air at 20°C, with solenoid mounted on the equivalent of an aluminum plate measuring 2" square by 1/8" thick
Coil Resistance	±5% tolerance
Weight	0.51 oz (14.5 gms)
Dimensions	Ø0.52" x 0.55" L (See page F27)

How to Order

Add the plunger configuration, anti-rotation flat number, and the coil awg number to the part number (for example: to order a unit with a 60° plunger configuration without an anti-rotation flat rated for 5 VDC at 25% duty cycle, specify 195201-230).

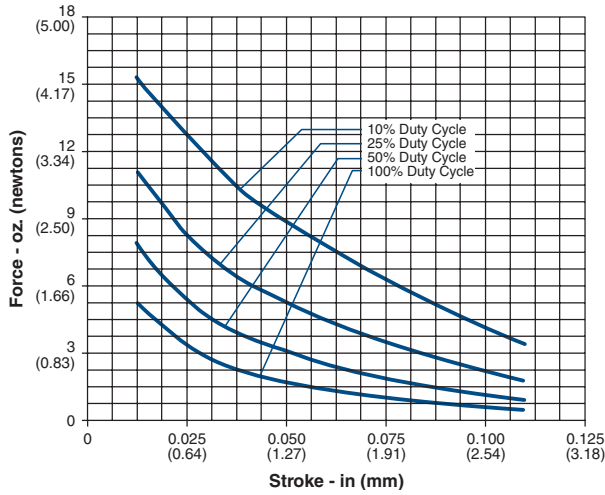
Please see www.ledex.com (click on Stock Products tab) for our list of stock products available through our North American distributors.

All specifications subject to change without notice.

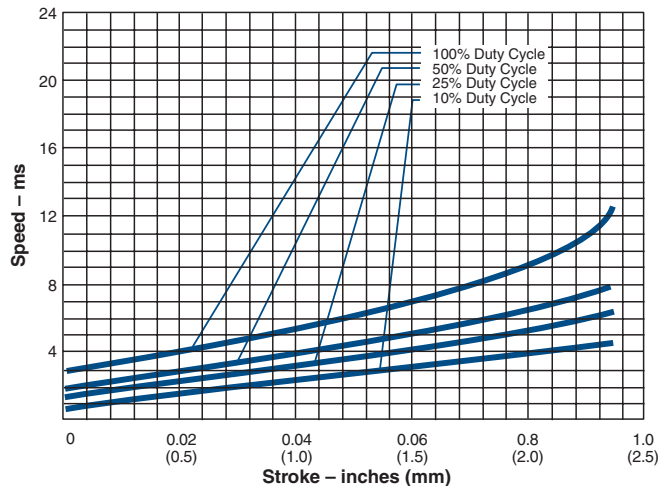
STA® Push Tubular Solenoids — 1/2" Dia. x 1/2"

Push Tubular Solenoid – 1/2" dia. x 1/2" – 60° Plunger

Typical Force @ 20°C



Typical Speed @ No Load, 20°C



LINEAR Tubular

All specifications subject to change without notice.

STA® Pull Tubular Solenoids — 1/2" Dia. x 1"

Part Number: 195202 - X XX

All catalog products manufactured after April 1, 2006 are RoHS Compliant

Coil AWG Number
(from performance chart below)

Plunger Configurations and anti-rotation flat on mounting

- 1 Flat face plunger without anti-rotation flat
- 2 60° plunger without anti-rotation flat
- 5 Flat face plunger with anti-rotation flat
- 6 60° plunger with anti-rotation flat

- Well-suited for battery operation.



See the "Battery Operated Solenoids" section for complete information.

Performance

Maximum Duty Cycle	100%	50%	25%	10%
Maximum ON Time (sec) when pulsed continuously ¹	∞	50	5	2
Maximum ON Time (sec) for single pulse ²	∞	140	30	8
Watts (@ 20°C)	4	8	16	40
Ampere Turns (@ 20°C)	497	704	994	1573

Coil Data

awg (0XX) ³	Resistance (@20°C)	# Turns ⁴	VDC (Nom)	VDC (Nom)	VDC (Nom)	VDC (Nom)
27	1.43	306	2.4	3.4	4.8	7.6
28	1.95	342	2.8	3.9	5.6	8.8
29	3.84	508	3.9	5.5	7.8	12.4
30	5.29	572	4.6	6.5	9.2	14.5
31	9.56	795	6.2	8.8	12.4	19.6
32	16.54	1068	8.1	11.5	16.3	25.7
33	22.60	1194	9.5	13.4	19.0	30.0
34	37.41	1547	12.2	17.3	24.0	39.0
35	60.71	1976	15.6	22.0	31.0	49.0
36	96.19	2475	19.6	28.0	39.0	62.0
37	149.93	3060	24.5	35.0	49.0	77.0

- ¹ Continuously pulsed at stated watts and duty cycle
- ² Single pulse at stated watts (with coil at ambient room temperature 20°C)
- ³ Other coil awg sizes available — please consult factory
- ⁴ Reference number of turns

Specifications

Dielectric Strength	500 VRMS
Recommended Minimum Heat Sink	Maximum watts dissipated by solenoid are based on an unrestricted flow of air at 20°C. with solenoid mounted on the equivalent of an aluminum plate measuring 2" square by 1/8" thick
Coil Resistance	±5% tolerance
Holding Force	Flat Face: 1.18 lb (5.3 N) @ 20°C 60°: 0.90 lb (4.0 N) @ 20°C
Weight	0.87 oz (24.7 gms)
Plunger Weight	0.16 oz (4.5 gms)
Dimensions	Ø0.52" x 1.05" L (See page F28)

How to Order

Add the plunger configuration, anti-rotation flat number, and the coil awg number to the part number (for example: to order a unit with a 60° plunger configuration without an anti-rotation flat rated for 5 VDC at 25% duty cycle, specify 195202-227.

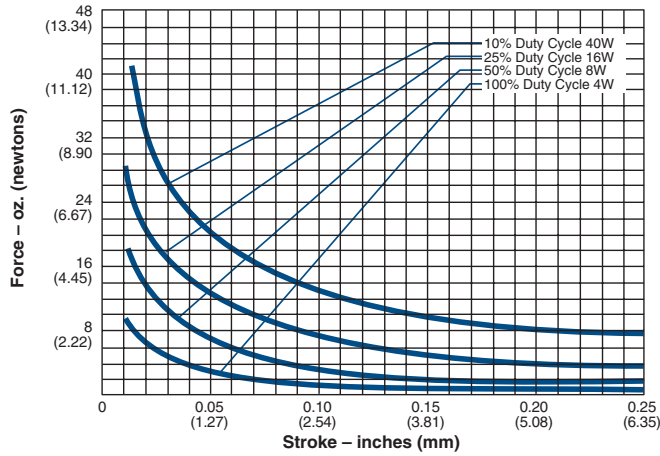
Please see www.ledex.com (click on Stock Products tab) for our list of stock products available through our North American distributors.

All specifications subject to change without notice.

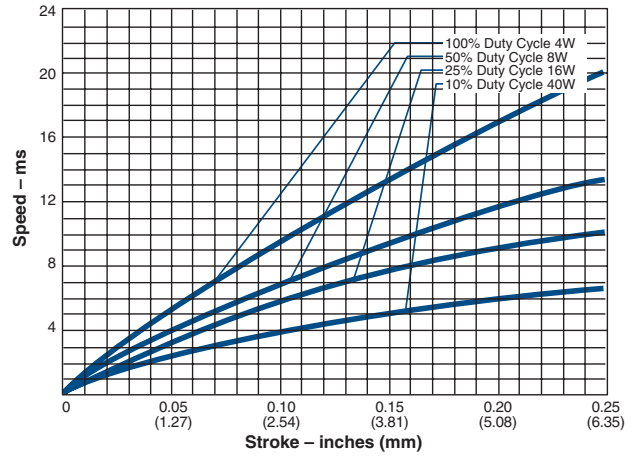
STA® Pull Tubular Solenoids — 1/2" Dia. x 1"

Pull Tubular Solenoid – 1/2" dia. x 1" – Flat Face Plunger

Typical Force @ 20°C

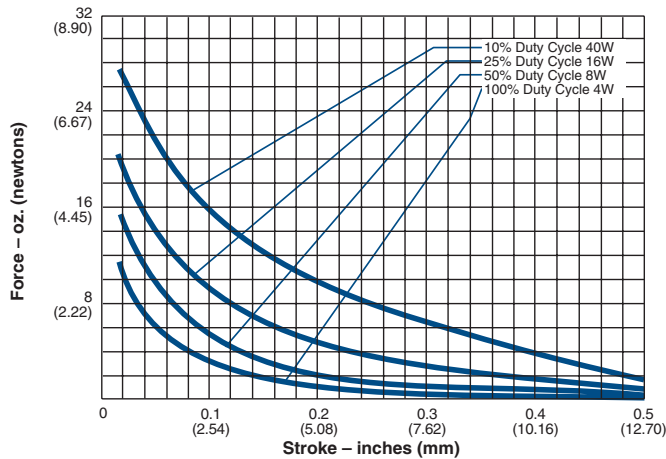


Typical Speed @ No Load, 20°C

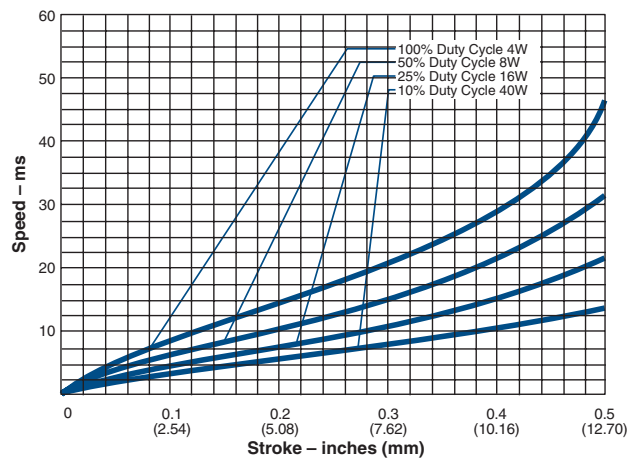


Pull Tubular Solenoid – 1/2" dia. x 1" – 60° Plunger

Typical Force @ 20°C



Typical Speed @ No Load, 20°C



LINEAR Tubular

All specifications subject to change without notice.

STA® Push Tubular Solenoids — 1/2" Dia. x 1"

Part Number: 195203 - **X** **XX**

All catalog products manufactured after April 1, 2006 are RoHS Compliant

Coil AWG Number
(from performance chart below)

Plunger Configurations and anti-rotation flat on mounting

- 1 Flat face plunger without anti-rotation flat
- 2 60° plunger without anti-rotation flat
- 5 Flat face plunger with anti-rotation flat
- 6 60° plunger with anti-rotation flat

- Well-suited for battery operation.



See the "Battery Operated Solenoids" section for complete information.

Performance

Maximum Duty Cycle	100%	50%	25%	10%
Maximum ON Time (sec) when pulsed continuously ¹	∞	50	5	2
Maximum ON Time (sec) for single pulse ²	∞	140	30	8
Watts (@ 20°C)	4	8	16	40
Ampere Turns (@ 20°C)	497	704	994	1573

Coil Data

awg (0XX) ³	Resistance (@20°C)	# Turns ⁴	VDC (Nom)	VDC (Nom)	VDC (Nom)	VDC (Nom)
27	1.43	306	2.4	3.4	4.8	7.6
28	1.95	342	2.8	3.9	5.6	8.8
29	3.84	508	3.9	5.5	7.8	12.4
30	5.29	572	4.6	6.5	9.2	14.5
31	9.56	795	6.2	8.8	12.4	19.6
32	16.54	1068	8.1	11.5	16.3	25.7
33	22.60	1194	9.5	13.4	19.0	30.0
34	37.41	1547	12.2	17.3	24.0	39.0
35	60.71	1976	15.6	22.0	31.0	49.0
36	96.19	2475	19.6	28.0	39.0	62.0
37	149.93	3060	24.5	35.0	49.0	77.0

- ¹ Continuously pulsed at stated watts and duty cycle
- ² Single pulse at stated watts (with coil at ambient room temperature 20°C)
- ³ Other coil awg sizes available — please consult factory
- ⁴ Reference number of turns

Specifications

Dielectric Strength	500 VRMS
Recommended Minimum Heat Sink	Maximum watts dissipated by solenoid are based on an unrestricted flow of air at 20°C, with solenoid mounted on the equivalent of an aluminum plate measuring 2" square by 1/8" thick
Coil Resistance	±5% tolerance
Holding Force	Flat Face: 1.00 lb (4.5 N) @ 20°C 60°: 0.71 lb (3.2 N) @ 20°C
Weight	0.89 oz (25.2 gms)
Plunger Weight	0.11 oz (3.1 gms)
Dimensions	Ø0.52" x 1.05" L (See page F28)

How to Order

Add the plunger configuration, anti-rotation flat number and the coil awg number to the part number (for example: to order a unit with a 60° plunger configuration without anti-rotation rated for 5 VDC at 25% duty cycle, specify 195203-227).

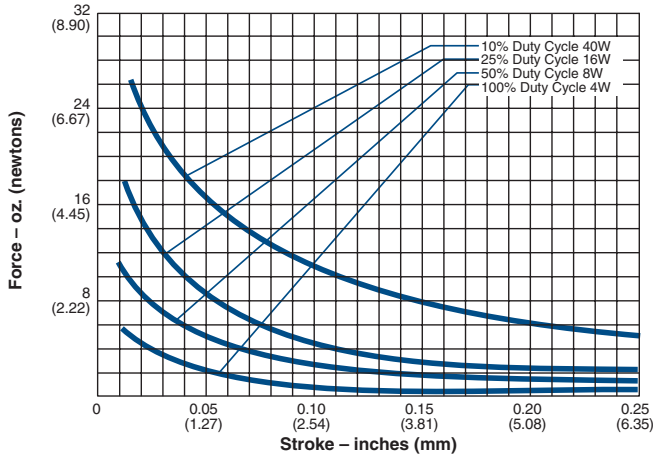
Please see www.ledex.com (click on Stock Products tab) for our list of stock products available through our North American distributors.

All specifications subject to change without notice.

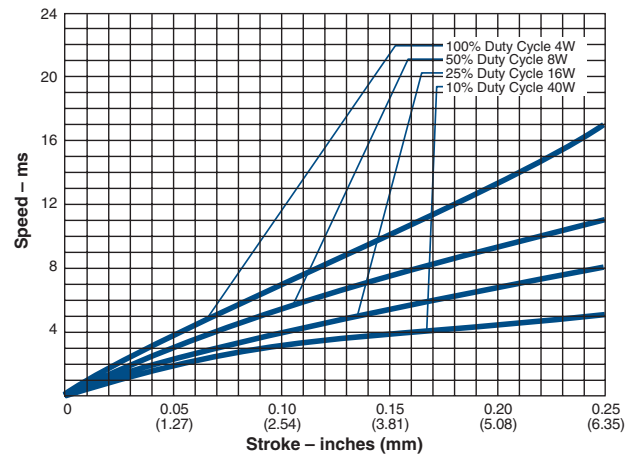
STA® Push Tubular Solenoids — 1/2" Dia. x 1"

Push Tubular Solenoid – 1/2" dia. x 1" – Flat Face Plunger

Typical Force @ 20°C

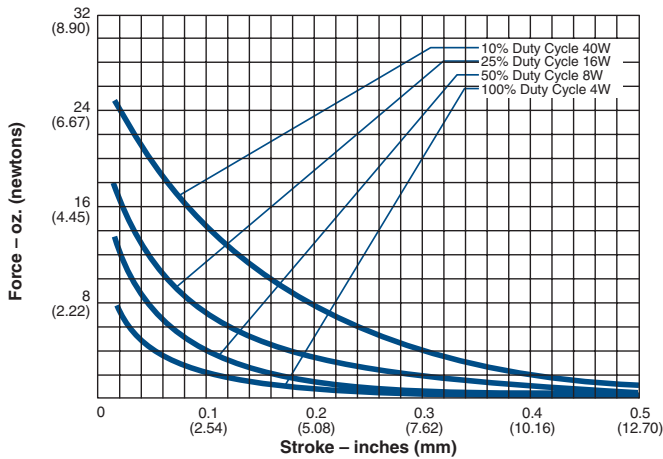


Typical Speed @ No Load, 20°C

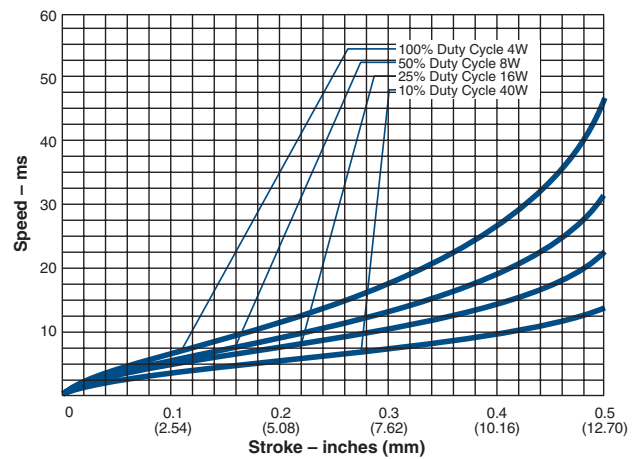


Push Tubular Solenoid – 1/2" dia. x 1" – 60° Plunger

Typical Force @ 20°C



Typical Speed @ No Load, 20°C



LINEAR Tubular

All specifications subject to change without notice.

STA® Pull Tubular Solenoids — 3/4" Dia. x 1-1/2"

Part Number: 195204 - **X** **XX**

All catalog products manufactured after April 1, 2006 are RoHS Compliant

Coil AWG Number
(from performance chart below)

Plunger Configurations and anti-rotation flat on mounting

- 1 Flat face plunger without anti-rotation flat
- 2 60° plunger without anti-rotation flat
- 5 Flat face plunger with anti-rotation flat
- 6 60° plunger with anti-rotation flat

- Well-suited for battery operation.



See the "Battery Operated Solenoids" section for complete information.

Performance

Maximum Duty Cycle	100%	50%	25%	10%
Maximum ON Time (sec) when pulsed continuously ¹	∞	230	25	6
Maximum ON Time (sec) for single pulse ²	∞	265	63	15
Watts (@ 20°C)	7	14	28	70
Ampere Turns (@ 20°C)	855	1200	1700	2700

Coil Data

awg (0XX) ³	Resistance (@20°C)	# Turns ⁴	VDC (Nom)	VDC (Nom)	VDC (Nom)	VDC (Nom)
24	1.10	330	2.7	3.8	5.6	8.8
25	2.13	488	3.9	5.5	7.7	12.2
26	2.90	544	4.5	6.4	9.0	14.2
27	5.27	760	6.1	8.6	12.1	19.2
28	9.15	1026	8.0	11.3	16.0	25.0
29	12.50	1146	9.4	13.2	18.7	30.0
30	20.70	1491	12.0	17.0	24.0	38.0
31	33.60	1904	15.0	22.0	31.0	48.0
32	53.50	2394	19.4	27.0	39.0	61.0
33	83.50	2970	24.0	34.0	48.0	76.0

- ¹ Continuously pulsed at stated watts and duty cycle
- ² Single pulse at stated watts (with coil at ambient room temperature 20°C)
- ³ Other coil awg sizes available — please consult factory
- ⁴ Reference number of turns

Specifications

Dielectric Strength	1000 VRMS
Recommended Minimum Heat Sink	Maximum watts dissipated by solenoid are based on an unrestricted flow of air at 20°C, with solenoid mounted on the equivalent of an aluminum plate measuring 3" square by 1/8" thick
Coil Resistance	±5% tolerance
Holding Force	Flat Face: 5.24 lb (23.3 N) @ 20°C 60°: 2.88 lb (12.8 N) @ 20°C
Weight	2.95 oz (83.6 gms)
Plunger Weight	0.71 oz (20.1 gms)
Dimensions	Ø0.77" x 1.55" L (See page F29)

How to Order

Add the plunger number and the coil awg number to the part number (for example: to order a unit with a 60° plunger configuration without an anti-rotation flat rated for 12 VDC at 25% duty cycle, specify 195204-227.

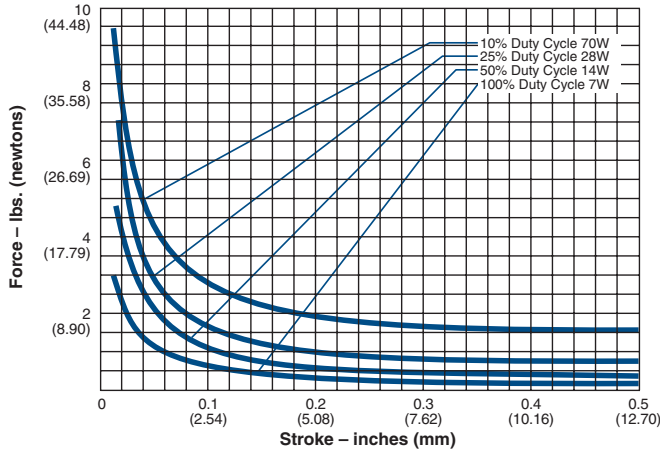
Please see www.ledex.com (click on Stock Products tab) for our list of stock products available through our North American distributors.

All specifications subject to change without notice.

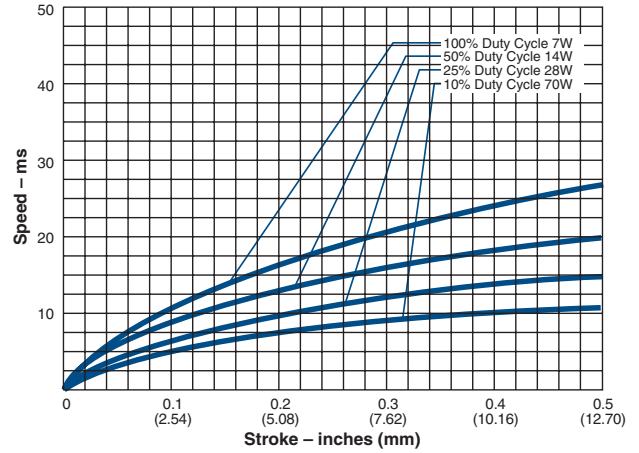
STA® Pull Tubular Solenoids — 3/4" Dia. x 1-1/2"

Pull Tubular Solenoid – 3/4" dia. x 1-1/2" – Flat Face Plunger

Typical Force @ 20°C

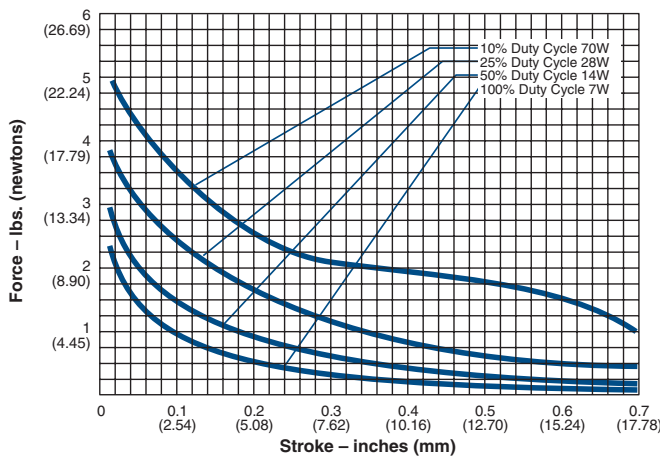


Typical Speed @ No Load, 20°C

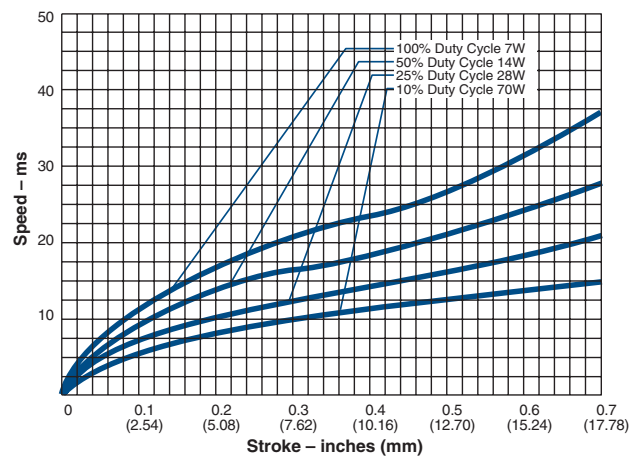


Pull Tubular Solenoid – 3/4" dia. x 1-1/2" – 60° Plunger

Typical Force @ 20°C



Typical Speed @ No Load, 20°C



LINEAR Tubular

All specifications subject to change without notice.

STA® Push Tubular Solenoids — 3/4" Dia. x 1-1/2"

Part Number: 195205 - **X** **XX**

All catalog products manufactured after April 1, 2006 are RoHS Compliant

Coil AWG Number
(from performance chart below)

Plunger Configurations and anti-rotation flat on mounting

- 1 Flat face plunger without anti-rotation flat
- 2 60° plunger without anti-rotation flat
- 5 Flat face plunger with anti-rotation flat
- 6 60° plunger with anti-rotation flat

- Well-suited for battery operation.



See the "Battery Operated Solenoids" section for complete information.

Performance

Maximum Duty Cycle	100%	50%	25%	10%
Maximum ON Time (sec) when pulsed continuously ¹	∞	230	25	6
Maximum ON Time (sec) for single pulse ²	∞	265	63	15
Watts @ 20°C	7	14	28	70
Ampere Turns (@ 20°C)	855	1200	1700	2700

Coil Data

awg (0XX) ³	Resistance (@20°C)	# Turns ⁴	VDC (Nom)	VDC (Nom)	VDC (Nom)	VDC (Nom)
24	1.10	330	2.7	3.8	5.6	8.8
25	2.13	488	3.9	5.5	7.7	12.2
26	2.90	544	4.5	6.4	9.0	14.2
27	5.27	760	6.1	8.6	12.1	19.2
28	9.15	1026	8.0	11.3	16.0	25.0
29	12.50	1146	9.4	13.2	18.7	30.0
30	20.70	1491	12.0	17.0	24.0	38.0
31	33.60	1904	15.0	22.0	31.0	48.0
32	53.50	2394	19.4	27.0	39.0	61.0
33	83.50	2970	24.0	34.0	48.0	76.0

- ¹ Continuously pulsed at stated watts and duty cycle
- ² Single pulse at stated watts (with coil at ambient room temperature 20°C)
- ³ Other coil awg sizes available — please consult factory
- ⁴ Reference number of turns

Specifications

Dielectric Strength	1000 VRMS
Recommended Minimum Heat Sink	Maximum watts dissipated by solenoid are based on an unrestricted flow of air at 20°C, with solenoid mounted on the equivalent of an aluminum plate measuring 3" square by 1/8" thick
Coil Resistance	±5% tolerance
Holding Force	Flat Face: 4.95 lb (22.0 N) @ 20°C 60°: 2.85 lb (12.7 N) @ 20°C
Weight	3.08 oz (87.3 gms)
Plunger Weight	0.53 oz (15.0 gms)
Dimensions	Ø0.77" x 1.55" L (See page F29)

How to Order

Add the plunger number and the coil awg number to the part number (for example: to order a unit with a 60° plunger configuration without an anti-rotation flat rated for 12 VDC at 25% duty cycle, specify 195205-227.

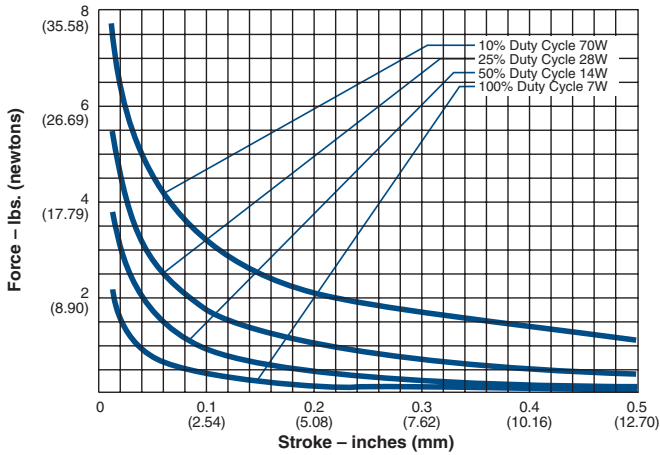
Please see www.ledex.com (click on Stock Products tab) for our list of stock products available through our North American distributors.

All specifications subject to change without notice.

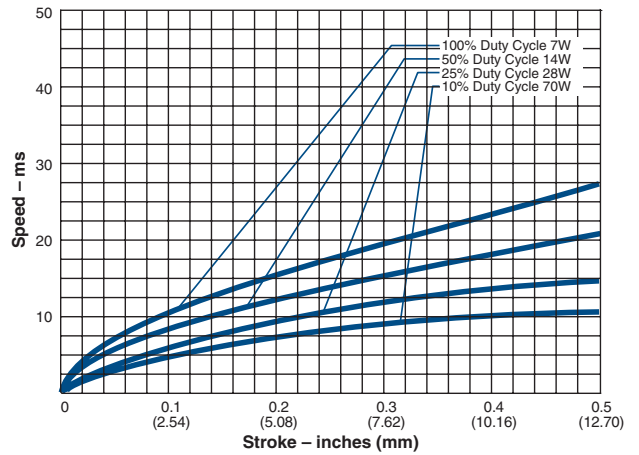
STA® Push Tubular Solenoids — 3/4" Dia. x 1-1/2"

Push Tubular Solenoid – 3/4" dia. x 1-1/2" – Flat Face Plunger

Typical Force @ 20°C

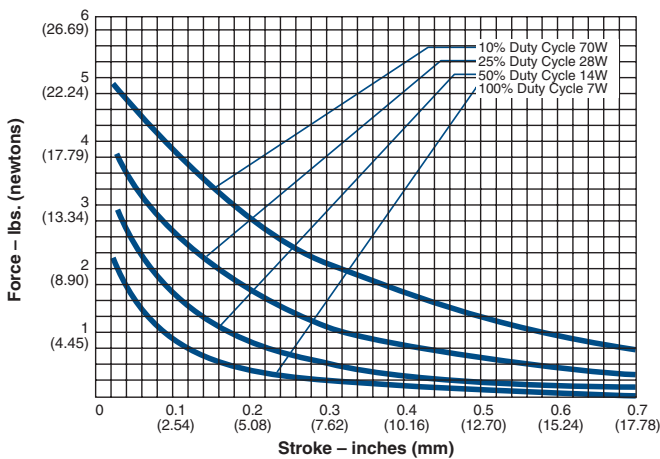


Typical Speed @ No Load, 20°C

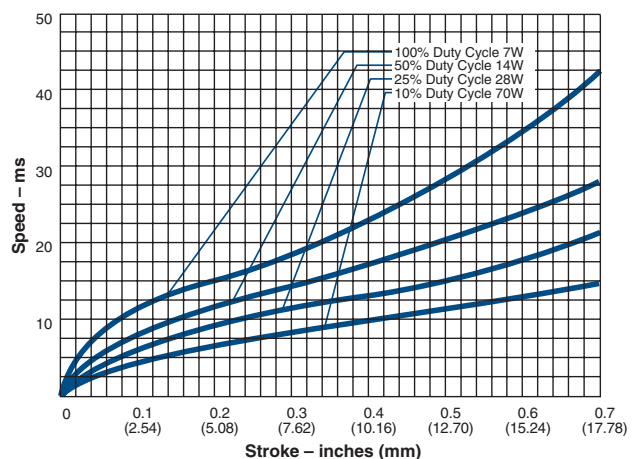


Push Tubular Solenoid – 3/4" dia. x 1-1/2" – 60° Plunger

Typical Force @ 20°C



Typical Speed @ No Load, 20°C



LINEAR Tubular

All specifications subject to change without notice.

STA® Pull Tubular Solenoids — 1" Dia. x 2"

Part Number: 195206 - X XX

All catalog products manufactured after April 1, 2006 are RoHS Compliant

Coil AWG Number
(from performance chart below)

Plunger Configurations and anti-rotation flat on mounting

- 1 Flat face plunger without anti-rotation flat
- 2 60° plunger without anti-rotation flat
- 5 Flat face plunger with anti-rotation flat
- 6 60° plunger with anti-rotation flat

Performance

Maximum Duty Cycle	100%	50%	25%	10%
Maximum ON Time (sec) when pulsed continuously ¹	∞	360	32	8
Maximum ON Time (sec) for single pulse ²	∞	470	120	32
Watts (@ 20°C)	10	20	40	100
Ampere Turns (@ 20°C)	1166	1649	2332	3688

Coil Data

awg (0XX) ³	Resistance (@20°C)	# Turns ⁴	VDC (Nom)	VDC (Nom)	VDC (Nom)	VDC (Nom)
23	1.96	536	4.4	6.3	8.9	14.0
24	2.69	600	5.2	7.3	10.4	16.4
25	4.89	840	7.0	9.9	14.0	22.0
26	8.44	1128	9.2	13.0	18.4	29.0
27	11.50	1260	10.7	15.2	21.0	34.0
28	19.20	1645	13.8	19.6	28.0	44.0
29	31.20	2104	17.7	25.0	35.0	56.0
30	49.60	2646	22.0	31.0	45.0	70.0
31	77.40	3280	28.0	39.0	56.0	88.0
32	119.00	4026	35.0	49.0	69.0	109.0
33	202.00	5317	45.0	64.0	90.0	142.0

- ¹ Continuously pulsed at stated watts and duty cycle
- ² Single pulse at stated watts (with coil at ambient room temperature 20°C)
- ³ Other coil awg sizes available — please consult factory
- ⁴ Reference number of turns

Specifications

Dielectric Strength	1000 VRMS
Recommended Minimum Heat Sink	Maximum watts dissipated by solenoid are based on an unrestricted flow of air at 20°C, with solenoid mounted on the equivalent of an aluminum plate measuring 4" square by 1/8" thick
Coil Resistance	±5% tolerance
Holding Force	Flat Face: 13.83 lb (61.5 N) @ 20°C 60°: 6.61 lb (29.4 N) @ 20°C
Weight	6.96 oz (197.3 gms)
Plunger Weight	1.60 oz (45.4 gms)
Dimensions	Ø1.02" x 2.05" L (See page F30)

How to Order

Add the plunger configuration number and the coil awg number to the part number (for example: to order a unit with a 60° plunger rated for 21 VDC at 25% duty cycle, specify 195206-227.

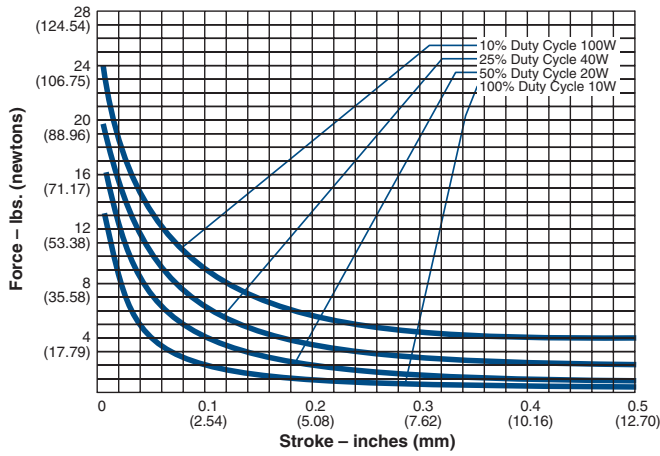
Please see www.ledex.com (click on Stock Products tab) for our list of stock products available through our North American distributors.

All specifications subject to change without notice.

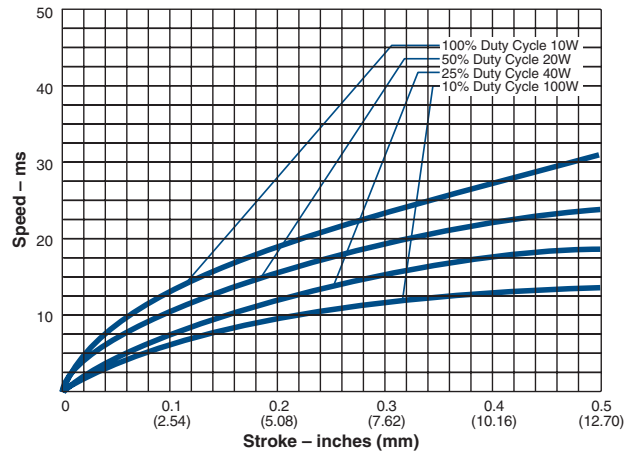
STA[®] Pull Tubular Solenoids — 1" Dia. x 2"

Pull Tubular Solenoid – 1" dia. x 2" – Flat Face Plunger

Typical Force @ 20°C

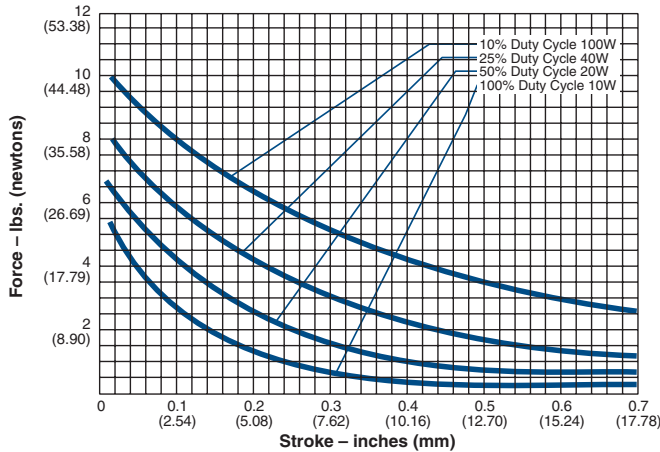


Typical Speed @ No Load, 20°C

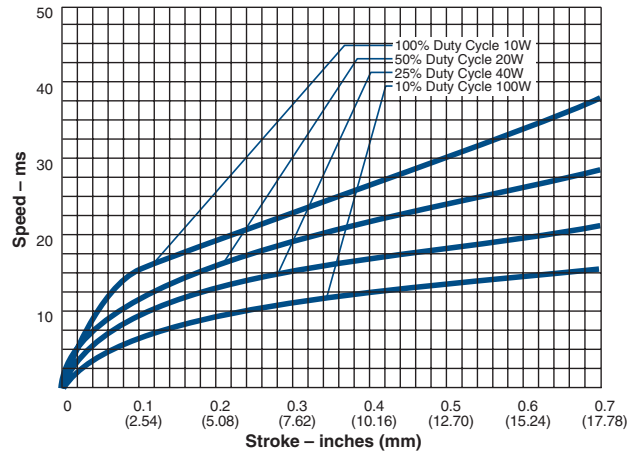


Pull Tubular Solenoid – 1" dia. x 2" – 60° Plunger

Typical Force @ 20°C



Typical Speed @ No Load, 20°C



LINEAR Tubular

All specifications subject to change without notice.

STA® Push Tubular Solenoids — 1" Dia. x 2"

Part Number: 195207 - X XX

All catalog products manufactured after April 1, 2006 are RoHS Compliant

Coil AWG Number
(from performance chart below)

Plunger Configurations and anti-rotation flat on mounting

- 1 Flat face plunger without anti-rotation flat
- 2 60° plunger without anti-rotation flat
- 5 Flat face plunger with anti-rotation flat
- 6 60° plunger with anti-rotation flat

Performance

Maximum Duty Cycle	100%	50%	25%	10%
Maximum ON Time (sec) when pulsed continuously ¹	∞	360	32	8
Maximum ON Time (sec) for single pulse ²	∞	470	120	32
Watts (@ 20°C)	10	20	40	100
Ampere Turns (@ 20°C)	1166	1649	2332	3688

Coil Data

awg (0XX) ³	Resistance (@20°C)	# Turns ⁴	VDC (Nom)	VDC (Nom)	VDC (Nom)	VDC (Nom)
23	1.96	536	4.4	6.3	8.9	14.0
24	2.69	600	5.2	7.3	10.4	16.4
25	4.89	840	7.0	9.9	14.0	22.0
26	8.44	1128	9.2	13.0	18.4	29.0
27	11.50	1260	10.7	15.2	21.0	34.0
28	19.20	1645	13.8	19.6	28.0	44.0
29	31.20	2104	17.7	25.0	35.0	56.0
30	49.60	2646	22.0	31.0	45.0	70.0
31	77.40	3280	28.0	39.0	56.0	88.0
32	119.00	4026	35.0	49.0	69.0	109.0
33	202.00	5317	45.0	64.0	90.0	142.0

- ¹ Continuously pulsed at stated watts and duty cycle
- ² Single pulse at stated watts (with coil at ambient room temperature 20°C)
- ³ Other coil awg sizes available — please consult factory
- ⁴ Reference number of turns

Specifications

Dielectric Strength	1000 VRMS
Recommended Minimum Heat Sink	Maximum watts dissipated by solenoid are based on an unrestricted flow of air at 20°C, with solenoid mounted on the equivalent of an aluminum plate measuring 4" square by 1/8" thick
Coil Resistance	±5% tolerance
Holding Force	Flat Face: 11.82 lb (52.6 N) @ 20°C 60°: 6.49 lb (28.9 N) @ 20°C
Weight	6.73 oz (190.8 gms)
Plunger Weight	1.19 oz (33.7 gms)
Dimensions	Ø1.02" x 2.05" L (See page F30)

How to Order

Add the plunger configuration number and the coil awg number to the part number (for example: to order a unit with a 60° plunger rated for 21 VDC at 25% duty cycle, specify 195207-227).

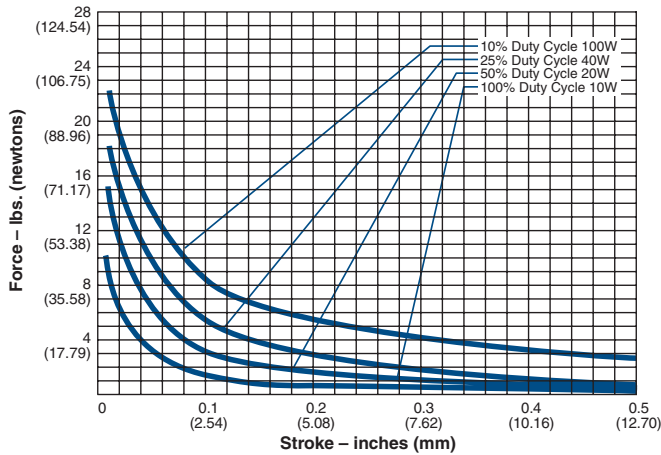
Please see www.ledex.com (click on Stock Products tab) for our list of stock products available through our North American distributors.

All specifications subject to change without notice.

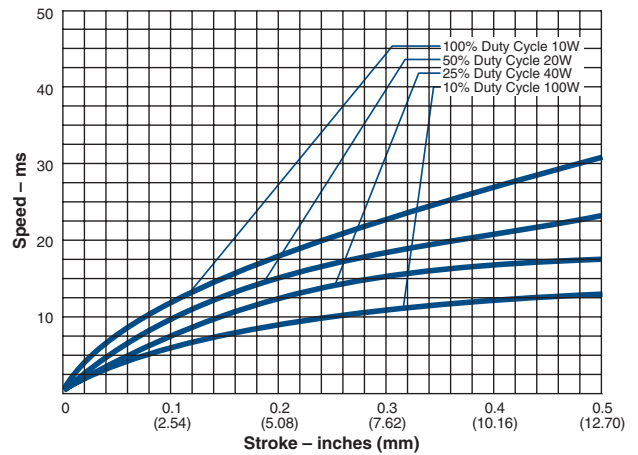
STA[®] Push Tubular Solenoids — 1" Dia. x 2"

Push Tubular Solenoid – 1" dia. x 2" – Flat Face Plunger

Typical Force @ 20°C

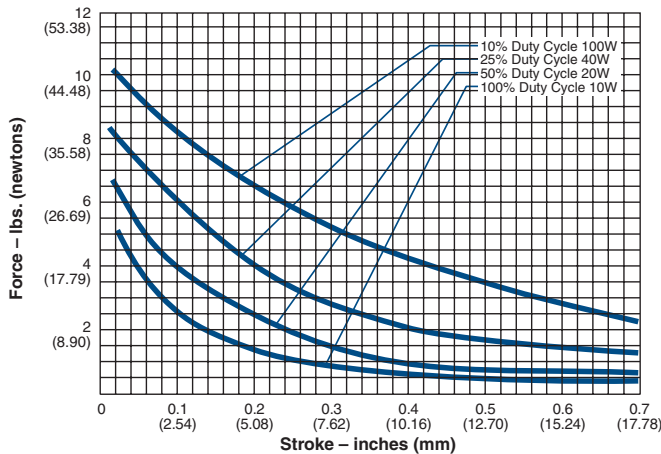


Typical Speed @ No Load, 20°C

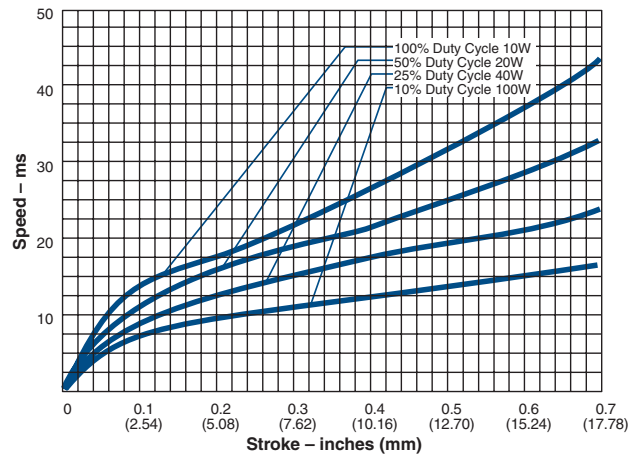


Push Tubular Solenoid – 1" dia. x 2" – 60° Plunger

Typical Force @ 20°C



Typical Speed @ No Load, 20°C



LINEAR Tubular

All specifications subject to change without notice.

Ledex® Size 125 Pull Tubular Solenoids — 1-1/4" Dia. x 2-1/4"

Part Number: 174419-0XX

All catalog products manufactured after April 1, 2006 are RoHS Compliant

Performance

Maximum Duty Cycle	100%	50%	25%	10%
Maximum ON Time (sec) when pulsed continuously ¹	∞	390	60	18
Maximum ON Time (sec) for single pulse ²	∞	510	160	45
Watts (@ 20°C)	13	26	52	130
Ampere Turns (@ 20°C)	1500	2121	3000	4743

Coil Data

awg (0XX) ³	Resistance (@20°C)	# Turns ⁴	VDC (Nom)	VDC (Nom)	VDC (Nom)	VDC (Nom)
23	3.52	780	6.8	9.6	13.6	22.0
24	6.04	1056	8.6	12.2	17.2	27.0
25	8.47	1176	10.9	15.4	22.0	34.0
26	14.10	1540	13.8	19.5	28.0	44.0
27	22.50	1970	17.3	24.0	35.0	55.0
28	36.10	2484	22.0	31.0	44.0	69.0
29	55.10	3060	27.0	38.0	54.0	86.0
30	88.10	3805	35.0	49.0	70.0	110.0
31	147.00	5044	44.0	62.0	88.0	139.0
32	214.00	5992	54.0	76.0	107.0	170.0
33	354.00	7744	69.0	98.0	138.0	218.0

- ¹ Continuously pulsed at stated watts and duty cycle
- ² Single pulse at stated watts (with coil at ambient room temperature 20°C)
- ³ Other coil awg sizes available — please consult factory
- ⁴ Reference number of turns

Specifications

Dielectric Strength	1000 VRMS
Recommended Minimum Heat Sink	Maximum watts dissipated by solenoid are based on an unrestricted flow of air at 20°C, with solenoid mounted on the equivalent of an aluminum plate measuring 5" square by 1/8" thick
Coil Resistance	±5% tolerance
Holding Force	9 lbs (40.0 N) @ 20°C
Weight	10.41 oz (295 gms)
Dimensions	Ø1.25" x 2.25" L (See page F31)

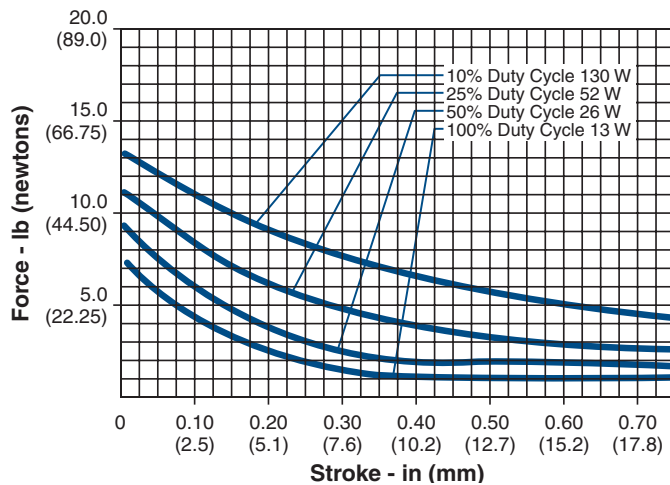
How to Order

Add the coil awg number (0XX) to the part number (for example: to order a 25% duty cycle unit rated at 35 VDC, specify 174419-027).

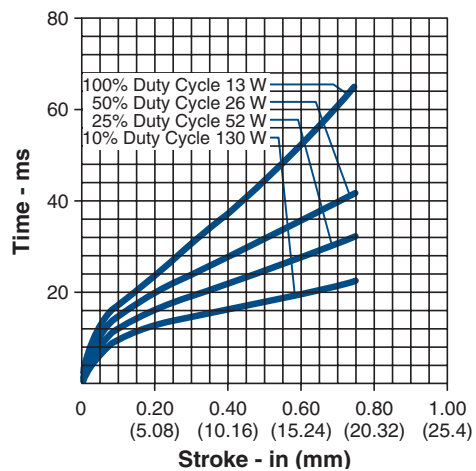
Please see www.ledex.com (click on Stock Products tab) for our list of stock products available through our North American distributors.

LINEAR Tubular

Size 125 Pull — Typical Force @ 20°C



Size 125 Pull — Typical Speed @ No Load, 20°C



All specifications subject to change without notice.

Ledex® Size 150 Pull Tubular Solenoids — 1-1/2" Dia. x 2-1/2"

Part Number: 174432-0XX

All catalog products manufactured after April 1, 2006 are RoHS Compliant

Performance

Maximum Duty Cycle	100%	50%	25%	10%
Maximum ON Time (sec) when pulsed continuously ¹	∞	420	100	25
Maximum ON Time (sec) for single pulse ²	∞	570	252	75
Watts (@ 20°C)	17	34	68	170
Ampere Turns (@ 20°C)	1800	2546	3600	5692

Coil Data						
awg (0XX) ³	Resistance (@20°C)	# Turns ⁴	VDC (Nom)	VDC (Nom)	VDC (Nom)	VDC (Nom)
23	5.58	1030	9.8	13.9	19.7	31.0
24	9.30	1344	12.4	17.6	25.0	39.0
25	14.90	1712	15.7	22.0	31.0	50.0
26	24.00	2180	19.9	28.0	40.0	63.0
27	36.90	2680	25.0	35.0	50.0	79.0
28	58.40	3322	32.0	45.0	63.0	100.0
29	87.50	4008	39.0	56.0	79.0	124.0
30	148.00	5292	50.0	71.0	101.0	159.0
31	224.00	6360	63.0	90.0	127.0	200.0
32	344.00	7956	78.0	110.0	155.0	246.0
33	554.00	10070	100.0	141.0	199.0	315.0

- ¹ Continuously pulsed at stated watts and duty cycle
- ² Single pulse at stated watts (with coil at ambient room temperature 20°C)
- ³ Other coil awg sizes available — please consult factory
- ⁴ Reference number of turns

Specifications

Dielectric Strength	1000 VRMS
Recommended Minimum Heat Sink	Maximum watts dissipated by solenoid are based on an unrestricted flow of air at 20°C, with solenoid mounted on the equivalent of an aluminum plate measuring 6" square by 1/8" thick
Coil Resistance	±5% tolerance
Holding Force	14.5 lbs (64.5 N) at 20°C
Weight	17 oz (481.8 gms)
Dimensions	Ø1.50" x 2.50" L (See page F31)

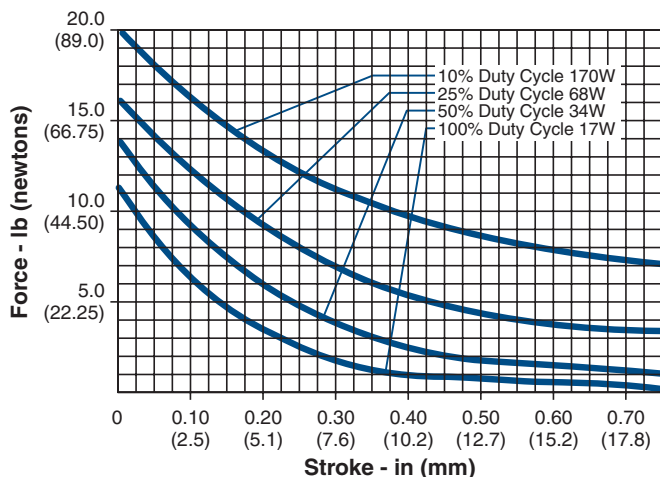
How to Order

Add the coil awg number (0XX) to the part number (for example: to order a 25% duty cycle unit rated at 50 VDC, specify 174432-027).

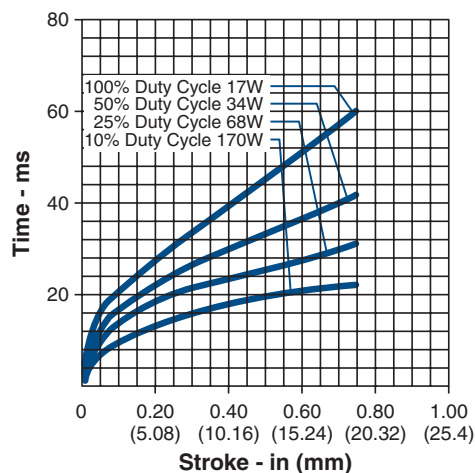
Please see www.ledex.com (click on Stock Products tab) for our list of stock products available through our North American distributors.

LINEAR Tubular

Size 150 Pull — Typical Force @ 20°C



Size 150 Pull — Typical Speed @ No Load, 20°C



All specifications subject to change without notice.

Ledex® Size 175 Pull Tubular Solenoids — 1-3/4" Dia. x 4-3/4"

Part Number: 194580-OXX

Class 180 H UL Recognized
Coil Insulation System

UL File No. E131577

All catalog products manufactured after
April 1, 2006 are RoHS Compliant

Performance

Maximum Duty Cycle	100%	50%	25%	10%
Maximum ON Time (sec) when pulsed continuously ¹	∞	882	209	54
Maximum ON Time (sec) for single pulse ²	∞	1,200	528	162
Watts (@ 20°C)	20	40	80	200
Ampere Turns (@ 20°C)	2923	4133	5844	9238

Coil Data						
awg (OXX) ³	Resistance (@20°C)	# Turns ⁴	VDC (Nom)	VDC (Nom)	VDC (Nom)	VDC (Nom)
23	14.60	2544	17.1	24.2	34.2	54.0
24	23.30	3204	21.6	30.5	43.2	68.3
25	36.40	3990	27.0	38.2	54.0	85.3
26	56.20	4906	33.5	47.4	67.1	106.0
27	95.30	6474	43.7	61.7	87.3	138.1
28	142.90	7798	53.5	75.6	106.9	169.1
29	231.80	9952	68.1	96.3	136.2	215.3
30	368.40	12510	85.8	121.4	171.7	271.4
31	575.40	15520	107.3	151.7	214.6	339.2
32	940.20	19895	137.1	193.9	274.3	433.6
33	1,425.00	24125	168.8	238.7	337.6	533.9

- Continuously pulsed at stated watts and duty cycle
- Single pulse at stated watts (with coil at ambient room temperature 20°C)
- Other coil awg sizes available — please consult factory
- Reference number of turns

Specifications

Dielectric Strength	1000 VRMS
Recommended Minimum Heat Sink	Maximum watts dissipated by solenoid are based on an unrestricted flow of air at 20°C, with solenoid mounted on the equivalent of an aluminum plate measuring 10" square by 1/8" thick
Coil Resistance	±5% tolerance
Holding Force	18 lbs (80.1 N) @ 20°C
Weight	2.25 lb (1.02 kg)
Dimensions	Ø1.75" x 4.71" L (See page F32)

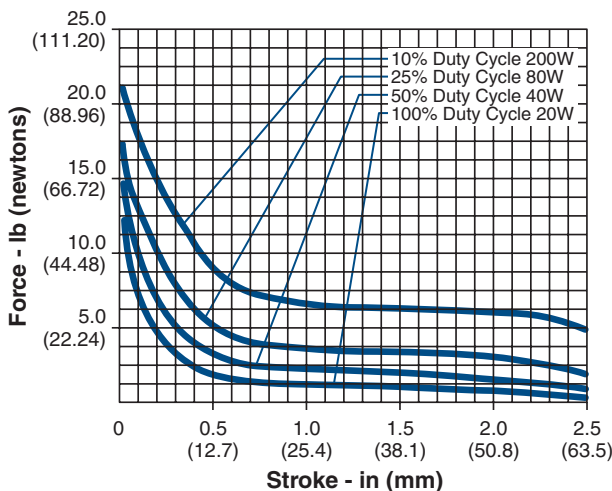
How to Order

Add the coil awg number (OXX) to the part number (for example: to order a 25% duty cycle unit rated at 87 VDC, specify 194580-027).

Please see www.ledex.com (click on Stock Products tab) for our list of stock products available through our North American distributors.

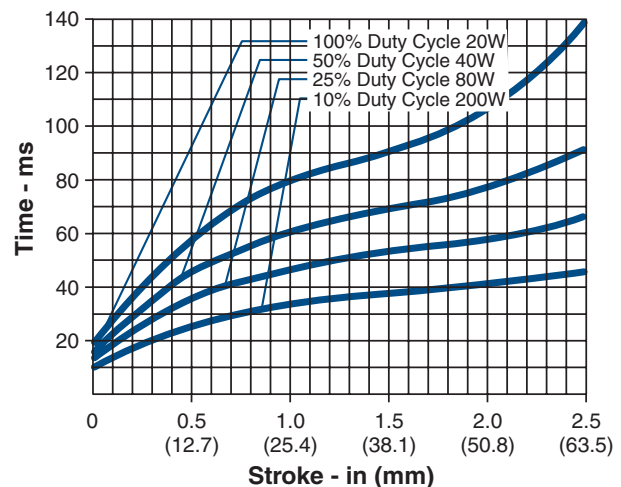
LINEAR Tubular

Size 175 Pull — Typical Force @ 20°C



Force values for reference only.

Size 175 Pull — Typical Speed @ No Load, 20°C

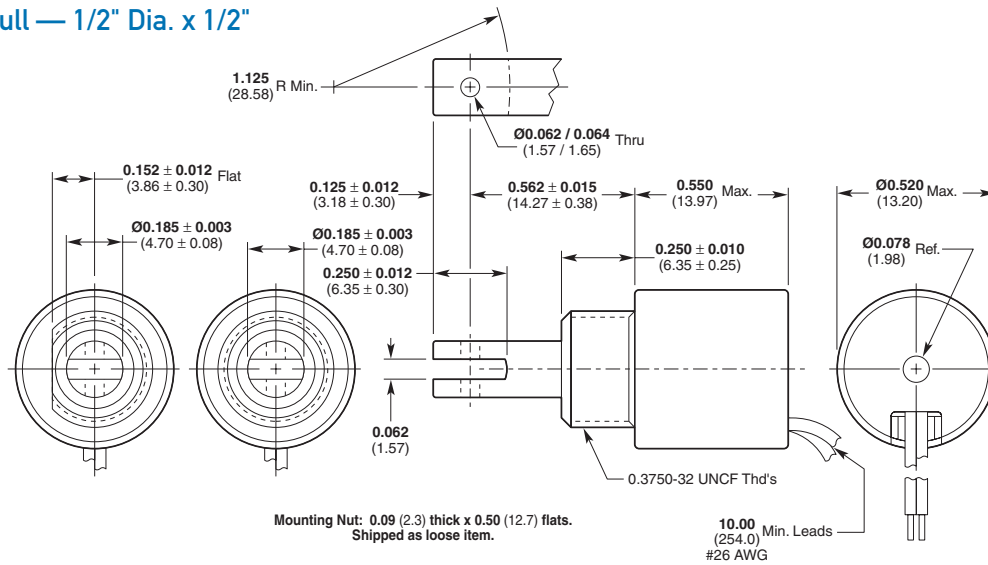


All specifications subject to change without notice.

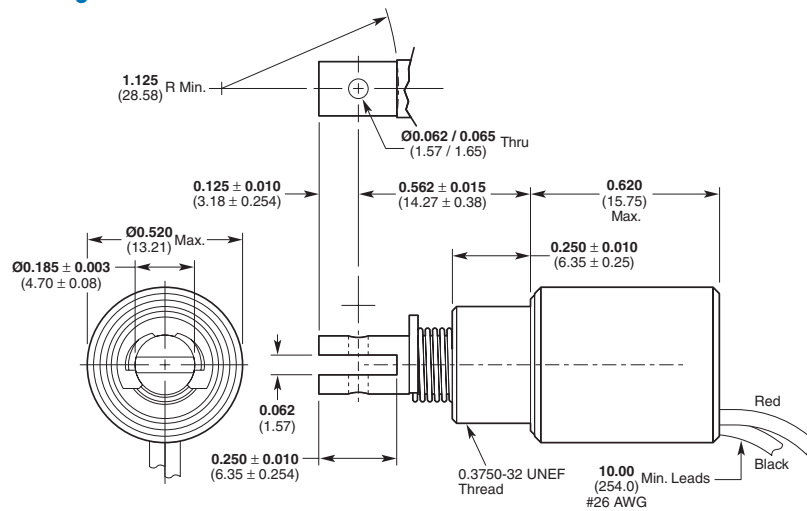
Ledex® Tubular Solenoids Dimensions

Inches (mm)

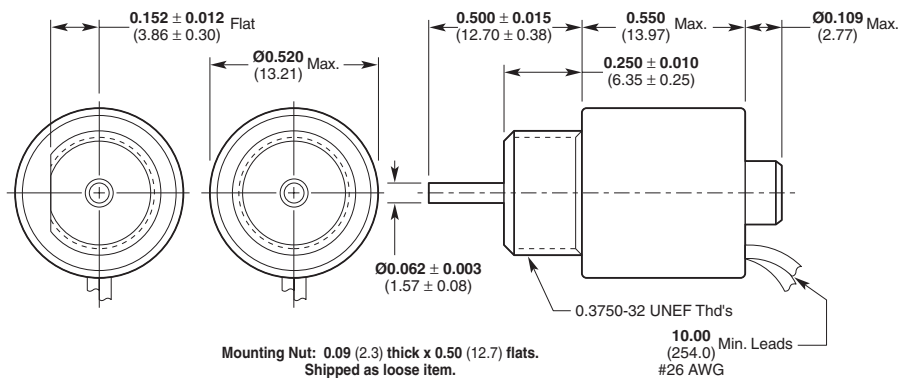
STA® Series Pull — 1/2" Dia. x 1/2"



STA® Series Magnetic Latching Pull — 1/2" Dia. x 1/2"



STA® Series Push — 1/2" Dia. x 1/2"



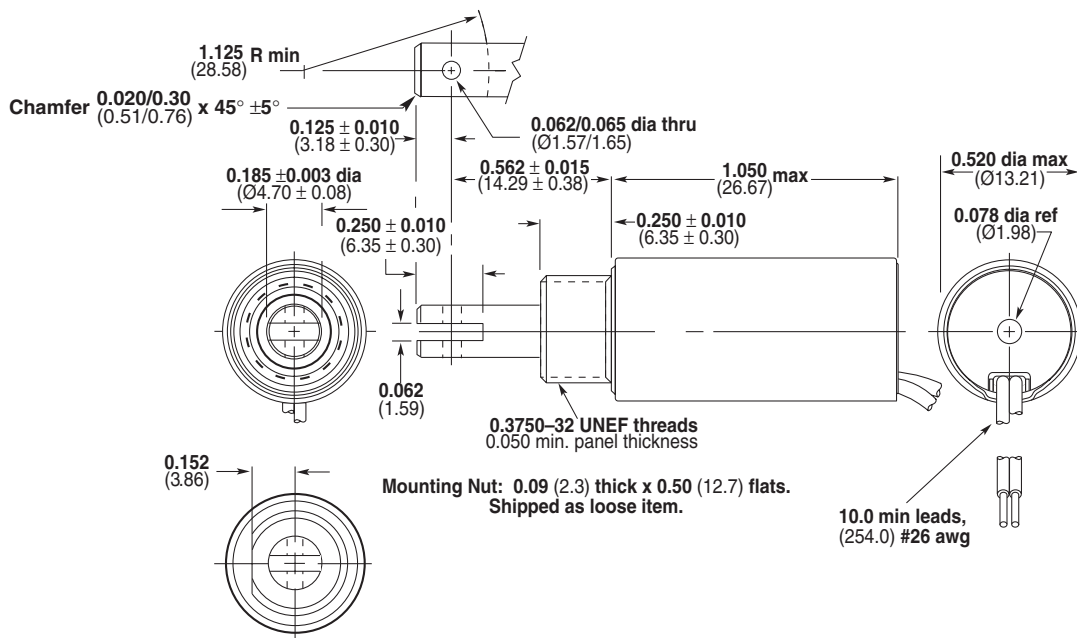
All solenoids are illustrated in energized state

All specifications subject to change without notice.

Ledex® Tubular Solenoids Dimensions

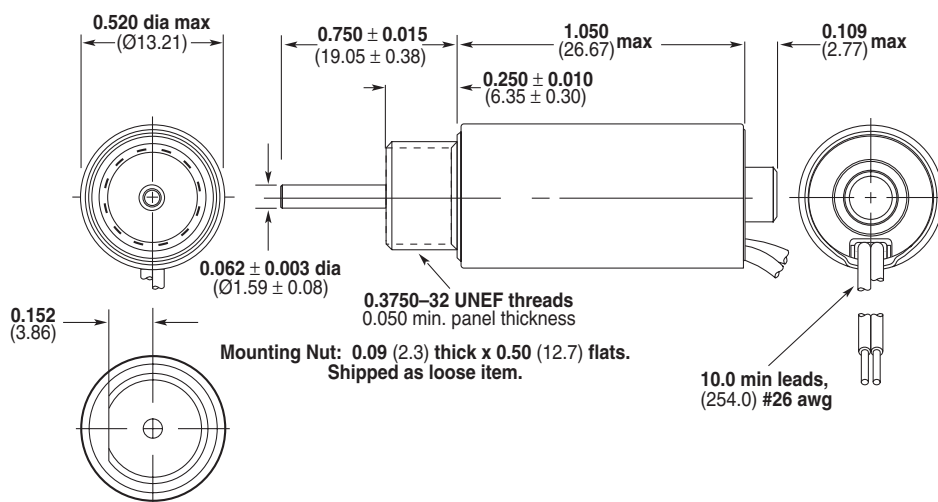
Inches (mm)

STA® Series Pull — 1/2" Dia. x 1"



LINEAR Tubular

STA® Series Push — 1/2" Dia. x 1"



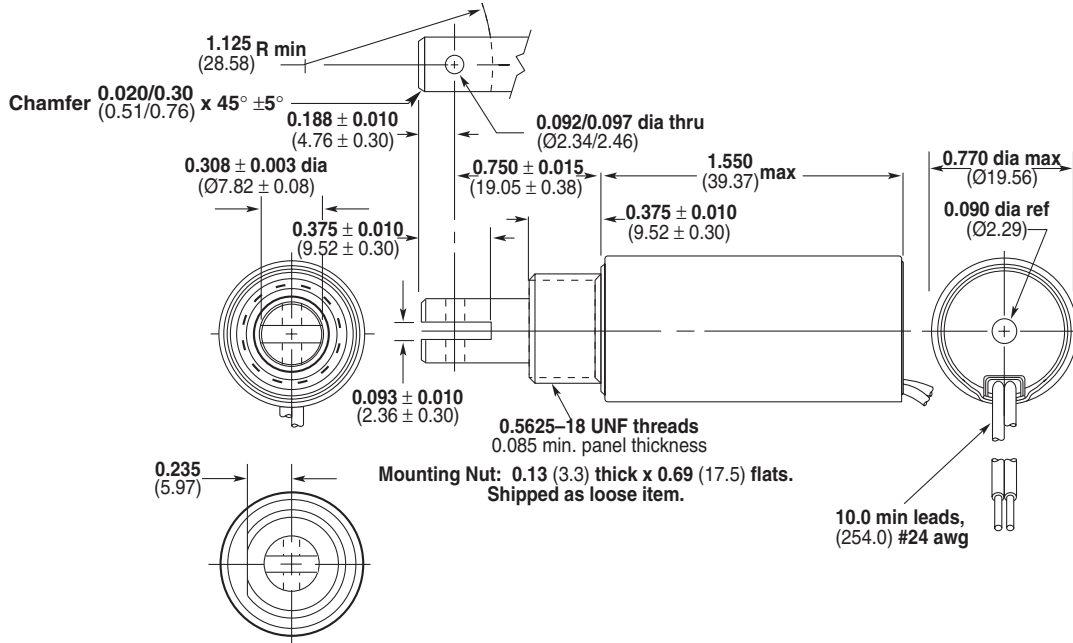
All solenoids are illustrated in energized state

All specifications subject to change without notice.

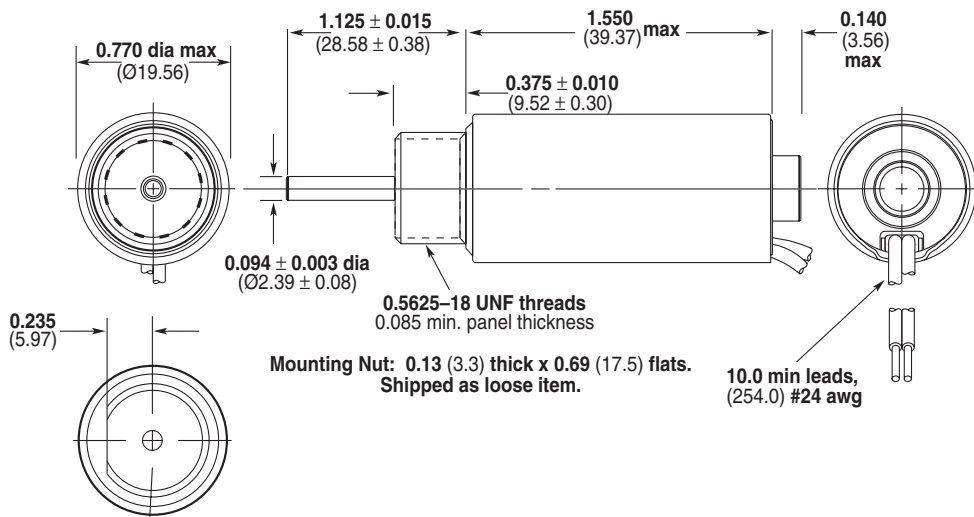
Ledex® Tubular Solenoids Dimensions

Inches (mm)

STA® Series Pull — 3/4" Dia. x 1-1/2"



STA® Series Push — 3/4" Dia. x 1-1/2"



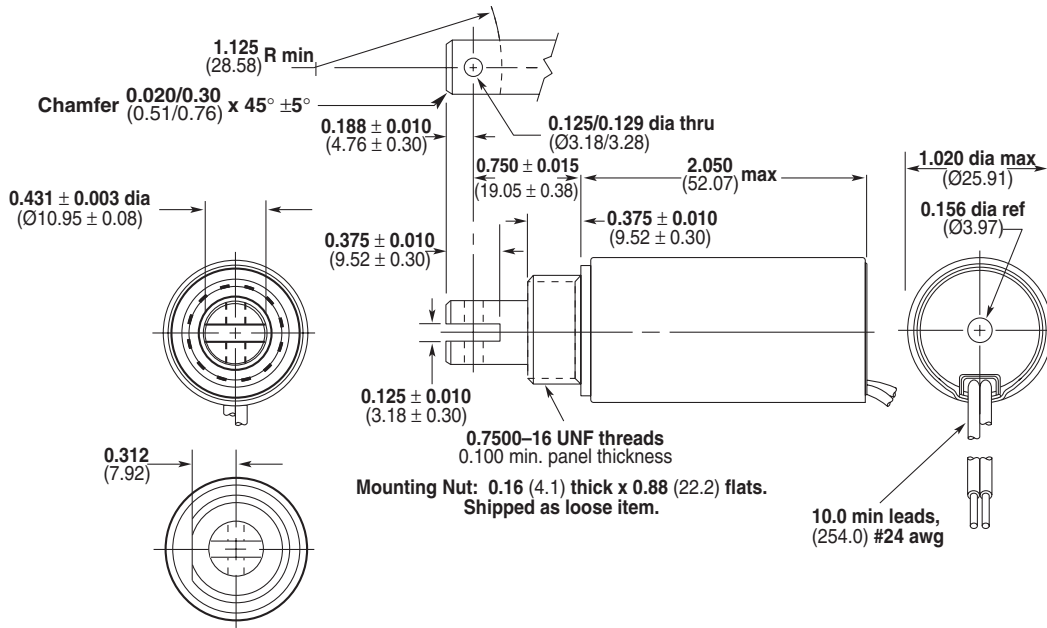
All solenoids are illustrated in energized state

All specifications subject to change without notice.

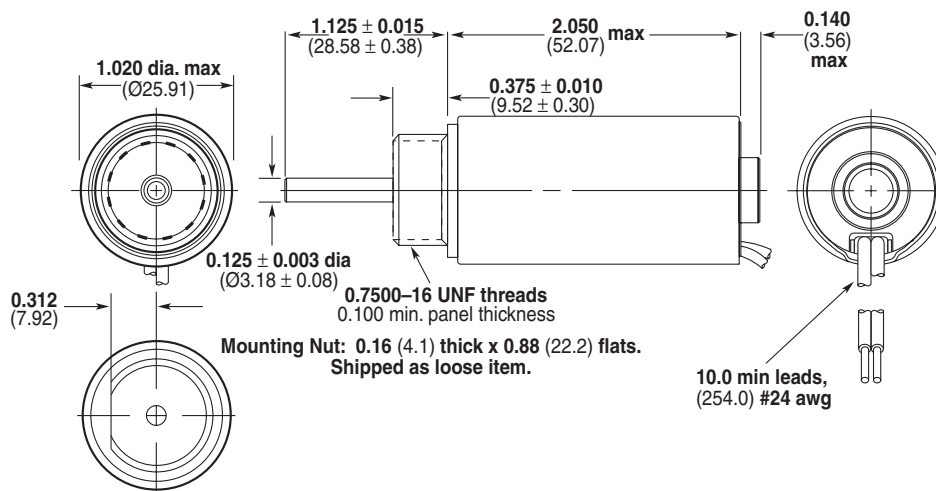
Ledex® Tubular Solenoids Dimensions

Inches (mm)

STA® Series Pull — 1" Dia. x 2"



STA® Series Push — 1" Dia. x 2"



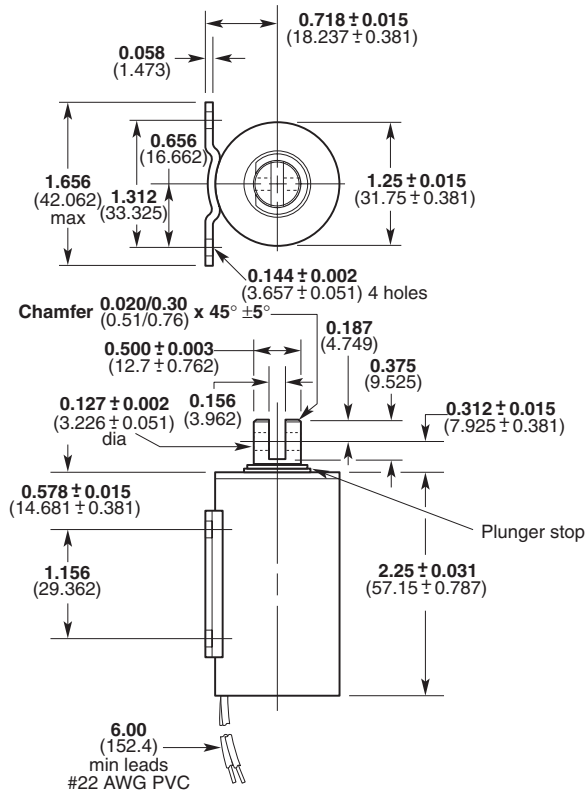
All solenoids are illustrated in energized state

All specifications subject to change without notice.

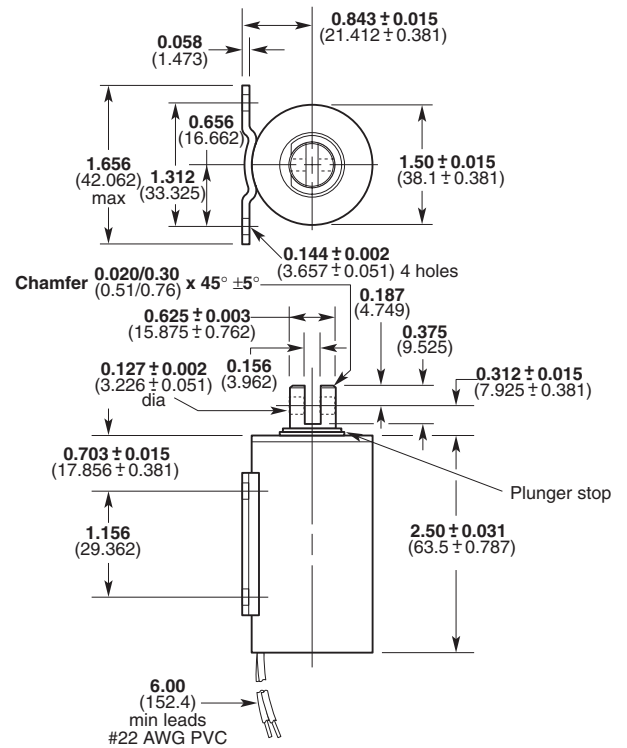
Ledex® Tubular Solenoids Dimensions

Inches (mm)

Ledex® Size 125 Pull — 1-1/4" Dia. x 2-1/4"



Ledex® Size 150 Pull — 1-1/2" Dia. x 2-1/2"



LINEAR Tubular

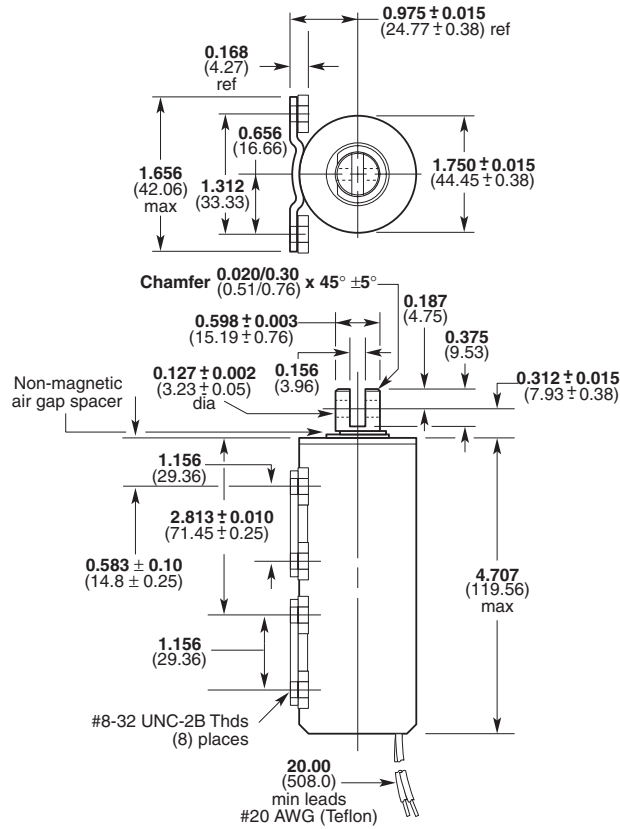
All solenoids are illustrated in energized state

All specifications subject to change without notice.

Ledex® Tubular Solenoids Dimensions

Inches (mm)

Ledex® Size 175 Pull — 1-3/4" Dia. x 4-3/4"

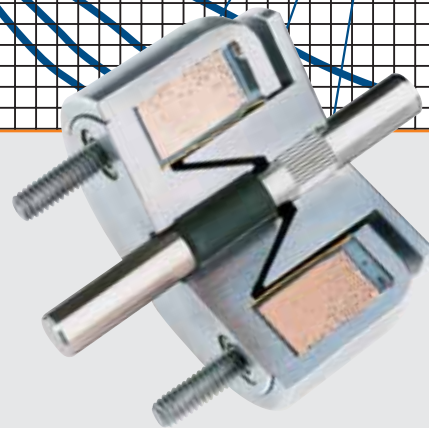
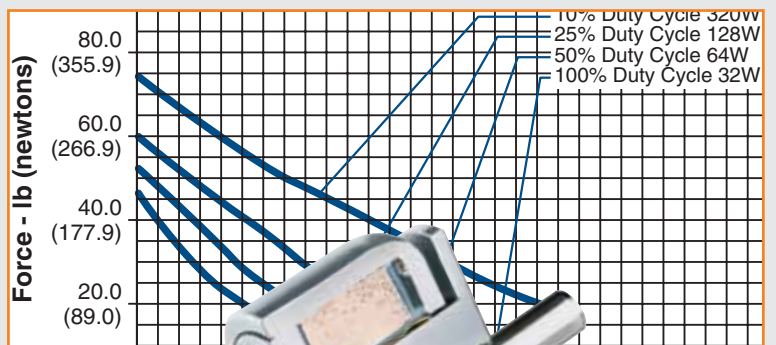


LINEAR Tubular

All solenoids are illustrated in energized state

All specifications subject to change without notice.

Ledex® Low Profile Linear Solenoids



Ledex® Low Profile Solenoids

LINEAR Low Profile



- Linear actuation
- Space-saving, low-profile configuration
- Ideal for high force, short stroke applications
- Forces to 190 lbs.
- Stroke lengths to 0.7 inches



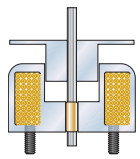
All catalog products manufactured after April 1, 2006 are RoHS Compliant

The low profile shape, besides contributing to smaller size, optimizes the magnetic flux paths for maximum force versus stroke characteristics. The construction of the plunger assembly provides an auxiliary flux path which permits a significant increase in force. The low profile solenoid construction not only provides long life, but also provides a rugged design for both military and commercial applications.

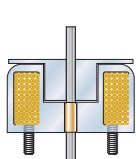
Conical Face vs. Flat Face Plunger Design

Conical-faced designs extend the useful range of a solenoid to provide higher forces for strokes typically over 0.060 inches. The pole surface area is greater and the distance between the tapered cone faces is approximately one-half that of the gap between the land faces (for 30° angles), providing the effect of a closer air gap.

Flat Face: Higher efficiency for shorter strokes

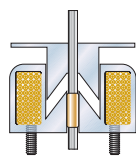


De-Energized

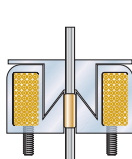


Energized

Conical Face: Higher force for longer strokes



De-Energized



Energized

While some of the force component is lost because the force vector is not parallel with the plunger motion, the shorter gap and higher flux density combine to provide more output force for longer strokes.

For shorter strokes, the magnetic flux density increases and causes the iron to saturate rapidly as the poles move closer, thus reducing the efficiency of the conical-faced design. At this point, the flat-faced plunger is more efficient.

The main advantage of the flat-faced pole over the conical is that the full component of force is usable because the force vector is parallel with the pole motion.

Applications

The reliability and high performance of Low Profile solenoids make them an ideal choice for applications in which consistent, reliable operation is critical.

- Pumps
- Machine tools
- Packaging machines
- Cranes
- Instruments
- Flow controls
- Trucks and buses
- Computer peripherals

Ledex® Low Profile Solenoids

Why Low Profile solenoids provide such high force and rapid response.

A key to the efficiency and compact form factor of the low profile solenoid is our special precision coil-winding process. With maximum copper packed into the allowable space, each solenoid develops tremendous force for its size and power input. The low profile form, in addition to contributing to smaller size, permits maximum pole face surface area for the magnetic flux.

Another factor that contributes to high efficiency is the additional iron surface on the external portion of the plunger; it provides an auxiliary flux path and a significant increase in force.

The force is also affected by other interrelated features, such as the length of the iron path, the magnetic saturation properties of the solenoid case and plunger, and the area and shape of the pole pieces.

The enclosed construction of the solenoid not only provides an iron path with minimum losses at the ring gap, but also provides a rugged design for critical environment applications

Performance Curves

The performance curves in this section serve as guides to determine the solenoid size needed to produce a desired force at a given stroke, duty cycle, and power source. All curves were developed under the following standard test conditions: ambient temperature of 20°C, 65% relative humidity.

Starting Force

When determining an application's force requirement, apply a 1.5 safety factor. For example: a load requiring 4.5 lb of force should utilize a solenoid providing 4.5 x 1.5 or 6.75 lb of force.

Duty Cycle

Duty cycle is determined by: ON time/(ON + OFF time).

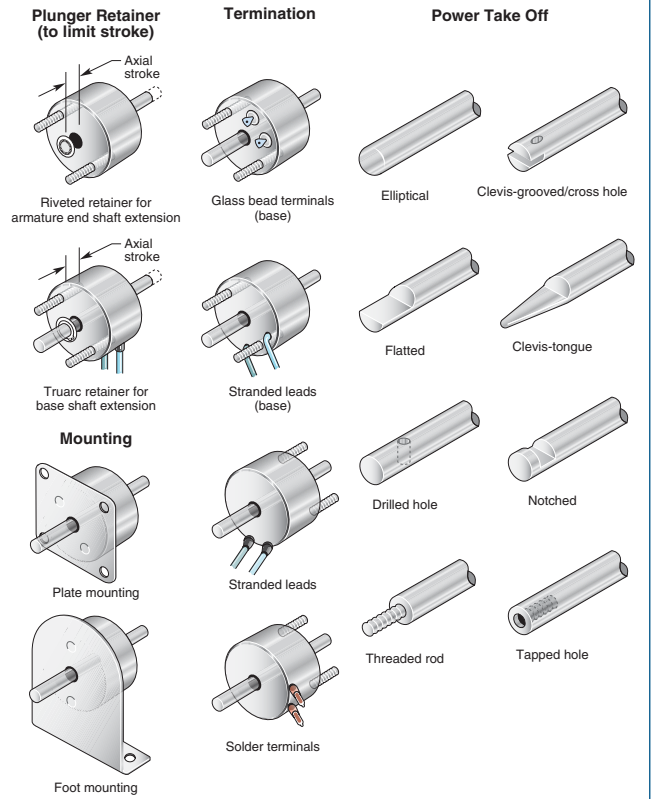
For example: a solenoid is actuated for 30 seconds, then off for 90 seconds.
 $30 \text{ sec ON} / (30 \text{ Sec ON} + 90 \text{ sec OFF}) = 30/120 = 1/4 \text{ or } 25\% \text{ duty cycle.}$

Ledex Low Profile solenoids are rated for various duty cycles ranging from continuous to 10% duty.

Note that maximum ON time for a particular application can be a factor which overrides the duty cycle rating. For example, at 25% duty cycle, the maximum ON time for a given Ledex solenoid is 36 seconds. If, however, the solenoid is operated at a cycle rate which enables the unit to return to ambient temperature between ON cycles, then the maximum ON time is extended somewhat. In the above example, this extended ON time is 44 seconds. Maximum ON time ratings are listed on the individual model specification pages.

Typical Examples of Custom Features

Even though many solenoid designs are in stock, our customers often require a product with unique features or performance capabilities. So, if you don't find what you're looking for in the catalog, give us a call to discuss your needs with one of our application engineers.



Life

When selecting a Low Profile solenoid, as with any other solenoid style, it is important to consider factors that will affect the life of the unit. Heat, side-loading, stroke and operating environment all play an important role in determining the life you can expect in your application.

A simple, yet often overlooked method to improve Low Profile solenoid life is to minimize the side load. Maximum life can be achieved by mounting Low Profile solenoids so that the shaft travels along a vertical plane. Keeping the stroke as short as possible will also improve life.

Power Requirements

Voltage applied to the solenoid must be matched to the coil wire size for proper operation. Solenoids are cataloged in coil awgs ranging from #25 up to #38 to accommodate your input power. Refer to the individual model specification pages for coil wire awg recommendations. Many other coil awg sizes are available. Please feel free to contact our application engineering department for availability.

Ledex® Low Profile Selection

Low Profile solenoids are available in nine sizes. Use the selection chart to determine which size offers the desired performance and mechanical specifications. Refer to the individual size specification pages for complete performance and mechanical data.

All catalog products manufactured after April 1, 2006 are RoHS Compliant

Low Profile Selection Overview

Size*	Package Dimensions		Max Stroke (in)	Nominal Stroke (in)	Force (lbs) @ Nominal Stroke at Specified Duty Cycle @ 20°C			
	Dia.	Length			100%	50%	25%	10%
0EC ●	0.750	0.500	0.150	0.060	0.19	0.44	0.94	2.06
1EC ●	1.000	0.530	0.240	0.080	0.25	0.50	1.25	3.20
2EF	1.125	0.580	0.075	0.030	2.00	3.50	7.00	13.50
2EC ●	1.125	0.580	0.240	0.100	0.25	1.00	2.00	3.75
3EF	1.312	0.690	0.075	0.040	2.50	5.00	11.00	20.00
3EC	1.312	0.690	0.300	0.120	0.80	2.00	3.80	5.60
4EF	1.562	0.835	0.120	0.060	3.00	6.50	12.00	25.00
4EC	1.562	0.835	0.250	0.150	1.00	2.25	5.50	11.50
5SF	1.875	0.880	0.140	0.080	3.00	9.50	17.00	39.00
5EC	1.875	1.035	0.400	0.200	2.50	5.00	10.00	21.00
6SF	2.250	1.145	0.180	0.080	10.00	20.00	40.00	80.00
6EC	2.250	1.330	0.400	0.200	6.00	13.00	24.00	43.00
7EC	2.750	1.780	0.700	0.300	9.00	18.00	33.00	54.00
8EC	3.375	2.165	0.700	0.300	27.00	52.00	90.00	145.00

● Well-suited for battery operation.



See the "Battery Operated Solenoids" section for complete information.

All data is at 20°C coil temperature. Force outputs degrade with elevated temperatures.

* EC sizes have conical face plungers, EF and SF sizes have flat face plungers.

LINEAR Low Profile

How to Use Low Profile Performance Charts

- Select one of the four columns which provides the appropriate duty cycle. (For example 50%.)
- Reading down this column provides a variety of performance and electrical data including maximum on time, watts, and amp turns.
- Following down the column further into the VDC ratings, select the voltage which most closely matches your supply voltage. (For example, 8.9 for a 9 VDC power supply.)
- Read across (to the left) to select the awg suffix to complete the part number when ordering. (In this example using our 0EC chart, 32 awg is required, thus to order, specify: 174534-032.)

Performance

	100%	50%	25%	10%
Maximum Duty Cycle	∞	100	36	7
Maximum ON Time (sec) when pulsed continuously	∞	162	44	8
Maximum ON Time (sec) for single pulse	4.5	9	18	45
Watts (@ 20°C)	28.5	403	570	901

Coil Data

avg (0XX)	Resistance (@20°C)	# Turns	VDC (Nom)	VDC (Nom)	VDC (Nom)	VDC (Nom)
26	0.50	90	1.6	2.3	3.2	5.1
27	0.97	136	2.0	2.8	3.9	6.3
28	1.33	152	2.6	3.7	5.1	8.1
29	2.40	215	3.2	4.4	6.2	9.9
30	3.29	240	4.1	5.7	8.0	12.7
31	5.61	324	5.0	7.1	9.9	15.8
32	9.09	420	6.3	8.9	12.4	19.7
33	14.95	544	8.0	11.3	15.7	25.0
34	24.06	684	10.2	14.4	20.0	32.0
35	37.10	840	12.8	18.1	25.0	40.0
36	58.51	1056	16.1	23.0	32.0	50.0
37	78.70	1109	19.8	28.0	39.0	62.0
38	123.00	1370	25.0	35.0	49.0	78.0

Force values for reference only.

All specifications subject to change without notice.

Ledex® Low Profile Size OEC — Push or Pull

Medium Stroke, Conical Face

Part Number: 174534-0XX

All catalog products manufactured after April 1, 2006 are RoHS Compliant

Performance

Maximum Duty Cycle	100%	50%	25%	10%
Maximum ON Time (sec) when pulsed continuously ¹	∞	100	36	7
Maximum ON Time (sec) for single pulse ²	∞	162	44	8
Watts (@ 20°C)	4.5	9	18	45
Ampere Turns (@ 20°C)	285	403	570	901

Coil Data

awg (0XX) ³	Resistance (@20°C)	# Turns ⁴	VDC (Nom)	VDC (Nom)	VDC (Nom)	VDC (Nom)
26	0.50	90	1.6	2.3	3.2	5.1
27	0.97	136	2.0	2.8	3.9	6.3
28	1.33	152	2.6	3.7	5.1	8.1
29	2.40	215	3.2	4.4	6.2	9.9
30	3.29	240	4.1	5.7	8.0	12.7
31	5.61	324	5.0	7.1	9.9	15.8
32	9.09	420	6.3	8.9	12.4	19.7
33	14.95	544	8.0	11.3	15.7	25.0
34	24.06	684	10.2	14.4	20.0	32.0
35	37.10	840	12.8	18.1	25.0	40.0
36	58.51	1056	16.1	23.0	32.0	50.0
37	78.70	1109	19.8	28.0	39.0	62.0
38	123.00	1370	25.0	35.0	49.0	78.0

- ¹ Continuously pulsed at stated watts and duty cycle
- ² Single pulse at stated watts (with coil at ambient room temperature 20°C)
- ³ Other coil awg sizes available — please consult factory
- ⁴ Reference number of turns

Specifications

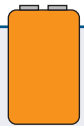
Dielectric Strength	1000 VRMS
Recommended Minimum Heat Sink	Maximum watts dissipated by solenoid are based on an unrestricted flow of air at 20°C, with solenoid mounted on the equivalent of an aluminum plate measuring 2" square by 1/8" thick
Coil Resistance Weight	±10% tolerance on all coil awg sizes 0.875 oz (24.8 gms)
Holding Force	1.7 lb (7.6 N) @ 105°C
Dimensions	Ø0.750" x 0.500" L (See page G16)

How to Order

Add the coil awg number (0XX) to the part number (for example: to order a 25% duty cycle unit rated at 3.2 VDC, specify 174534-026).

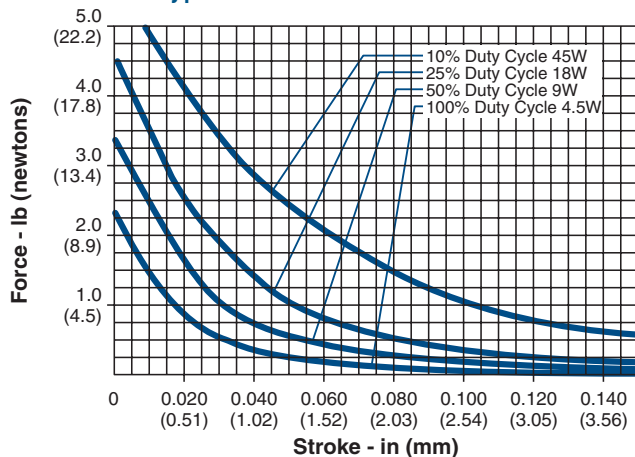
Please see www.ledex.com (click on Stock Products tab) for our list of stock products available through our North American distributors.

- Well-suited for battery operation. See the "Battery Operated Solenoids" section for complete information.

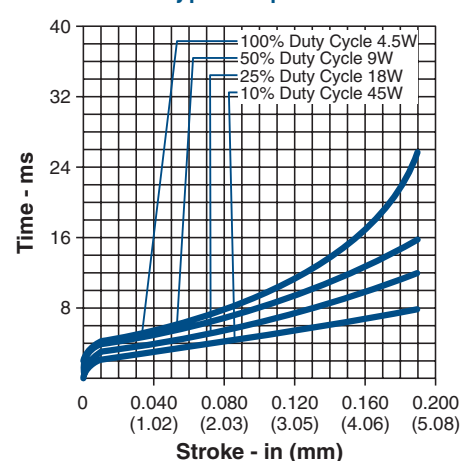


LINEAR Low Profile

Size OEC — Typical Force @ 20°C



Size OEC — Typical Speed @ No Load, 20°C



Force values for reference only.

All specifications subject to change without notice.

Ledex® Low Profile Size 1EC — Push or Pull

Size 1EC Medium Stroke, Conical Face
Part Number: 123421-0XX

All catalog products manufactured after
April 1, 2006 are RoHS Compliant

Performance

Maximum Duty Cycle	100%	50%	25%	10%
Maximum ON Time (sec) when pulsed continuously ¹	∞	100	36	7
Maximum ON Time (sec) for single pulse ²	∞	162	44	8
Watts (@ 20°C)	5	10	20	50
Ampere Turns (@ 20°C)	340	480	680	1075

Coil Data

avg (0XX) ³	Resistance (@20°C)	# Turns ⁴	VDC (Nom)	VDC (Nom)	VDC (Nom)	VDC (Nom)
25	0.83	140	2.1	2.9	4.1	6.5
26	1.38	186	2.6	3.7	5.2	8.2
27	1.91	210	3.2	4.5	6.3	10.1
28	3.17	273	4.1	5.7	8.1	12.8
29	5.17	352	5.1	7.2	10.2	16.2
30	8.25	441	6.5	9.2	13.0	21.0
31	12.95	550	8.2	11.6	16.4	26.0
32	20.71	682	10.6	14.9	21.0	34.0
33	30.60	828	12.7	18.2	26.0	41.0
34	50.95	1078	16.5	23.0	33.0	52.0
35	83.92	1392	21.0	30.0	42.0	67.0
36	112.00	1500	26.0	37.0	52.0	83.0

- Continuously pulsed at stated watts and duty cycle
- Single pulse at stated watts (with coil at ambient room temperature 20°C)
- Other coil avg sizes available — please consult factory
- Reference number of turns

Specifications

Dielectric Strength	1000 VRMS
Recommended Minimum Heat Sink	Maximum watts dissipated by solenoid are based on an unrestricted flow of air at 20°C, with solenoid mounted on the equivalent of an aluminum plate measuring 3" square by 1/8" thick
Coil Resistance	25-35 awg, ±5%; 36 awg, ±10%
Weight	1.50 oz (42.5 gms)
Holding Force	5.4 lb (24.0 N) @ 105°C
Dimensions	Ø1.000" x 0.530" L (See page G16)

How to Order

Add the coil avg number (0XX) to the part number (for example: to order a 25% duty cycle unit rated at 6.5 VDC, specify 124910-027).

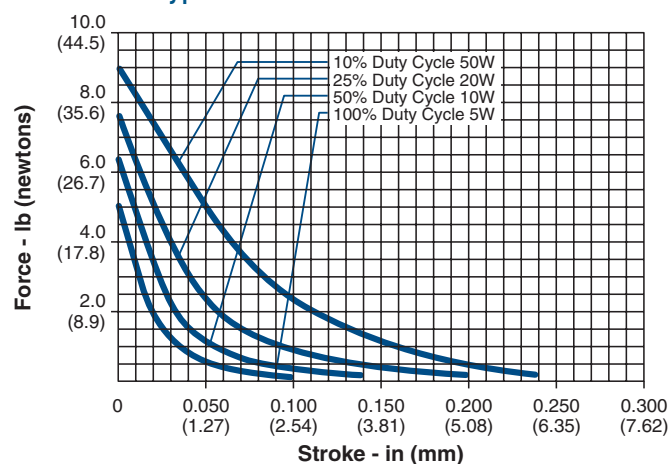
Please see www.ledex.com (click on Stock Products tab) for our list of stock products available through our North American distributors.

LINEAR Low Profile

- Well-suited for battery operation. See the "Battery Operated Solenoids" section for complete information.

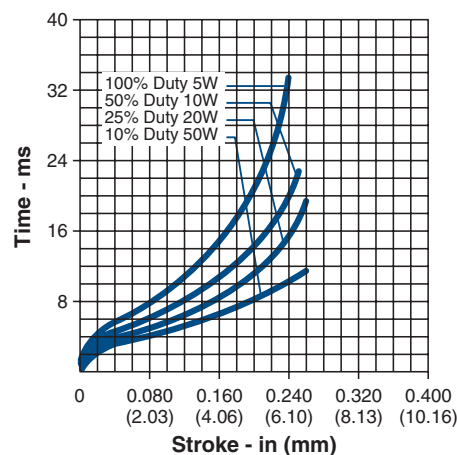


Size 1EC — Typical Force @ 20°C



Force values for reference only.

Size 1EC— Typical Speed @ No Load, 20°C



All specifications subject to change without notice.

Ledex® Low Profile Size 2EF/2EC — Push or Pull

Size 2EF Short Stroke, Flat Face

Part Number: 124911-0XX

Size 2EC • Medium Stroke, Conical Face

Part Number: 123422-0XX

All catalog products manufactured after April 1, 2006 are RoHS Compliant

Performance

Maximum Duty Cycle	100%	50%	25%	10%
Maximum ON Time (sec) when pulsed continuously ¹	∞	100	36	7
Maximum ON Time (sec) for single pulse ²	∞	162	44	8
Watts (@ 20°C)	7	14	28	70
Ampere Turns (@ 20°C)	425	602	849	1350

Coil Data

awg (0XX) ³	Resistance (@20°C)	# Turns ⁴	VDC (Nom)	VDC (Nom)	VDC (Nom)	VDC (Nom)
24	0.68	130	2.2	3.2	4.5	7.1
25	1.16	174	2.8	4.0	5.7	9.0
26	1.96	231	3.6	5.1	7.2	11.5
27	3.16	296	4.5	6.4	9.0	14.4
28	5.10	378	5.7	8.1	11.5	18.2
29	6.94	423	7.0	9.9	13.9	22.0
30	11.03	530	8.8	12.5	17.7	28.0
31	16.85	649	11.0	15.6	22.0	35.0
32	28.15	858	13.9	19.8	28.0	44.0
33	42.75	1036	17.5	25.0	35.0	56.0

- ¹ Continuously pulsed at stated watts and duty cycle
- ² Single pulse at stated watts (with coil at ambient room temperature 20°C)
- ³ Other coil awg sizes available — please consult factory
- ⁴ Reference number of turns

• Well-suited for battery operation. See the "Battery Operated Solenoids" section for complete information.



Specifications

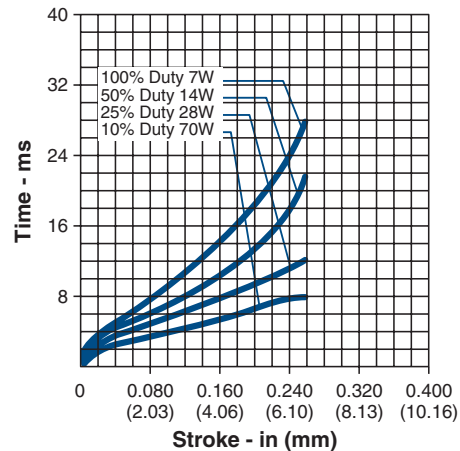
Dielectric Strength	1000 VRMS
Recommended Minimum Heat Sink	Maximum watts dissipated by solenoid are based on an unrestricted flow of air at 20°C, with solenoid mounted on the equivalent of an aluminum plate measuring 3 ³ / ₈ " square by 1 ¹ / ₈ " thick
Coil Resistance	24-33 awg, ±5%
Weight	2.25 oz (63.8 gms)
Holding Force 2EF	12.0 lb (53.4 N) @ 105°C
Holding Force 2EC	5.7 lb (25.4 N) @ 105°C
Dimensions	Ø1.125" x 0.580" L (See page G16)

How to Order

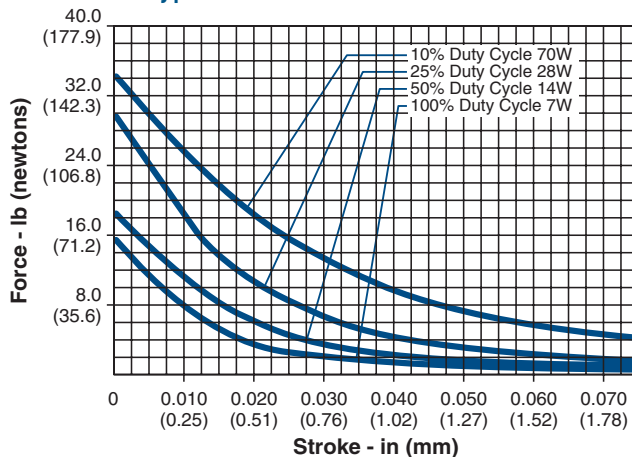
Add the coil awg number (0XX) to the part number (for example: to order a 25% duty cycle unit rated at 9.0 VDC, specify 124911-027).

Please see www.ledex.com (click on Stock Products tab) for our list of stock products available through our North American distributors.

Size 2EF and 2EC – Typical Speed @ No Load, 20°C

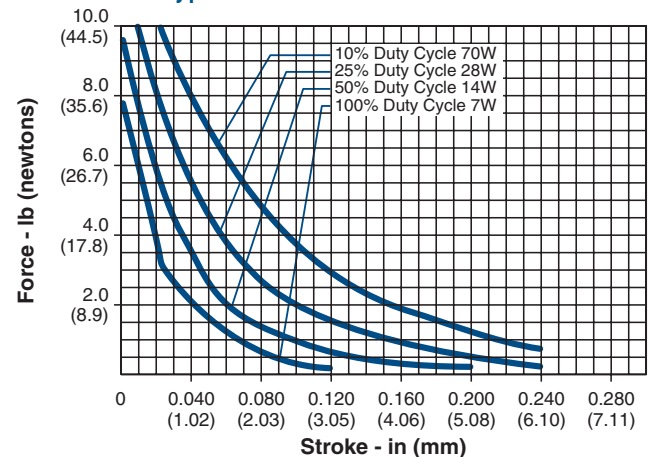


Size 2EF— Typical Force @ 20°C



Force values for reference only.

Size 2EC — Typical Force @ 20°C



All specifications subject to change without notice.

Ledex® Low Profile Size 3EF/3EC — Push or Pull

Size 3EF Short Stroke, Flat Face

Part Number: 124912-0XX

Size 3EC Medium Stroke, Conical Face

Part Number: 123423-0XX

Performance

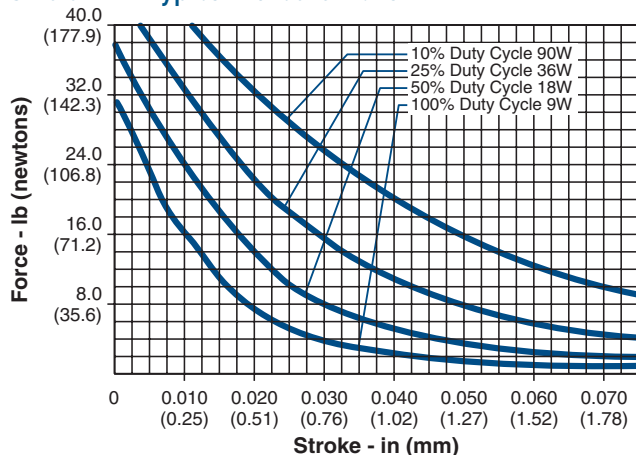
Maximum Duty Cycle	100%	50%	25%	10%
Maximum ON Time (sec) when pulsed continuously ¹	∞	100	36	8
Maximum ON Time (sec) for single pulse ²	∞	162	44	9
Watts (@ 20°C)	9	18	36	90
Ampere Turns (@ 20°C)	535	756	1070	1690

Coil Data

awg (0XX) ³	Resistance (@20°C)	# Turns ⁴	VDC (Nom)	VDC (Nom)	VDC (Nom)	VDC (Nom)
23	0.70	145	2.6	3.7	5.2	8.2
24	1.18	192	3.3	4.6	6.6	10.4
25	1.97	252	4.2	5.9	8.4	13.2
26	3.26	328	5.3	7.5	10.6	16.8
27	5.04	405	6.7	9.4	13.3	21.0
28	8.02	510	8.4	11.9	16.8	27.0
29	12.21	627	10.4	14.7	21.0	33.0
30	19.20	780	13.2	18.6	26.0	42.0
31	31.84	1008	16.9	24.0	34.0	53.0
32	46.97	1215	21.0	29.0	41.0	65.0
33	75.30	1530	26.0	37.0	53.0	83.0

- Continuously pulsed at stated watts and duty cycle
- Single pulse at stated watts (with coil at ambient room temperature 20°C)
- Other coil awg sizes available — please consult factory
- Reference number of turns

Size 3EF— Typical Force @ 20°C



Force values for reference only.

Specifications

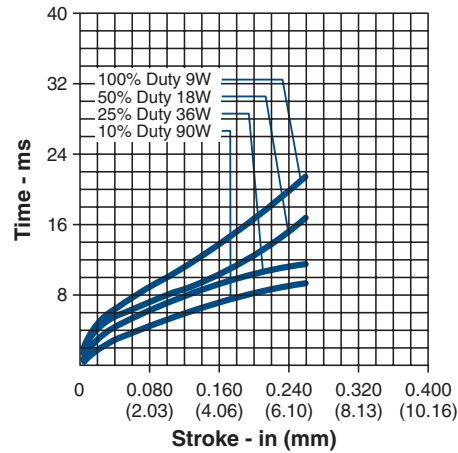
Dielectric Strength	23-27 awg, 1000 VRMS ; 28-33 awg, 1200 VRMS
Recommended Minimum Heat Sink	Maximum watts dissipated by solenoid are based on an unrestricted flow of air at 20°C, with solenoid mounted on the equivalent of an aluminum plate measuring 4 ⁵ / ₈ " square by 1/8" thick
Coil Resistance	23-33 awg, ±5%
Weight	3.75 oz (106.3 gms)
Holding Force 3EF	26.0 lb (115.6 N) @ 105°C
Holding Force 3EC	12.0 lb (53.4 N) @ 105°C
Dimensions	Ø1.312" x 0.690" L (See page G16)

How to Order

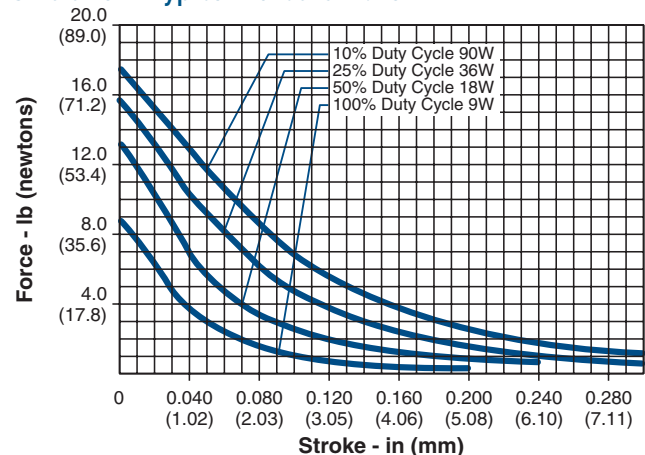
Add the coil awg number (0XX) to the part number (for example: to order a 25% duty cycle unit rated at 13.3 VDC, specify 124912-027).

Please see www.ledex.com (click on Stock Products tab) for our list of stock products available through our North American distributors.

Size 3EF and 3EC – Typical Speed @ No Load, 20°C



Size 3EC— Typical Force @ 20°C



All specifications subject to change without notice.

Ledex® Low Profile Size 4EF/4EC — Push or Pull

Size 4EF Short Stroke, Flat Face

Part Number: 129440-0XX

Size 4EC Medium Stroke, Conical Face

Part Number: 129409-0XX

All catalog products manufactured after April 1, 2006 are RoHS Compliant

Performance

Maximum Duty Cycle	100%	50%	25%	10%
Maximum ON Time (sec) when pulsed continuously ¹	∞	100	36	9
Maximum ON Time (sec) for single pulse ²	∞	162	44	10
Watts (@ 20°C)	12.5	25	50	125
Ampere Turns (@ 20°C)	714	1000	1425	2250

Coil Data

awg (0XX) ³	Resistance (@20°C)	# Turns ⁴	VDC (Nom)	VDC (Nom)	VDC (Nom)	VDC (Nom)
23	1.59	266	4.3	6.0	8.5	13.4
24	2.20	301	5.2	7.3	10.4	16.4
25	3.54	384	6.6	9.2	13.1	21.0
26	5.67	486	8.3	11.7	16.6	26.0
27	8.76	600	10.4	14.6	21.0	33.0
28	13.80	748	13.2	18.5	26.0	42.0
29	22.60	975	16.6	23.0	33.0	52.0
30	34.80	1190	21.0	29.0	42.0	66.0
31	56.70	1520	27.0	37.0	53.0	84.0
32	88.30	1908	33.0	46.0	66.0	104.0
33	138.00	2360	42.0	59.0	83.0	132.0

- Continuously pulsed at stated watts and duty cycle
- Single pulse at stated watts (with coil at ambient room temperature 20°C)
- Other coil awg sizes available — please consult factory
- Reference number of turns

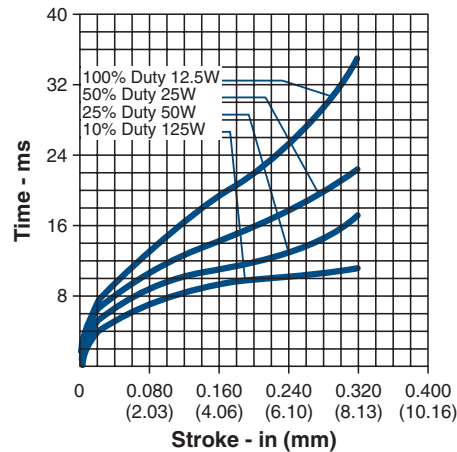
Specifications

Dielectric Strength	23-24 awg, 1000 VRMS ; 25-33 awg, 1200 VRMS
Recommended Minimum Heat Sink	Maximum watts dissipated by solenoid are based on an unrestricted flow of air at 20°C, with solenoid mounted on the equivalent of an aluminum plate measuring 6 1/4" square by 1/8" thick
Coil Resistance	23-33 awg, ±5%
Weight	6.0 oz (170 gms)
Holding Force 4EF	37.0 lb (164.6 N) @ 105°C
Holding Force 4EC	16.0 lb (71.2 N) @ 105°C
Dimensions	Ø1.562" x 0.835" L (See page G17)

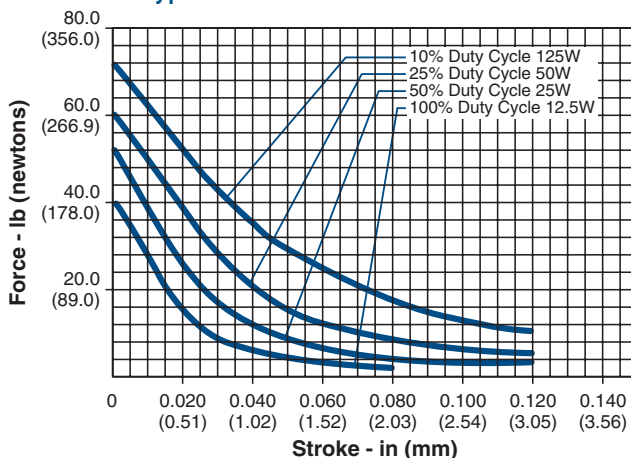
How to Order

Add the coil awg number (0XX) to the part number (for example: to order a 25% duty cycle unit rated at 21 VDC, specify 129440-027). Please see www.ledex.com (click on Stock Products tab) for our list of stock products available through our North American distributors.

Size 4EF and 4EC—Typical Speed @ No Load, 20°C

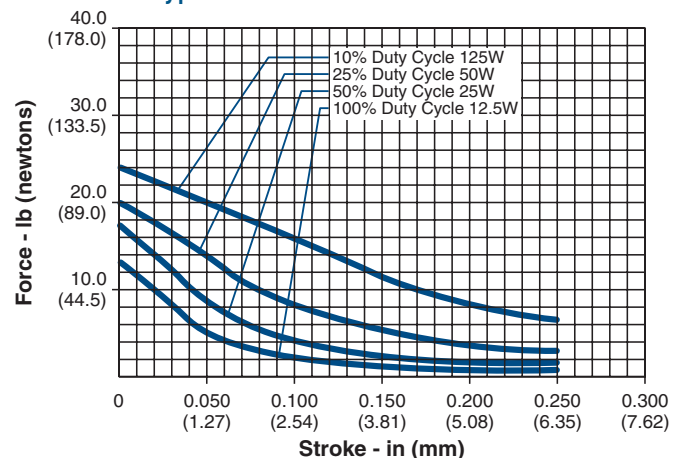


Size 4EF—Typical Force @ 20°C



Force values for reference only.

Size 4EC—Typical Force @ 20°C



All specifications subject to change without notice.

LINEAR Low Profile

Ledex® Low Profile Size 5SF — Push or Pull

Short Stroke, Flat Face
Part Number: 129450-0XX

All catalog products manufactured after
April 1, 2006 are RoHS Compliant

Performance

Maximum Duty Cycle	100%	50%	25%	10%
Maximum ON Time (sec) when pulsed continuously ¹	∞	100	36	10
Maximum ON Time (sec) for single pulse ²	∞	160	44	13
Watts (@ 20°C)	21	42	84	210
Ampere Turns (@ 20°C)	860	1220	1720	2730

Coil Data

awg (0XX) ³	Resistance (@20°C)	# Turns ⁴	VDC (Nom)	VDC (Nom)	VDC (Nom)	VDC (Nom)
23	2.03	288	6.1	8.6	12.1	19.2
24	3.20	360	7.6	10.8	15.3	24.0
25	4.91	440	9.6	13.6	19.2	31.0
26	7.72	550	12.1	17.1	24.0	38.0
27	11.12	636	15.0	21.0	30.0	48.0
28	18.79	840	19.2	27.0	39.0	61.0
29	30.48	1088	24.0	34.0	48.0	77.0
30	44.86	1275	30.0	43.0	61.0	96.0
31	70.90	1596	38.0	54.0	76.0	121.0
32	109.00	1974	47.0	67.0	95.0	150.0
33	175.00	2496	60.0	86.0	121.0	192.0

- ¹ Continuously pulsed at stated watts and duty cycle
- ² Single pulse at stated watts (with coil at ambient room temperature 20°C)
- ³ Other coil awg sizes available — please consult factory
- ⁴ Reference number of turns

Specifications

Dielectric Strength	23 awg, 1000 VRMS ; 24-33 awg, 1200 VRMS
Recommended Minimum Heat Sink	Maximum watts dissipated by solenoid are based on an unrestricted flow of air at 20°C, with solenoid mounted on the equivalent of an aluminum plate measuring 7½" square by ⅛" thick
Coil Resistance	23-33 awg, ±5%
Weight	9.0 oz (255 gms)
Holding Force	58.0 lb (258.0 N) @ 105°C
Dimensions	Ø1.875" x 0.880" L (See page G17)

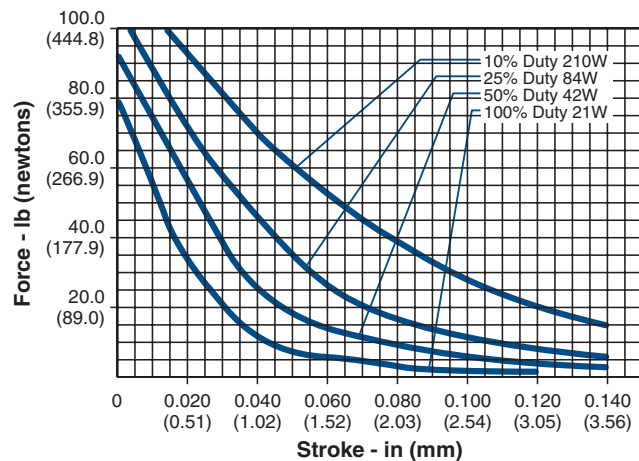
How to Order

Add the coil awg number (0XX) to the part number (for example: to order a 25% duty cycle unit rated at 30 VDC, specify 129450-027).

Please see www.ledex.com (click on Stock Products tab) for our list of stock products available through our North American distributors.

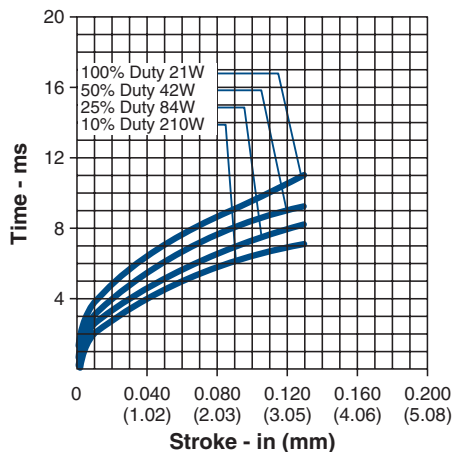
LINEAR Low Profile

Size 5SF— Typical Force @ 20°C



Force values for reference only.

Size 5SF— Typical Speed @ No Load, 20°C



All specifications subject to change without notice.

Ledex® Low Profile Size 5EC — Push or Pull

Medium Stroke, Conical Face

Part Number: 129415-0XX

All catalog products manufactured after April 1, 2006 are RoHS Compliant

Performance

Maximum Duty Cycle	100%	50%	25%	10%
Maximum ON Time (sec) when pulsed continuously ¹	∞	100	36	10
Maximum ON Time (sec) for single pulse ²	∞	160	44	13
Watts (@ 20°C)	21	42	84	210
Ampere Turns (@ 20°C)	1015	1440	2030	3210

Coil Data						
awg (0XX) ³	Resistance (@20°C)	# Turns ⁴	VDC (Nom)	VDC (Nom)	VDC (Nom)	VDC (Nom)
23	2.70	384	7.2	10.1	14.3	23.0
24	4.30	486	9.0	12.7	18.0	28.0
25	6.66	590	11.5	16.2	23.0	36.0
26	10.30	737	14.0	20.0	28.0	44.0
27	15.70	900	17.7	25.0	35.0	56.0
28	26.60	1190	23.0	32.0	45.0	72.0
29	38.00	1380	28.0	40.0	56.0	89.0
30	62.10	1768	36.0	51.0	71.0	113.0
31	96.10	2166	45.0	64.0	90.0	143.0
32	157.00	2816	57.0	80.0	113.0	179.0
33	241.00	3432	71.0	101.0	143.0	226.0

- ¹ Continuously pulsed at stated watts and duty cycle
- ² Single pulse at stated watts (with coil at ambient room temperature 20°C)
- ³ Other coil awg sizes available — please consult factory
- ⁴ Reference number of turns

Specifications

Dielectric Strength	23 awg, 1000 VRMS ; 24-33 awg, 1200 VRMS
Recommended Minimum Heat Sink	Maximum watts dissipated by solenoid are based on an unrestricted flow of air at 20°C, with solenoid mounted on the equivalent of an aluminum plate measuring 7½" square by ⅛" thick
Coil Resistance	23-33 awg, ±5%
Weight	11.5 oz (326.0 gms)
Holding Force	27.0 lb (120.1 N) @ 105°C
Dimensions	Ø1.875" x 1.035" L (See page G17)

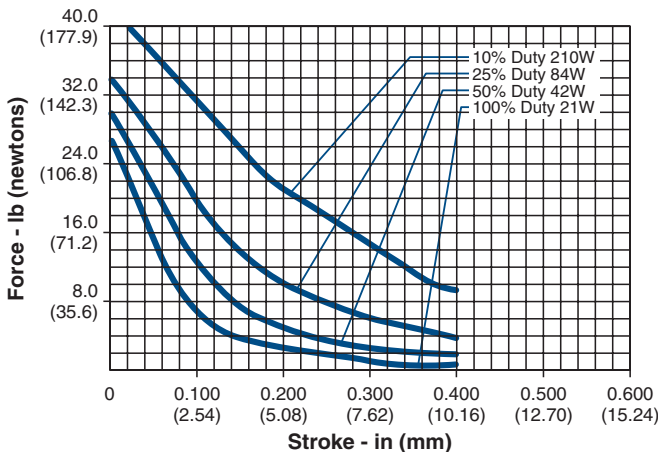
How to Order

Add the coil awg number (0XX) to the part number (for example: to order a 25% duty cycle unit rated at 35 VDC, specify 129415-027).

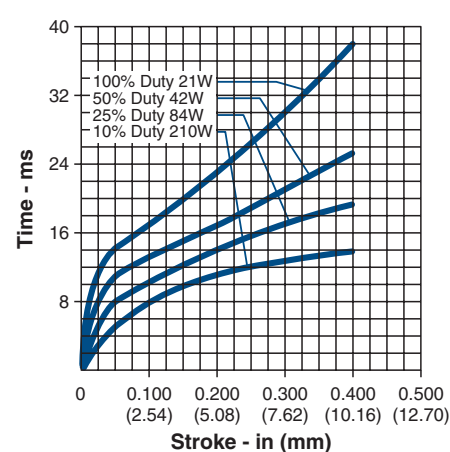
Please see www.ledex.com (click on Stock Products tab) for our list of stock products available through our North American distributors.

LINEAR Low Profile

Size 5EC— Typical Force @ 20°C



Size 5EC— Typical Speed @ No Load, 20°C



Force values for reference only.

All specifications subject to change without notice.

Ledex® Low Profile Size 6SF — Push or Pull

Short Stroke, Flat Face
Part Number: 187789-0XX

All catalog products manufactured after
April 1, 2006 are RoHS Compliant

Performance

Maximum Duty Cycle	100%	50%	25%	10%
Maximum ON Time (sec) when pulsed continuously ¹	∞	87	36	13
Maximum ON Time (sec) for single pulse ²	∞	140	44	16
Watts (@ 20°C)	32	64	128	320
Ampere Turns (@ 20°C)	1240	1760	2490	3920

Coil Data

avg (0XX) ³	Resistance (@20°C)	# Turns ⁴	VDC (Nom)	VDC (Nom)	VDC (Nom)	VDC (Nom)
23	3.59	432	10.3	14.6	21.0	33.0
24	5.24	500	13.0	18.4	26.0	41.0
25	9.51	708	16.7	24.0	33.0	53.0
26	14.44	858	21.0	30.0	42.0	66.0
27	23.69	1110	27.0	38.0	53.0	84.0
28	38.27	1411	34.0	48.0	68.0	106.0
29	54.62	1638	41.0	59.0	83.0	131.0
30	93.67	2184	53.0	76.0	107.0	168.0
31	143.00	2645	67.0	95.0	134.0	211.0
32	223.00	3328	83.0	118.0	167.0	262.0
33	338.00	4004	105.0	149.0	210.0	331.0

- Continuously pulsed at stated watts and duty cycle
- Single pulse at stated watts (with coil at ambient room temperature 20°C)
- Other coil avg sizes available — please consult factory
- Reference number of turns

Specifications

Dielectric Strength	23-31 awg, 1200 VRMS ; 32-33 awg, 1500 VRMS
Recommended Minimum Heat Sink	Maximum watts dissipated by solenoid are based on an unrestricted flow of air at 20°C, with solenoid mounted on the equivalent of an aluminum plate measuring 12 ³ / ₈ " square by 1/ ₈ " thick
Coil Resistance	23-33 awg, ±5%
Weight	1 lb 2 oz (510.3 gms)
Holding Force	88.0 lb (391.4 N) @ 105°C
Dimensions	Ø2.250" x 1.145" L (See page G18)

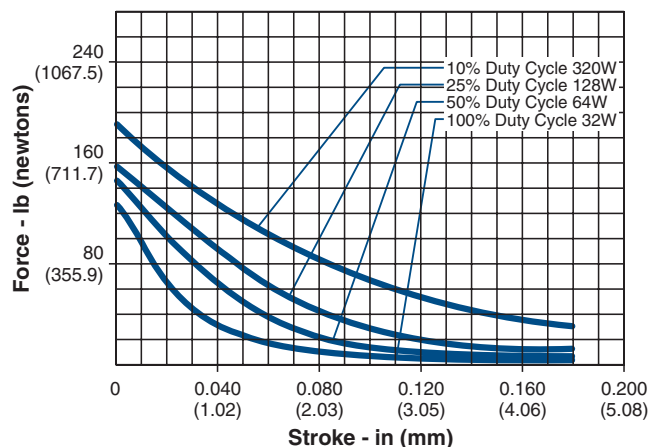
How to Order

Add the coil awg number (0XX) to the part number (for example: to order a 25% duty cycle unit rated at 53 VDC, specify 187789-027).

Please see www.ledex.com (click on Stock Products tab) for our list of stock products available through our North American distributors.

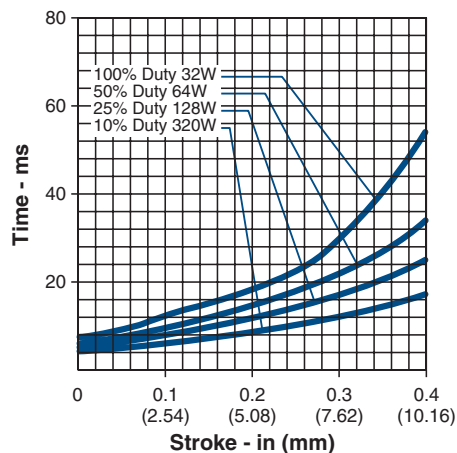
LINEAR Low Profile

Size 6SF— Typical Force @ 20°C



Force values for reference only.

Size 6SF— Typical Speed @ No Load, 20°C



All specifications subject to change without notice.

Ledex® Low Profile Size 6EC — Push or Pull

Medium Stroke, Conical Face

Part Number: 173921-0XX

All catalog products manufactured after April 1, 2006 are RoHS Compliant

Performance

Maximum Duty Cycle	100%	50%	25%	10%
Maximum ON Time (sec) when pulsed continuously ¹	∞	87	36	13
Maximum ON Time (sec) for single pulse ²	∞	140	44	16
Watts (@ 20°C)	32	64	128	320
Ampere Turns (@ 20°C)	1480	2080	2940	4620

Coil Data						
awg (0XX) ³	Resistance (@20°C)	# Turns ⁴	VDC (Nom)	VDC (Nom)	VDC (Nom)	VDC (Nom)
23	4.69	567	12.3	17.2	24.0	38.0
24	7.43	710	15.5	22.0	31.0	48.0
25	12.90	960	19.9	28.0	39.0	62.0
26	19.70	1170	25.0	35.0	49.0	78.0
27	32.00	1500	32.0	44.0	63.0	99.0
28	51.60	1904	40.0	56.0	79.0	125.0
29	74.40	2232	49.0	69.0	98.0	154.0
30	126.00	2940	63.0	89.0	126.0	198.0
31	195.00	3611	80.0	112.0	159.0	250.0
32	288.00	4350	98.0	138.0	195.0	306.0
33	427.00	5010	126.0	177.0	251.0	394.0

- ¹ Continuously pulsed at stated watts and duty cycle
- ² Single pulse at stated watts (with coil at ambient room temperature 20°C)
- ³ Other coil awg sizes available — please consult factory
- ⁴ Reference number of turns

Specifications

Dielectric Strength	23-31 awg, 1200 VRMS ; 32-33 awg, 1500 VRMS
Recommended Minimum Heat Sink	Maximum watts dissipated by solenoid are based on an unrestricted flow of air at 20°C, with solenoid mounted on the equivalent of an aluminum plate measuring 12 ³ / ₈ " square by 1 ¹ / ₈ " thick
Coil Resistance	23-33 awg, ±5%
Weight	1 lb 5.50 oz (609.5 gms)
Holding Force	49.0 lb (218.0 N) @ 105°C
Dimensions	Ø2.250" x 1.330" L (See page G18)

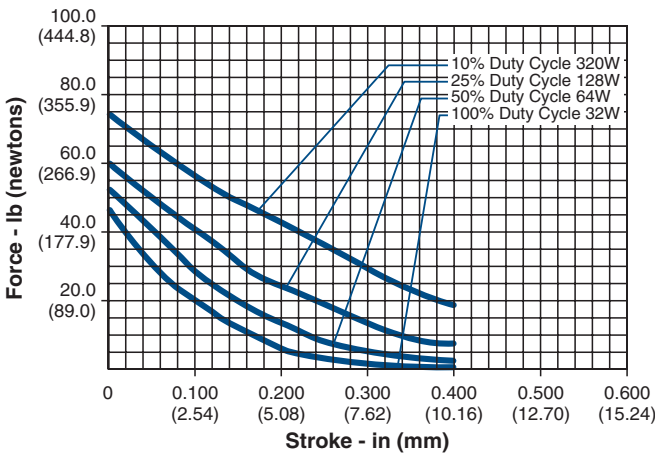
How to Order

Add the coil awg number (0XX) to the part number (for example: to order a 25% duty cycle unit rated at 63 VDC, specify 173921-027).

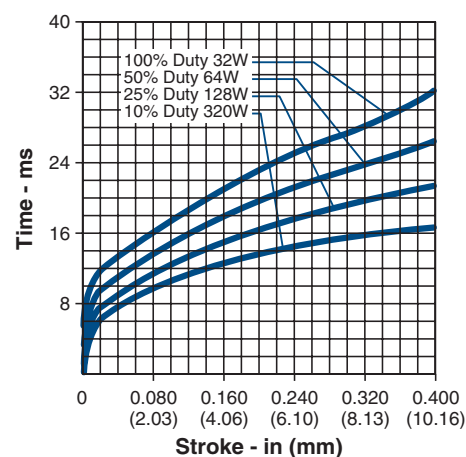
Please see www.ledex.com (click on Stock Products tab) for our list of stock products available through our North American distributors.

LINEAR Low Profile

Size 6EC— Typical Force at 20°C



Size 6EC— Typical Speed @ No Load, 20°C



Force values for reference only.

All specifications subject to change without notice.

Ledex® Low Profile Size 7EC — Push or Pull

Medium Stroke, Conical Face
Part Number: 191357-0XX

All catalog products manufactured after
April 1, 2006 are RoHS Compliant

Performance

Maximum Duty Cycle	100%	50%	25%	10%
Maximum ON Time (sec) when pulsed continuously ¹	∞	80	38	16
Maximum ON Time (sec) for single pulse ²	∞	138	50	18
Watts (@ 20°C)	35	70	140	350
Ampere Turns (@ 20°C)	1805	2555	3610	5710

Coil Data

awg (0XX) ³	Resistance (@20°C)	# Turns ⁴	VDC (Nom)	VDC (Nom)	VDC (Nom)	VDC (Nom)
23	10.80	1044	19.0	27.0	39.0	61.0
24	16.50	1274	24.0	34.0	48.0	76.0
25	27.00	1635	31.0	43.0	61.0	97.0
26	43.80	2091	39.0	55.0	78.0	124.0
27	68.40	2603	49.0	69.0	98.0	155.0
28	108.00	3255	61.0	87.0	123.0	194.0
29	162.00	3933	75.0	106.0	151.0	238.0
30	265.00	5044	96.0	136.0	193.0	305.0
31	385.00	5800	116.0	164.0	232.0	367.0
32	583.00	7230	143.0	202.0	286.0	452.0
33	882.00	8400	176.0	248.0	351.0	600.0

- Continuously pulsed at stated watts and duty cycle
- Single pulse at stated watts (with coil at ambient room temperature 20°C)
- Other coil awg sizes available — please consult factory
- Reference number of turns

Specifications

Dielectric Strength	23-29 awg, 1200 VRMS ; 30-33 awg, 1500 VRMS
Recommended Minimum Heat Sink	Maximum watts dissipated by solenoid are based on an unrestricted flow of air at 20°C, with solenoid mounted on the equivalent of an aluminum plate measuring 15 $\frac{1}{8}$ " square by $\frac{1}{8}$ " thick
Coil Resistance	23-30 awg, $\pm 5\%$; 31-33 awg, $\pm 10\%$
Weight	2.5 lb (1.134 kg)
Holding Force	50.0 lb (222.4 N) @ 105°C
Dimensions	Ø2.750" x 1.780" L (See page G18)

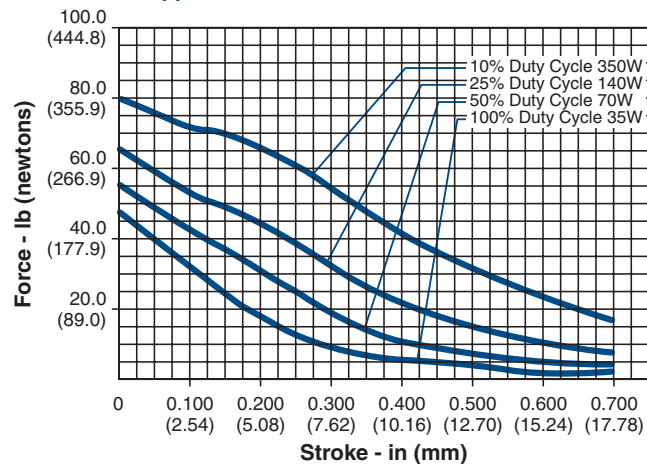
How to Order

Add the coil awg number (0XX) to the part number (for example: to order a 25% duty cycle unit rated at 48 VDC, specify 191357-024).

Please see www.ledex.com (click on Stock Products tab) for our list of stock products available through our North American distributors.

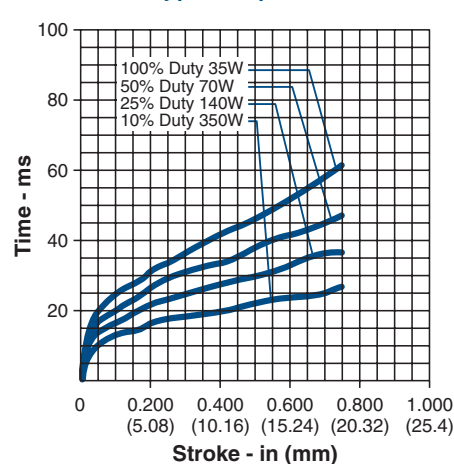
LINEAR Low Profile

Size 7EC— Typical Force @ 20°C



Force values for reference only.

Size 7EC— Typical Speed @ No Load, 20°C



All specifications subject to change without notice.

Ledex® Low Profile Size 8EC — Push or Pull

Medium Stroke, Conical Face
Part Number: 191016-0XX

All catalog products manufactured after
April 1, 2006 are RoHS Compliant

Performance

Maximum Duty Cycle	100%	50%	25%	10%
Maximum ON Time (sec) when pulsed continuously ¹	∞	72	43	20
Maximum ON Time (sec) for single pulse ²	∞	132	56	22
Watts (@ 20°C)	41	82	164	410
Ampere Turns (@ 20°C)	2195	3105	4155	6945

Coil Data

awg (0XX) ³	Resistance (@20°C)	# Turns ⁴	VDC (Nom)	VDC (Nom)	VDC (Nom)	VDC (Nom)
23	19.00	1512	28.0	40.0	56.0	88.0
24	31.20	1952	36.0	51.0	72.0	113.0
25	49.40	2448	45.0	64.0	90.0	142.0
26	78.00	3060	57.0	80.0	113.0	179.0
27	119.00	3740	70.0	99.0	140.0	221.0
28	184.00	4584	87.0	123.0	174.0	275.0
29	301.00	5936	111.0	157.0	222.0	351.0
30	425.00	6750	132.0	187.0	264.0	417.0
31	683.00	8750	167.0	237.0	335.0	529.0
32	1110.00	11000	213.0	302.0	427.0	—
33	1509.00	12050	249.0	352.0	498.0	—

- Continuously pulsed at stated watts and duty cycle
- Single pulse at stated watts (with coil at ambient room temperature 20°C)
- Other coil awg sizes available — please consult factory
- Reference number of turns

Specifications

Dielectric Strength	23-27 awg, 1200 VRMS ; 28-33 awg, 1500 VRMS
Recommended Minimum Heat Sink	Maximum watts dissipated by solenoid are based on an unrestricted flow of air at 20°C, with solenoid mounted on the equivalent of an aluminum plate measuring 20 ¹ / ₄ " square by 1 ¹ / ₈ " thick
Coil Resistance	23-30 awg, ±5%; 31-33 awg, ±10%
Weight	4.9 lb (2.2 kg)
Holding Force	120.0 lb (533.7 N) @ 105°C
Dimensions	Ø3.375" x 2.165" L (See page G18)

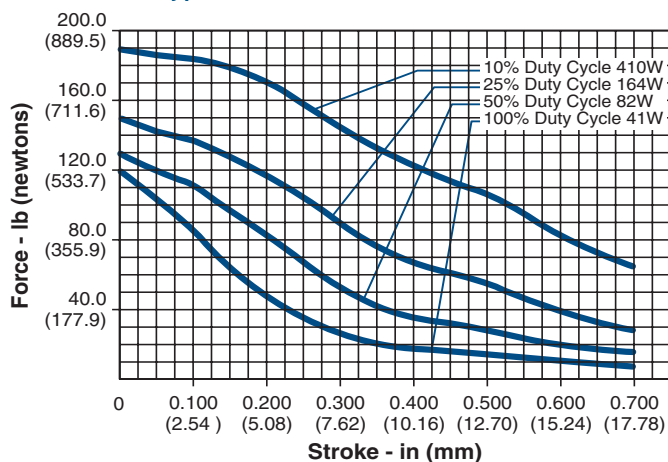
How to Order

Add the coil awg number (0XX) to the part number (for example: to order a 25% duty cycle unit rated at 90 VDC, specify 191016-025).

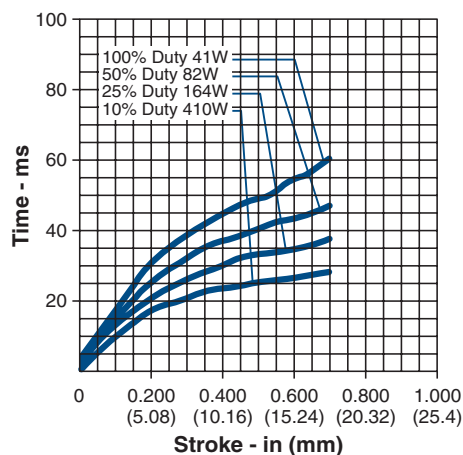
Please see www.ledex.com (click on Stock Products tab) for our list of stock products available through our North American distributors.

LINEAR Low Profile

Size 8EC— Typical Force at 20°C



Size 8EC— Typical Speed @ No Load, 20°C



Force values for reference only.

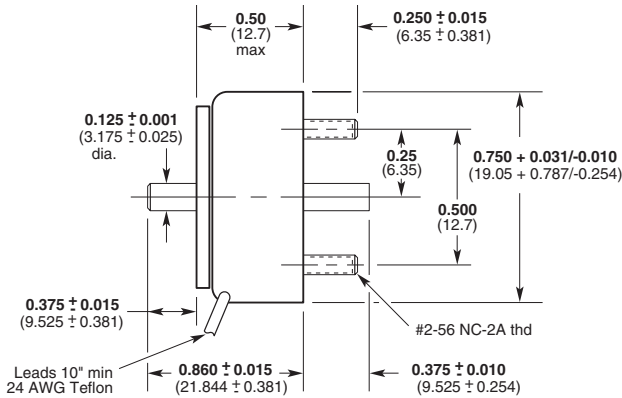
All specifications subject to change without notice.

Ledex® Low Profile Dimensions

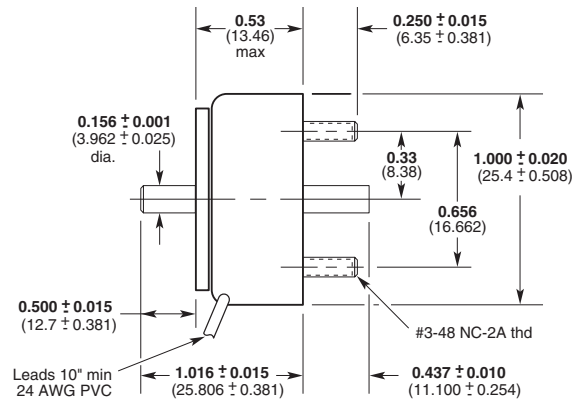
Inches (mm)

All solenoids are illustrated in energized state

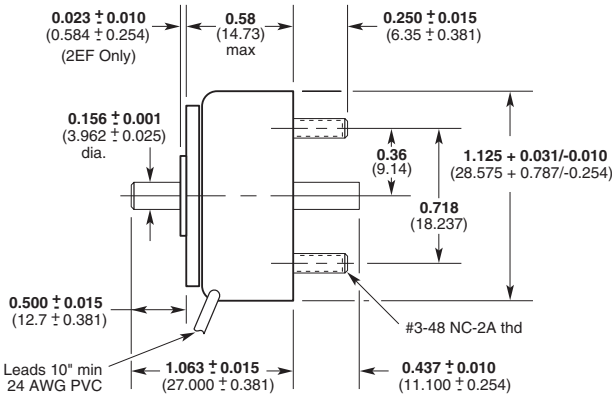
Size OEC



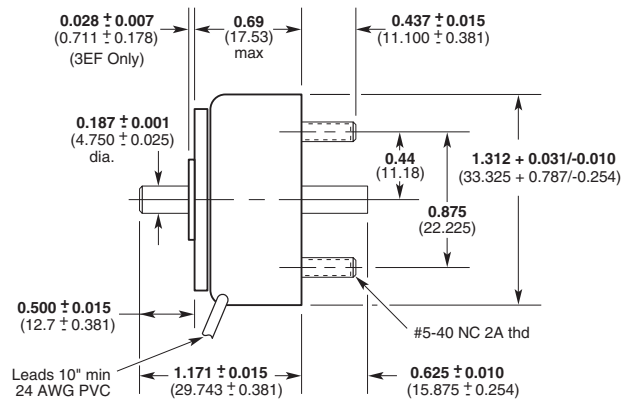
Size 1EC



Size 2EF/2EC



Size 3EF/3EC



LINEAR Low Profile

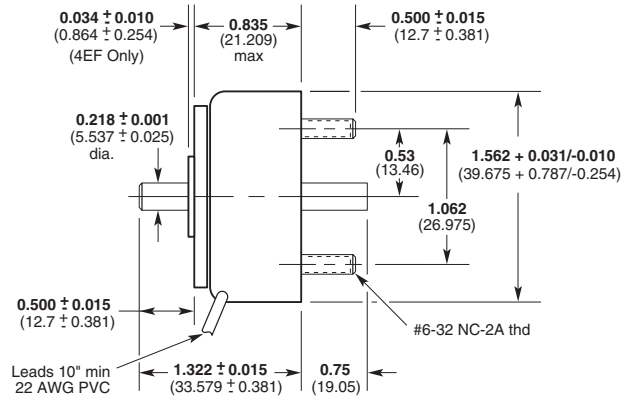
All specifications subject to change without notice.

Ledex® Low Profile Dimensions

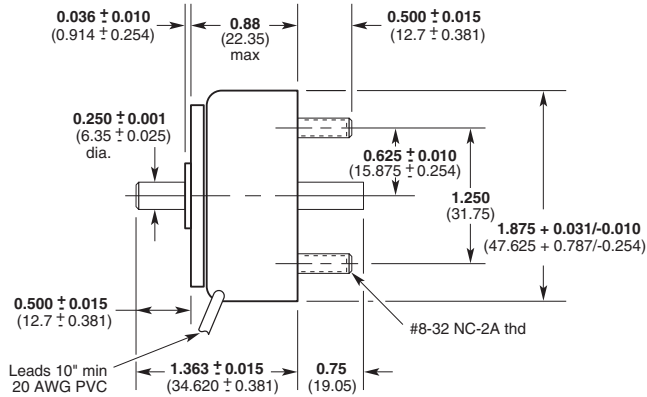
Inches (mm)

All solenoids are illustrated in energized state

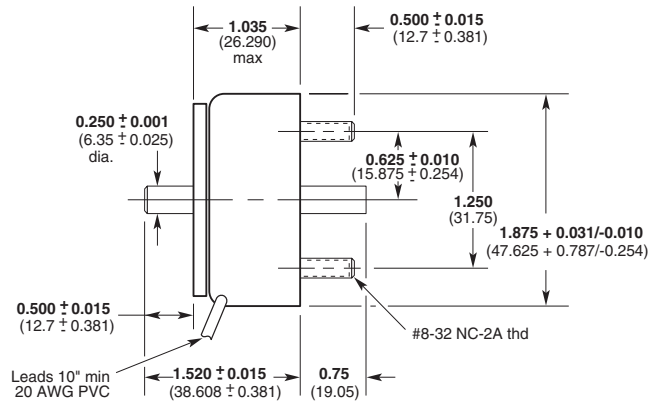
Size 4EF/4EC



Size 5SF



Size 5EC



LINEAR Low Profile

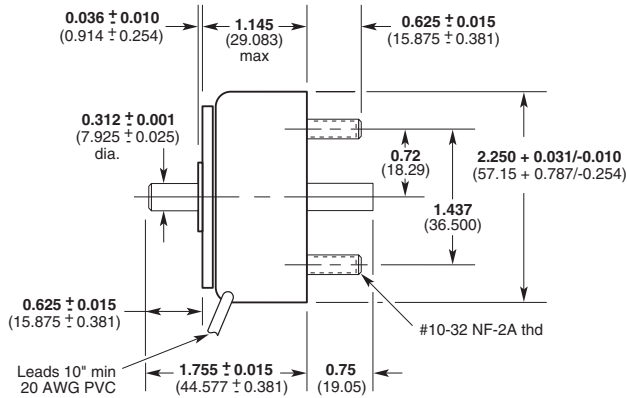
All specifications subject to change without notice.

Ledex[®] Low Profile Dimensions

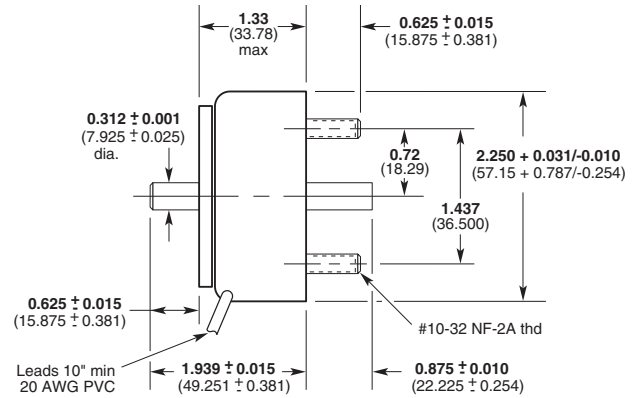
Inches (mm)

All solenoids are illustrated in energized state

Size 6SF

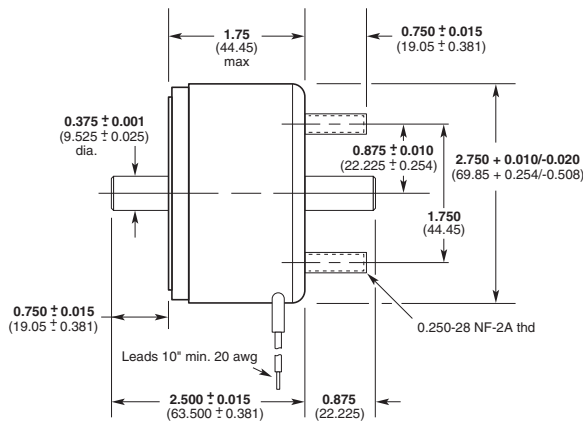


Size 6EC

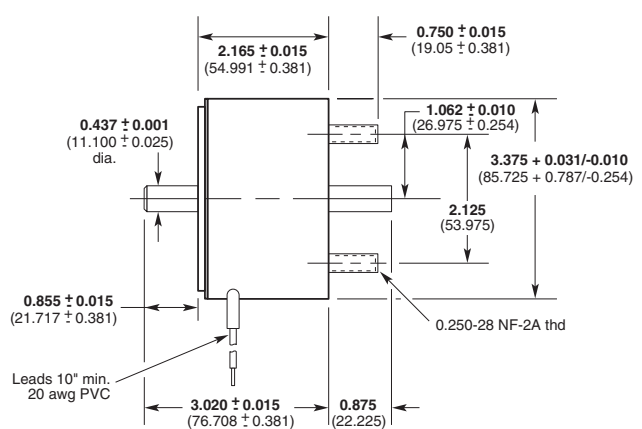


LINEAR Low Profile

Size 7EC

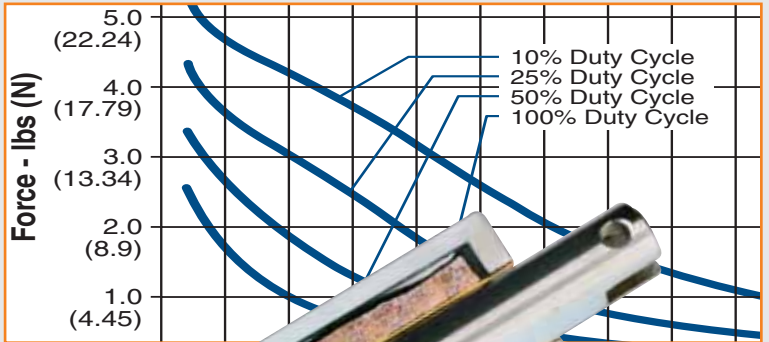
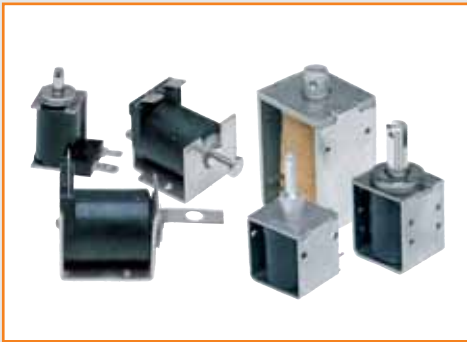


Size 8EC

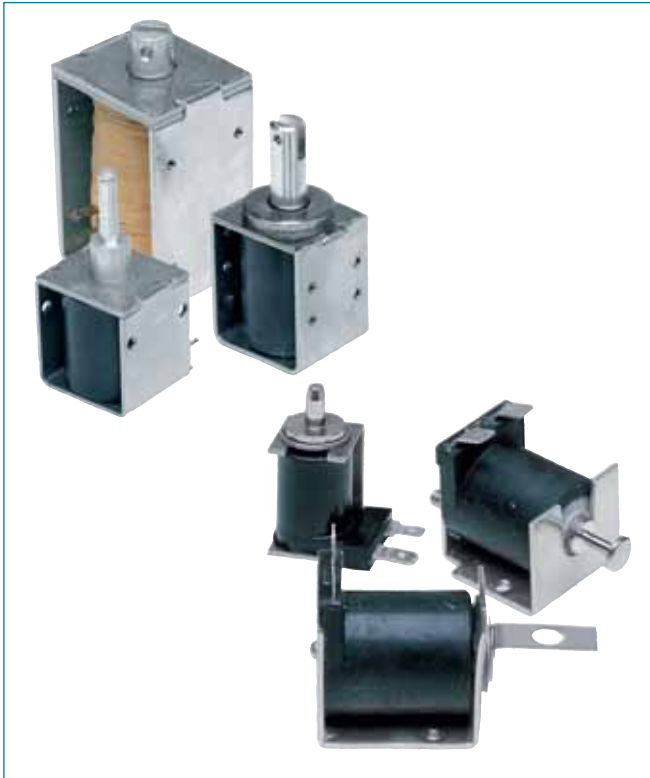


All specifications subject to change without notice.

Ledex® Open Frame Solenoids



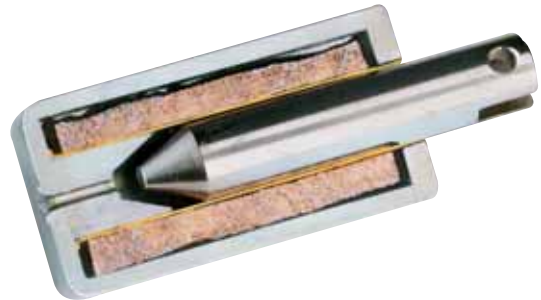
Ledex® Open Frame Solenoids



- Low cost, high volume products
- Strokes to 1.25 inches
- Custom design work is our strength

Applications

- Printers
- Coin dispensers
- Security door locks
- Storage/retrieval systems
- PC board insertion equipment
- Vending



All catalog products manufactured after April 1, 2006 are RoHS Compliant

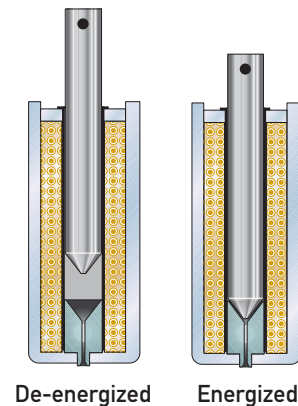
The open frame solenoid is the simplest solenoid device consisting of an open iron frame, an overmolded or taped coil, and a movable plunger in the center of the coil. Open frame solenoids are the most economical of all the solenoid types, and are typically selected for applications in which extremely long life and precise positioning are not critical.

Applications for Ledex® DC open frame devices are numerous. As with all types of solenoids, open frame models are well suited for applications which require either locking or latching functions.

Applications for DC open frame solenoids include residential and commercial door locks, credit card key “smart” locks, pharmaceutical compartment locks, circuit breakers, pinch valves, and many more.

Principle of Operation

The open frame solenoid consists of an open iron frame, a coil, and a movable plunger in the center of the coil.



Selection Overview

Use the selection charts on the following page to determine which model offers the desired performance and mechanical specifications.

Refer to the individual frame size specification pages for complete performance and mechanical data.

Even with our many standard solenoid designs, our customers often require a product with unique features or performance capabilities. If you don't find what you're looking for in the catalog, please give us a call and talk to one of our application engineers.

Ledex® Open Frame Solenoids

Design Considerations

Construction

Open frame solenoids are designed with two frame styles, the C Frame style, in which the coil is enclosed on one side, and the Box Frame style in which the coil is enclosed on two sides. The Box Frame style provides slightly higher force output and is more rugged in design.

Tapped mounting holes are used for easy installation and interchangeability.

Most models have slotted and cross drilled plungers for easy load attachment.

The plunger is plated for corrosion resistance, and provides a low coefficient of friction and long life.

Over molded coils are available in both Box Frame and C Frame solenoids and offer excellent protection from moisture and humidity. Some solenoids are UL recognized. Most have UL recognized coil insulation systems.

Life

When selecting an open frame solenoid, as with any other solenoid style, it is important to consider the effects of heat, since an increase in coil temperature reduces the work output and the life of the unit. Standard life is 50,000 to 100,000 operations. Consult the factory for longer life of 500,000 or more cycles, and other special requirements.

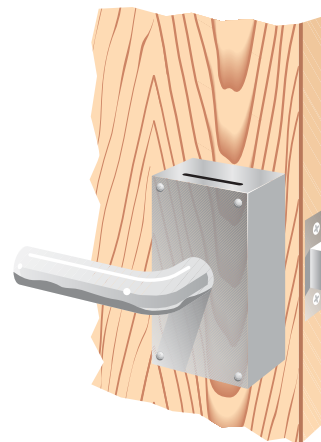
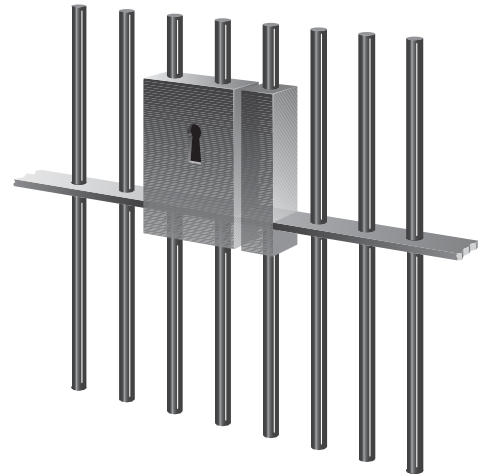
Duty Cycle

Duty cycle is determined by solenoid ON time/(ON + OFF time).

For example: a solenoid is actuated for 30 seconds, then off for 90 seconds.
 $30 \text{ sec ON} / (30 \text{ Sec ON} + 90 \text{ sec OFF}) = 30/120 = 1/4 \text{ or } 25\% \text{ duty cycle.}$

Performance Curves

The Force/Stroke performance curves in this section serve as guides to determine the solenoid size needed to produce a desired force at a given stroke, duty cycle, and power source. All Force/Stroke curves are performed under standard test conditions: ambient temperature of 20°C. A design safety factor of 1.3 to 1.5 is recommended. For example, when a 4.5 lb pull force is required, select a model with a safety factor of 1.3 to 1.5 times (5.8 to 6.7 lb).



LINEAR Open Frame

Ledex® Open Frame Solenoids

On-Off DC Open Frame Solenoids

DC actuated units are available in box frame and C frame design styles in a variety of models and sizes.

Models are available for continuous use and intermittent duty.

For low duty cycle applications, consider a magnetic latching open frame.



Box Frame

This solenoid has a 4-sided closed box frame and solid plunger and is, therefore, more electrically efficient than the C Frame solenoid. The closed, box frame also provides improved mechanical strength.



C Frame

C Frame solenoids consist of a formed C-shaped steel frame and solid plunger. Therefore, these solenoids are less efficient and less costly than their Box Frame counterparts.

LINEAR Open Frame

Size	Frame Type	Coil Type ⁽¹⁾	Height (inches)	Width (inches)	Length (inches)	Max. Stroke (inches)	Nominal Stroke (inches)	Typical Force (lbs)		Page
								Nominal Stroke and 100% Rated Voltage @ 100% Duty	25% Duty	
B4HD	Box	OM	1.63	1.45	2.18	1.00	0.50	0.8	3.5	H6
B11	Box	OM	1.18	0.94	1.86	0.80	0.40	0.2	1.0	H7
B14 ●	Box	T	1.02	0.79	1.45	0.60	0.20	0.5	1.9	H8
B16 ●	Box	T	0.48	0.39	0.99	0.15	0.05	0.1	0.3	H10
B17 ●	Box	T	0.59	0.51	0.79	0.18	0.05	0.2	0.6	H12
B20 ●	Box	T	0.94	0.81	1.14	0.50	0.25	0.1	0.4	H14
B21	Box	T	1.31	1.31	1.20	0.50	0.25	0.6	2.2	H15
B22	Box	OM	1.47	1.31	1.61	1.00	0.40	0.6	2.2	H16
B27	Box	T	0.93	0.81	1.62	0.4	0.2	0.3	0.7	H18
B41	Box	T	2.03	1.73	3.05	1.00	0.50	3.0	11.0	H19
B75M ●	Box	T	1.14	1.00	1.63	0.60	0.20	1.1	3.4	H20
C5 ●	C	T	0.46	0.41	0.94	0.20	0.05	0.7	0.2	H21
C8 ●	C	OM	0.81	0.75	1.13	0.50	0.25	0.05	0.3	H23
C9	C	T	1.25	1.38	1.06	0.50	0.25	0.3	1.0	H24
C15 ●	C	T	1.00	1.06	1.14	0.50	0.25	0.1	0.6	H25
C26	C	OM	0.90	0.85	1.73	0.75	0.50	0.1	0.5	H26
C33	C	OM	1.14	1.31	1.36	0.50	0.25	0.3	1.1	H27
C34	C	OM	1.44	1.31	1.66	1.00	0.50	0.2	1.0	H28

⁽¹⁾ OM = Overmolded; T = Taped

● Well-suited for battery operation.



See the "Battery Operated Solenoids" section for complete information.

All catalog products manufactured after April 1, 2006 are RoHS Compliant

All specifications subject to change without notice.

Ledex® Open Frame Solenoids

Magnetic Latching DC Open Frame Solenoids

Magnetic latching solenoids are designed for low duty cycle applications where the solenoid's energized position is needed for an extended period of time.

When power is applied to the solenoid, the plunger moves to its energized position. The plunger latches magnetically in this position and remains there, consuming no power, until a negative

electrical pulse is applied to allow the plunger to unlatch.

The reverse voltage applied is dependent on the load attached to the plunger but must be well below the initial energizing value.

While continuous duty, on/off solenoids tend to develop heat, magnetic latching solenoids do not since no power is consumed in the energized state.



Since magnetic latching solenoids are typically used in low duty cycle applications, they are also perfect candidates for battery operation. These products are therefore cataloged as standard as low as 3-6 volts.


Typical applications for magnetic latching solenoids include door closers, locks, latches and security devices. Almost any solenoid type can be developed as a magnetic latching version. We offer open frame and tubular varieties as catalog standard products.

Size	Frame Type	Coil Type ⁽¹⁾	Height (inches)	Width (inches)	Length (inches)	Max. Stroke (inches)	Nominal Stroke (inches)	Typical Force (lbs)		Page
								Nominal Stroke ⁽²⁾ and 100% Rated Voltage @	25% Duty	
B14-L	● Box - Latching	T	1.02	0.79	1.45	0.6	0.10	2		H9
B16-L	● Box - Latching	T	0.48	0.39	0.99	0.15	0.05	0.15		H11
B17-L	● Box - Latching	T	0.59	0.51	1.12	0.16	0.08	0.2		H13
B22-L	Box - Latching	OM	1.47	1.31	1.61	0.35	0.10	3.3		H17
C5-L	● C - Latching	T	0.46	0.41	0.94	0.20	0.05	0.4		H22

⁽¹⁾ OM = Overmolded; T = Taped

⁽²⁾ Using flat face plunger

- Well-suited for battery operation.



See the "Battery Operated Solenoids" section for complete information.

LINEAR Open Frame

All catalog products manufactured after April 1, 2006 are RoHS Compliant

All specifications subject to change without notice.

Ledex® Box Frame Size B4HD — DC Operation

Part Number: B4HD - **XXX** - M- 36

All catalog products manufactured after April 1, 2006 are RoHS Compliant

Select from performance chart below

Specifications

Continuous Duty Cycle	100% at 20°C ambient temperature
Intermittent Duty Cycle	See below
Holding Force	11.7 lbs (52 N) at 20°C
Coil Insulation	Class "A": 105°C max. temperature standard. Other temperature classes are available
Coil Termination	3/16" QC
Plunger Weight	2.4 oz. (66.6 g)
Total Weight	13.5 oz. (382.7 g)
Dimensions	See page H29

Performance

Maximum Duty Cycle	100%	50%	25%	10%
Maximum ON Time (sec) when pulsed continuously	∞	83	34	13
Maximum ON Time (sec) for single pulse	∞	609	207	66
Watts (@ 20°C)	12.5	25	50	125
Ampere Turns (@ 20°C)	1536	2174	3073	4860

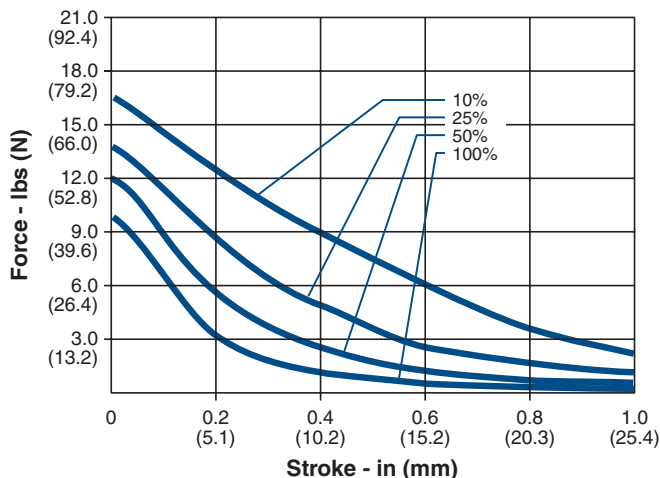
Coil Data

Part Number	Resistance (@20°C)	Ref # Turns	VDC (Nom)	VDC (Nom)	VDC (Nom)	VDC (Nom)
B4HD-255-M-36	2.94	754	6	8.5	12	19
B4HD-254-M-36	11.42	1467	12	17	24	38
B4HD-253-M-36	46.83	2964	24	34	48	76
B4HD-252-M-36	181	5724	48	68	96	152
B4HD-251-M-36	1157	14239	120	170	240	380

NOTES:

- All data is typical.
- Force testing is done with the solenoid in the horizontal position.
- All data reflects operation with no heatsink.
- Magnetic latching versions available. Pull versions standard; push versions available.
- Other coil terminations available.
- All specifications subject to change without notice.

Typical Force @ 20°C



How to Order

Select the part number from the table provided. (For example, to order a 25% duty cycle unit rated at 48 VDC, specify B4HD-253-M-36.

Please see www.ledex.com (click on Stock Products tab) for our list of stock products available through our North American distributors.

Ledex® Box Frame Size B11 — DC Operation

Part Number: B11 - **XXX** - M- 36

All catalog products manufactured after April 1, 2006 are RoHS Compliant

Select from performance chart below

Specifications

Continuous Duty Cycle	100% at 20°C ambient temperature
Intermittent Duty Cycle	See below
Holding Force	3.5 lbs (15.5 N) at 20°C
Coil Insulation	Class "A": 105°C max. temperature standard. Other temperature classes are available
Coil Termination	3/16" QC
Plunger Weight	0.6 oz. (17.0 g)
Total Weight	5.1 oz. (144.5 g)
Dimensions	See page H29

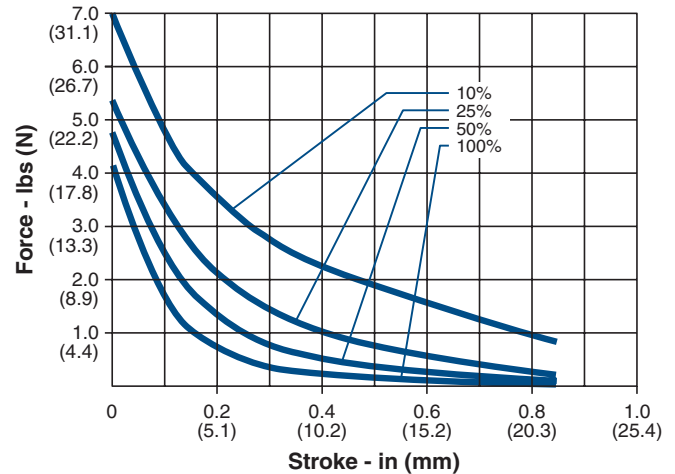
Performance

Maximum Duty Cycle	100%	50%	25%	10%		
Maximum ON Time (sec) when pulsed continuously	∞	50	16	6		
Maximum ON Time (sec) for single pulse	∞	450	172	53		
Watts (@ 20°C)	8.5	17	34	85		
Ampere Turns (@ 20°C)	1317	1866	2634	4170		
Coil Data						
Part Number	Resistance (@20°C)	Ref # Turns	VDC (Nom)	VDC (Nom)	VDC (Nom)	VDC (Nom)
B11-255-M-36	4.12	916	6	8.5	12	19
B11-254-M-36	17.26	1783	12	17	24	38
B11-253-M-36	65.76	3601	24	34	48	76
B11-252-M-36	253.51	6930	48	68	96	152
B11-251-M-36	1538	16548	120	161	229	361

NOTES:

- All data is typical.
- Force testing is done with the solenoid in the horizontal position.
- All data reflects operation with no heatsink.
- Magnetic latching versions available. Pull versions standard; push versions available.
- Other coil terminations available.
- All specifications subject to change without notice.

Typical Force @ 20°C



How to Order

Select the part number from the table provided. (For example, to order a 25% duty cycle unit rated at 48 VDC, specify B11-255-M-36.

Please see www.ledex.com (click on Stock Products tab) for our list of stock products available through our North American distributors.

LINEAR Open Frame

Force values for reference only.

All specifications subject to change without notice.

Ledex® Box Frame Size B14 — DC Operation

Part Number: B14 - **XXX** - B- 1

All catalog products manufactured after April 1, 2006 are RoHS Compliant

Select from performance chart below

Specifications

Continuous Duty Cycle	100% at 20°C ambient temperature
Intermittent Duty Cycle	See below
Holding Force	3.5 lbs (15.6 N) at 20°C
Coil Insulation	Class " B": 130°C max.
Coil Termination	10" PVC lead wires
Plunger Weight	0.42 oz. (12 g)
Total Weight	3.17 oz. (90 g)
Dimensions	See page H30

Well-suited for battery operation.



See the "Battery Operated Solenoids" section for complete information.

Performance

Maximum Duty Cycle	100%	50%	25%	10%
Maximum ON Time (sec) when pulsed continuously	∞	100	36	7
Maximum ON Time (sec) for single pulse	∞	480	180	45
Watts (@ 20°C)	5.2	10.4	20.8	52.2
Ampere Turns (@ 20°C)	750	1060	1500	2370

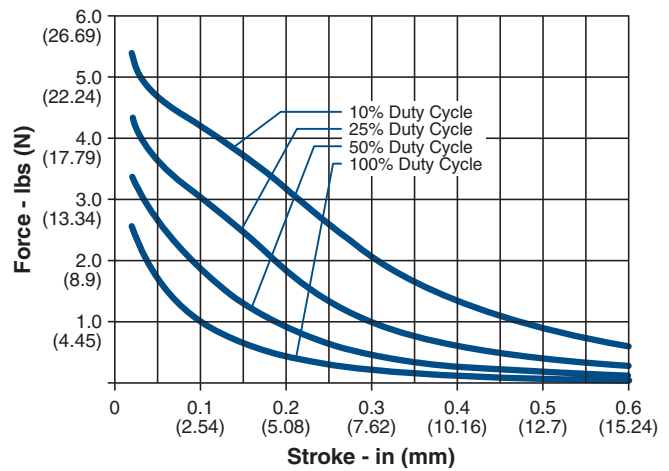
Coil Data

Part Number	Resistance (@20°C)	Ref # Turns	VDC (Nom)	VDC (Nom)	VDC (Nom)	VDC (Nom)
B14-255-B-1	6.9	871	6	8.5	12	19
B14-254-B-1	28.6	1791	12	17	24	38
B14-253-B-1	110	3450	24	34	48	76

NOTES:

- All data is typical.
- Force testing is done with the solenoid in the horizontal position.
- All data reflects operation with no heatsink.
- Other coil terminations available.
- All specifications subject to change without notice.

Typical Force @ 20°C



How to Order

Select the part number from the table provided. (For example, to order a 25% duty cycle unit rated at 48 VDC, specify B14-253-B-1.

Please see www.ledex.com (click on Stock Products tab) for our list of stock products available through our North American distributors.

Force values for reference only.

All specifications subject to change without notice.

Ledex® Box Frame Size B14-L — DC Operation

Magnetic Latching

Part Number: B14 - L - **X** **XX** - B- 4

Coil Selection
(from performance chart below)

Pole Configuration
1 Flat Face
2 50° Conical

All catalog products manufactured after April 1, 2006 are RoHS Compliant

Well-suited for battery operation.



See the "Battery Operated Solenoids" section for complete information.

Specifications

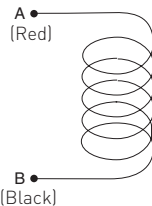
Operation	Pull
Dielectric Strength	500 VRMS for one second
Unlatch Voltage	See schematic and coil data below
Magnet Hold Force*	
Flat Face:	2.10 lb (with return spring)
50° Conical:	1.25 lb (with return spring)
Coil Insulation	Class "B": 130°C max. (standard); other temperature classes available
Coil Termination	10" PVC lead wires
Spring Force	0.37 lb/in; 0.17 lb latched position
Plunger Pole Face	Flat face with return spring 50° conical with return spring (other options available)
Plunger Weight	0.50 oz (14.2 g)
Total Weight	3.38 oz (95.9 g)
Dimensions	See page H30

*In no power, latched position

Maximum Duty Cycle	Unlatched				
	Voltage	50%	25%	10%	
Maximum ON Time (sec) when pulsed continuously	∞	100	36	7	
Maximum ON Time (sec) for single pulse	∞	480	180	45	
Watts (@ 20°C)	5.2	10.4	20.8	52.2	
Ampere Turns (@ 20°C)	750	1060	1500	2370	
Coil Data					
Part Number	Resistance (@20°C)	Ref # Turns	Unlatch VDC	VDC (Nom)	VDC (Nom)
B14-L-X58-B-4	1.93	421	3	4	6
B14-L-X55-B-4	6.90	871	6	8.5	12
B14-L-X56-B-4	17.40	1228	9	13	18
B14-L-X54-B-4	28.60	1791	12	17	24
B14-L-X53-B-4	110.00	3450	24	34	48

Coil Polarity

Latch: A+ B-
Unlatch: A- B+

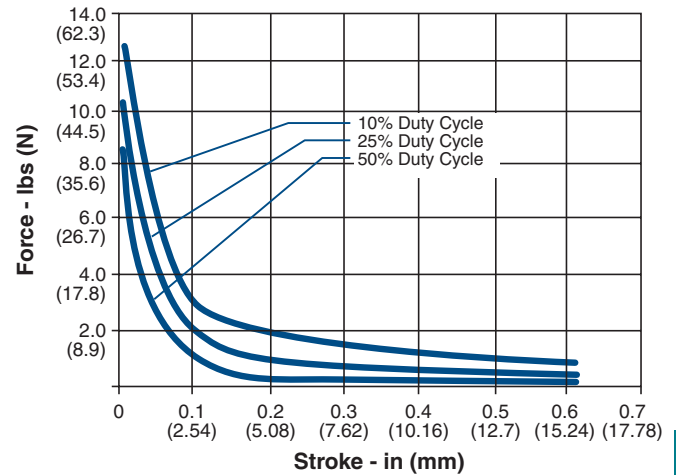


NOTES:

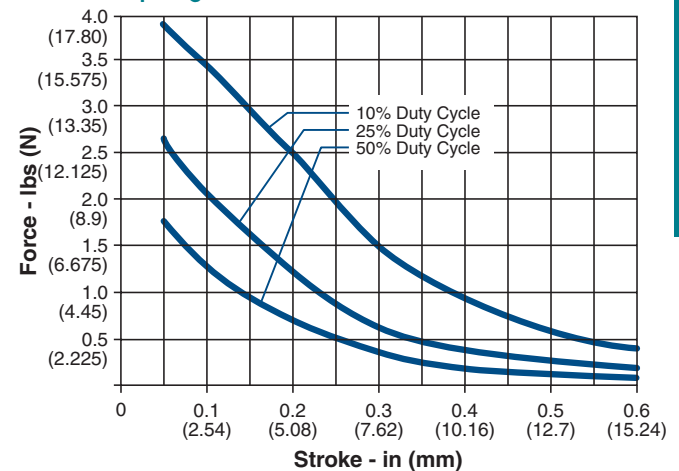
- All data is typical.
- Force testing is done with the solenoid in the horizontal position.
- All data reflects operation with no heatsink.
- Other coil terminations available.
- All specifications subject to change without notice.

Force values for reference only.

Typical Force @ 20°C – Flat Face Armature (net with spring)



Typical Force @ 20°C – 50° Conical Armature (net with spring)



How to Order

Select the part number from the table provided. (For example, to order a 25% duty cycle unit rated at 48 VDC with a 50° Conical Armature, specify B14-L-255-B-4.

Please see www.ledex.com (click on Stock Products tab) for our list of stock products available through our North American distributors.

All specifications subject to change without notice.

LINEAR Open Frame

Ledex® Box Frame Size B16 — DC Operation

Part Number: B16 - **XXX** - B- 1

All catalog products manufactured after April 1, 2006 are RoHS Compliant

Select from performance chart below

Specifications

Continuous Duty Cycle	100% at 20°C ambient temperature
Intermittent Duty Cycle	See below
Holding Force	14.37 oz. (3.99 N) at 20°C
Coil Insulation	Class "B": 130°C max.
Coil Termination	Lead wires
Plunger Weight	0.09 oz. (2.6 g)
Total Weight	0.44 oz. (12.5 g)
Dimensions	See page H31

● Well-suited for battery operation.



See the "Battery Operated Solenoids" section for complete information.

Performance

Maximum Duty Cycle	100%	50%	25%	10%
Maximum ON Time (sec) when pulsed continuously	∞	40	15	5
Maximum ON Time (sec) for single pulse	∞	253	78	19
Watts (@ 20°C)	1.43	2.86	5.72	14.3
Ampere Turns (@ 20°C)	270	383	575	855

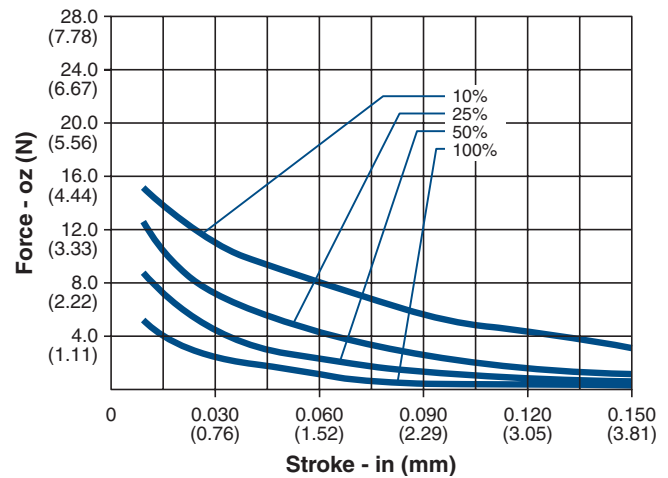
Coil Data

Part Number	Resistance (@20°C)	Ref # Turns	VDC (Nom)	VDC (Nom)	VDC (Nom)	VDC (Nom)
B16-258-B-1	6.35	531	3	4.3	6	9.5
B16-256-B-1	54.2	1644	9	12.5	17.6	27.8
B16-255-B-1	22.71	1100	6	8.5	12	19
B16-254-B-1	100.79	2035	12	17	24	38
B16-253-B-1	394.5	3944	24	34	48	76
B16-252-B-1	1630	9827	48	68	96	153

NOTES:

- All data is typical.
- Force testing is done with the solenoid in the horizontal position.
- All data reflects operation with no heatsink.
- Other coil terminations available.
- All specifications subject to change without notice.

Typical Force @ 20°C



How to Order

Select the part number from the table provided. (For example, to order a 25% duty cycle unit rated at 48 VDC, specify B16-253-B-1.

Please see www.ledex.com (click on Stock Products tab) for our list of stock products available through our North American distributors.

Force values for reference only.

All specifications subject to change without notice.

Ledex® Box Frame Size B16-L — DC Operation

Magnetic Latching

Part Number: B16 - L - X XX - B- 3

Coil Selection
(from performance chart below)

Pole Configuration
1 Flat Face

All catalog products manufactured after April 1, 2006 are RoHS Compliant

Specifications

Operation	Pull
Dielectric Strength	500 VRMS for one second
Unlatch Voltage	See schematic and coil data below
Magnet Hold Force*	6.5 oz. (with return spring)
Coil Insulation	Class " B": 130°C max. (standard); other temperature classes available
Coil Termination	10" PVC lead wires
Spring Force	5.44 oz/in; 1.1 oz latched position
Plunger Pole Face	Flat face (other options available)
Plunger Weight	0.08 oz. (2.46 g)
Total Weight	0.35 oz. (10.12 g)
Dimensions	See page H31

*In no power, latched position.

Well-suited for battery operation.



See the "Battery Operated Solenoids" section for complete information.

Performance

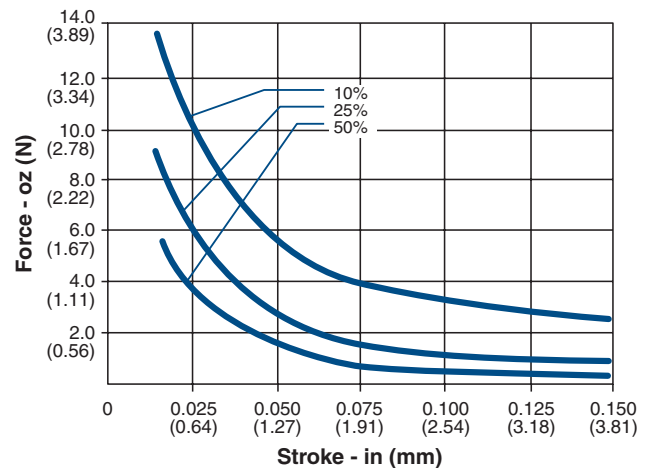
Maximum Duty Cycle	Unlatched			
	Voltage	50%	25%	10%
Maximum ON Time (sec)	n/a	253	78	19
Watts (@ 20°C)	1.43	2.86	5.72	14.3
Ampere Turns (@ 20°C)	270	383	575	855

Part Number	Resistance (@20°C)	Ref # Turns	Coil Data		
			Unlatch VDC	VDC (Nom)	VDC (Nom)
B16-L-158-B-3	6.35	531	3	4.3	6
B16-L-155-B-3	22.71	1100	6	8.5	12
B16-L-156-B-3	54.20	1644	9	12.5	17.6
B16-L-154-B-3	100.79	2035	12	17	24
B16-L-153-B-3	394.50	3944	24	34	48
B16-L-152-B-3	1630.00	9827	48	68	96

NOTES:

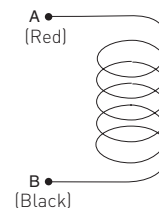
- All data is typical.
- Force testing is done with the solenoid in the horizontal position.
- All data reflects operation with no heatsink.
- Other coil terminations available.
- All specifications subject to change without notice.

Typical Force @ 20°C (Net, with Spring)



Coil Polarity

Latch: A+ B-
Unlatch: A- B+



How to Order

Select the part number from the table provided. (For example, to order a 25% duty cycle unit rated at 48 VDC, specify B16-L-153-B-3.

Please see www.ledex.com (click on Stock Products tab) for our list of stock products available through our North American distributors.

Force values for reference only.

All specifications subject to change without notice.

Ledex® Box Frame Size B17 — DC Operation

Part Number: B17 - XXX - A- 1

All catalog products manufactured after April 1, 2006 are RoHS Compliant

Select from performance chart below

Specifications

Continuous Duty Cycle	100% at 20°C ambient temperature
Intermittent Duty Cycle	See below
Holding Force	14.04 oz. (3.9 N) at 20°C
Coil Insulation	Class " B": 130°C max.
Coil Termination	10" PVC lead wires
Plunger Weight	0.1 oz. (2.84 g)
Total Weight	0.65 oz. (18.4 g)
Dimensions	See page H32

● Well-suited for battery operation.



See the "Battery Operated Solenoids" section for complete information.

Performance

Maximum Duty Cycle	100%	50%	25%	10%
Maximum ON Time (sec) when pulsed continuously	∞	15	6	2
Maximum ON Time (sec) for single pulse	∞	112	36	10.5
Watts (@ 20°C)	1.6	3.2	6.4	16
Ampere Turns (@ 20°C)	292	414	584	923

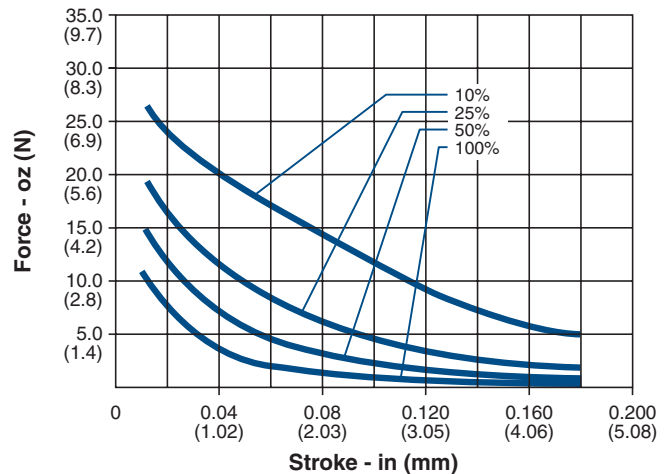
Coil Data

Part Number	Resistance (@20°C)	Ref # Turns	VDC (Nom)	VDC (Nom)	VDC (Nom)	VDC (Nom)
B17-258-A-1	5.40	520	2.9	4	6	9
B17-256-A-1	50.2	1624	9	12	18	28.3
B17-255-A-1	21.93	1112	6	8.5	12	19
B17-254-A-1	88.95	2219	12	17	24	38
B17-253-A-1	337	3687	24	34	48	76
B17-252-A-1	1465	9177	48	68	96	153

NOTES:

- All data is typical.
- Force testing is done with the solenoid in the horizontal position.
- All data reflects operation with no heatsink.
- Other coil terminations available.
- All specifications subject to change without notice.

Typical Force @ 20°C



How to Order

Select the part number from the table provided. (For example, to order a 25% duty cycle unit rated at 48 VDC, specify B17-253-A-1.

Please see www.ledex.com (click on Stock Products tab) for our list of stock products available through our North American distributors.

Ledex® Box Frame Size B17-L — DC Operation

Magnetic Latching

Part Number: B17 - L - X XX - B- 3

Coil Selection
(from performance chart below)

Pole Configuration
1 Flat Face

All catalog products manufactured after April 1, 2006 are RoHS Compliant

Specifications

Operation	Pull
Dielectric Strength	500 VRMS for one second
Unlatch Voltage	See schematic and coil data below
Magnet Hold Force*	10 oz. (with return spring)
Coil Insulation	Class "B": 130°C max. (standard); other temperature classes available
Coil Termination	10" PVC lead wires
Spring Force	35.2 oz/in; 0.33 oz latched position
Plunger Pole Face	Flat face (other options available)
Plunger Weight	0.08 oz. (2.46 g)
Total Weight	0.70 oz. (19.85 g)
Dimensions	See page H32

*In no power, latched position.

Well-suited for battery operation.



See the "Battery Operated Solenoids" section for complete information.

Performance

Maximum Duty Cycle	Unlatched			
	Voltage	50%	25%	10%
Maximum ON Time (sec)	n/a	112	36	10.5
Watts (@ 20°C)	1.6	3.2	6.4	16
Ampere Turns (@ 20°C)	292	414	584	923

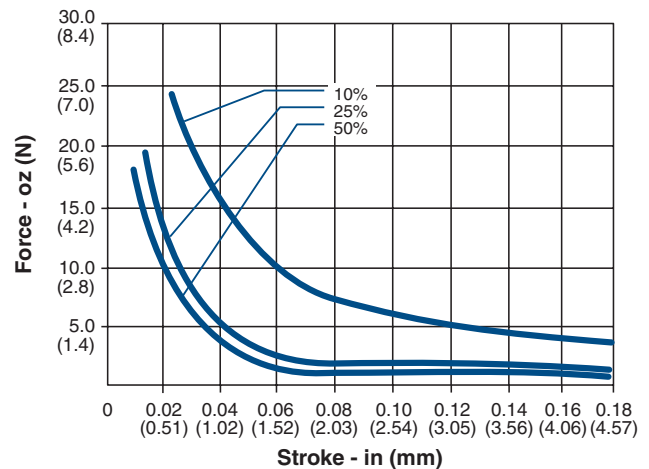
Coil Data

Part Number	Resistance (@20°C)	Ref # Turns	Unlatch VDC	VDC (Nom)	VDC (Nom)	VDC (Nom)
B17-L-158-B-3	5.40	520	3	4	6	9
B17-L-155-B-3	21.93	1112	6	8.5	12	19
B17-L-156-B-3	50.20	1624	9	12	18	28.3
B17-L-154-B-3	88.95	2219	12	17	24	38
B17-L-153-B-3	337.00	3687	24	34	48	76
B17-L-152-B-3	1465.00	9177	48	68	96	153

NOTES:

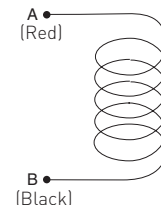
- All data is typical.
- Force testing is done with the solenoid in the horizontal position.
- All data reflects operation with no heatsink.
- Other coil terminations available.
- All specifications subject to change without notice.

Typical Force @ 20°C (Net, with Spring)



Coil Polarity

Latch: A+ B-
Unlatch: A- B+



LINEAR Open Frame

How to Order

Select the part number from the table provided. (For example, to order a 25% duty cycle unit rated at 48 VDC, specify B17-L-153-B-3.

Please see www.ledex.com (click on Stock Products tab) for our list of stock products available through our North American distributors.

Force values for reference only.

All specifications subject to change without notice.

Ledex® Box Frame Size B20 — DC Operation

Part Number: B20 - **XXX** - A-3

All catalog products manufactured after April 1, 2006 are RoHS Compliant

Select from performance chart below

Specifications

Continuous Duty Cycle	100% at 20°C ambient temperature
Intermittent Duty Cycle	See below
Holding Force	2.3 lbs. (10.2 N) at 20°C
Coil Insulation	Class "A": 105°C max.
Coil Termination	Lead wires
Plunger Weight	0.58 oz. (16.4 g)
Total Weight	2.17 oz. (61.6 g)
Dimensions	See page H33

Performance

Maximum Duty Cycle	100%	50%	25%	10%
Maximum ON Time (sec) when pulsed continuously	∞	65	28	7
Maximum ON Time (sec) for single pulse	∞	190	80	28
Watts (@ 20°C)	4.5	9.0	18.0	45.0
Ampere Turns (@ 20°C)	429	608	858	1358

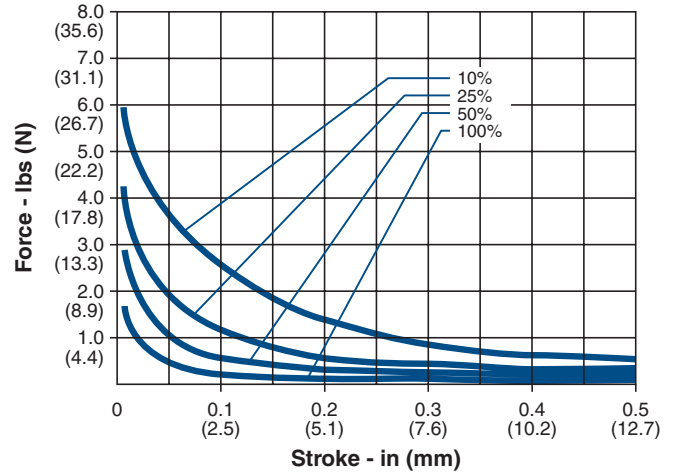
Coil Data

Part Number	Resistance (@20°C)	Ref # Turns	VDC (Nom)	VDC (Nom)	VDC (Nom)	VDC (Nom)
B20-255-A-3	8	572	6	8.5	12	19
B20-254-A-3	32	1222	12	17	24	38
B20-253-A-3	128	2269	24	34	48	76
B20-252-A-3	512	4496	48	68	96	152
B20-251-A-3	3200	10944	120	170	240	380

NOTES:

1. All data is typical.
2. Force testing is done with the solenoid in the horizontal position.
3. All data reflects operation with no heatsink.
4. Other coil terminations available.
5. All specifications subject to change without notice.

Typical Force @ 20°C



How to Order

Select the part number from the table provided. (For example, to order a 25% duty cycle unit rated at 48 VDC, specify B20-253-A-3.

Please see www.ledex.com (click on Stock Products tab) for our list of stock products available through our North American distributors.

Ledex® Box Frame Size B21 — DC Operation

Part Number: B21 - **XXX** - A- 3

All catalog products manufactured after April 1, 2006 are RoHS Compliant

Select from performance chart below

Specifications

Continuous Duty Cycle	100% at 20°C ambient temperature
Intermittent Duty Cycle	See below
Holding Force	8.3 lbs (36.9 N) at 20°C
Coil Insulation	Class "A": 105°C max. temperature standard. Other temperature classes are available
Coil Termination	Lead wires
Plunger Weight	0.85 oz. (24.0 g)
Total Weight	4.67 oz. (132.4 g)
Dimensions	See page H33

Performance

Maximum Duty Cycle	100%	50%	25%	10%
Maximum ON Time (sec) when pulsed continuously	∞	98	45	17
Maximum ON Time (sec) for single pulse	∞	338	115	36
Watts (@ 20°C)	8	16	32	80
Ampere Turns (@ 20°C)	869	1231	1738	2752

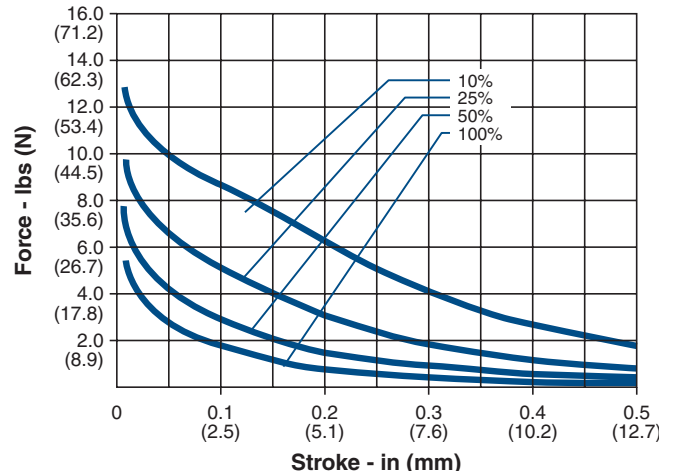
Coil Data

Part Number	Resistance (@20°C)	Ref # Turns	VDC (Nom)	VDC (Nom)	VDC (Nom)	VDC (Nom)
B21-255-A-3	4.5	660	6	8.5	12	19
B21-254-A-3	18	1316	12	17	24	38
B21-253-A-3	72	2631	24	34	48	76
B21-252-A-3	288	5170	48	68	96	152
B21-251-A-3	1800	12740	120	170	240	380

NOTES:

- All data is typical.
- Force testing is done with the solenoid in the horizontal position.
- All data reflects operation with no heatsink.
- Magnetic latching versions available. Pull versions standard; push versions available.
- Other coil terminations available.
- All specifications subject to change without notice.

Typical Force @ 20°C



How to Order

Select the part number from the table provided. (For example, to order a 25% duty cycle unit rated at 48 VDC, specify B21-253-A-3.

Please see www.ledex.com (click on Stock Products tab) for our list of stock products available through our North American distributors.

LINEAR Open Frame

Force values for reference only.

All specifications subject to change without notice.

Ledex® Box Frame Size B22 — DC Operation

Part Number: B22 - **XXX** - M-36

All catalog products manufactured after April 1, 2006 are RoHS Compliant

Select from performance chart below

Specifications

Continuous Duty Cycle	100% at 20°C ambient temperature
Intermittent Duty Cycle	See below
Holding Force	8 lbs (35.6 N) at 20°C
Coil Insulation	Class "A": 105°C max. temperature standard. Other temperature classes are available
Coil Termination	3/16" QC
Plunger Weight	1.4 oz. (39.7 g)
Total Weight	7.5 oz. (212.6 g)
Dimensions	See page H34

Performance

Maximum Duty Cycle	100%	50%	25%	10%
Maximum ON Time (sec) when pulsed continuously	∞	52	23	9
Maximum ON Time (sec) for single pulse	∞	485	167	47
Watts (@ 20°C)	9.9	19.8	39.6	99
Ampere Turns (@ 20°C)	1046	1482	2093	3314

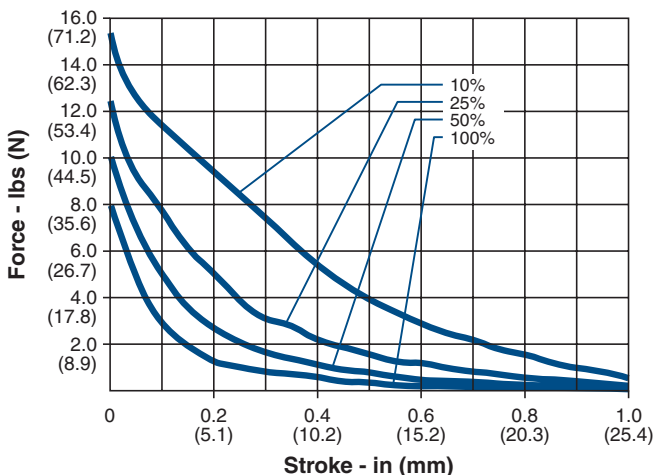
Coil Data

Part Number	Resistance (@20°C)	Ref # Turns	VDC (Nom)	VDC (Nom)	VDC (Nom)	VDC (Nom)
B22-255-M-36	3.64	635	6	8.5	12	19
B22-254-M-36	14.55	1300	12	17	24	38
B22-253-M-36	58.18	2578	24	34	48	76
B22-252-M-36	232.73	5103	48	68	96	152
B22-251-M-36	1493	12744	120	172	240	385

NOTES:

1. All data is typical.
2. Force testing is done with the solenoid in the horizontal position.
3. All data reflects operation with no heatsink.
4. Magnetic latching versions available. Pull versions standard; push versions available.
5. Other coil terminations available.
6. All specifications subject to change without notice.

Typical Force @ 20°C



How to Order

Select the part number from the table provided. (For example, to order a 25% duty cycle unit rated at 48 VDC, specify B22-253-M-36.

Please see www.ledex.com (click on Stock Products tab) for our list of stock products available through our North American distributors.

Ledex® Box Frame Size B22-L — DC Operation

Magnetic Latching

Part Number: B22 - L - X XX - M- 36

Coil Selection
(from performance chart below)

Pole Configuration

- 1 Flat Face
- 2 60° Conical

All catalog products manufactured after April 1, 2006 are RoHS Compliant

Specifications

Operation	Pull
Dielectric Strength	1500 VRMS for one second
Unlatch Voltage	See schematic and coil data below
Magnet Hold Force*	
Flat Face:	5.0 lb (with return spring)
60° Conical:	1.0 lb (with return spring)
Coil Insulation	Class " B": 130°C max. (standard); other temperature classes available
Coil Termination	3/16" QC
Spring Force	2.4 lb/in; 1.08 lb latched position
Plunger Pole Face	Flat face with return spring 60° with return spring (other options available)
Plunger Weight	1.24 oz. (35.2 g)
Total Weight	7.5 oz. (212.8 g)
Dimensions	See page H34

*In no power, latched position.

Performance

Maximum Duty Cycle	Unlatched			
	Voltage	50%	25%	10%
Maximum ON Time (sec)	n/a	485	167	47
Watts (@ 20°C)	9.9	19.8	39.6	99
Ampere Turns (@ 20°C)	1046	1482	2093	3314

Coil Data

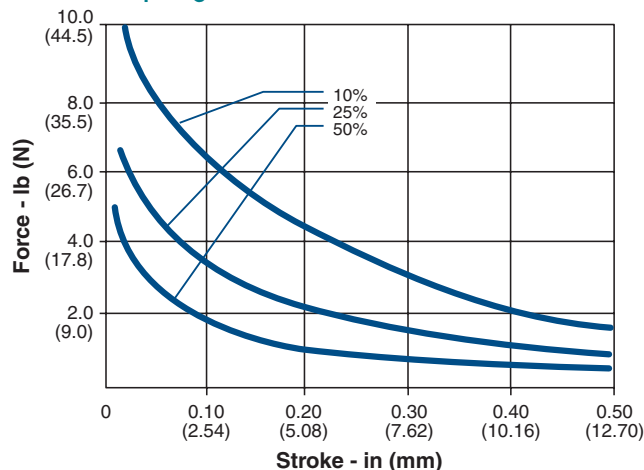
Part Number	Resistance (@20°C)	Ref # Turns	Unlatch VDC	VDC (Nom)	VDC (Nom)	VDC (Nom)
B22-L-X55-M-36	3.64	635	6	8.5	12	19
B22-L-X54-M-36	14.55	1300	12	17	24	38
B22-L-X53-M-36	58.18	2578	24	34	48	76
B22-L-X52-M-36	232.73	5103	48	68	96	152
B22-L-X51-M-36	1493.00	12744	120	172	240	385

NOTES:

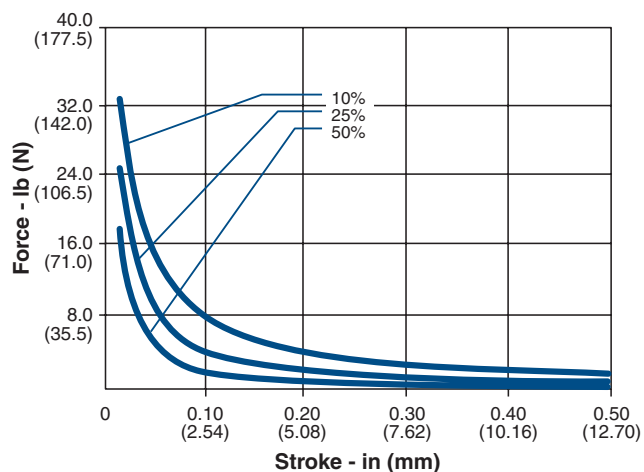
1. All data is typical.
2. Force testing is done with the solenoid in the horizontal position.
3. All data reflects operation with no heatsink.
4. Other coil terminations available.
5. All specifications subject to change without notice.

Force values for reference only.

Typical Force @ 20°C – 60° Armature (Net, with Spring)

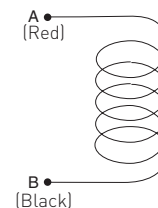


Typical Force @ 20°C – Flat Face Armature (Net, with Spring)



Coil Polarity

Latch: A+ B-
Unlatch: A- B+



How to Order

Select the part number from the table provided. (For example, to order a 25% duty cycle flat face unit rated at 48 VDC, specify B22-L-155-M-36.

All specifications subject to change without notice.

LINEAR Open Frame

Ledex® Box Frame Size B27 — DC Operation

Part Number: B27 - **XXX** - A-3

All catalog products manufactured after April 1, 2006 are RoHS Compliant

Select from performance chart below

Specifications

Continuous Duty Cycle	100% at 20°C ambient temperature
Intermittent Duty Cycle	See below
Holding Force	79.6 oz (22.12 N) at 20°C
Coil Insulation	Class "A": 105°C max. temperature standard. Other temperature classes are available
Coil Termination	10" PVC lead wires
Plunger Weight	0.72 oz. (20.4 g)
Total Weight	3.2 oz. (90.7 g)
Dimensions	See page H35

Performance

Maximum Duty Cycle	100%	50%	25%	10%
Maximum ON Time (sec) when pulsed continuously	∞	190	62	19
Maximum ON Time (sec) for single pulse	∞	480	180	45
Watts (@ 20°C)	7.2	14.4	28.8	72.2
Ampere Turns (@ 20°C)	918	1300	1836	2907

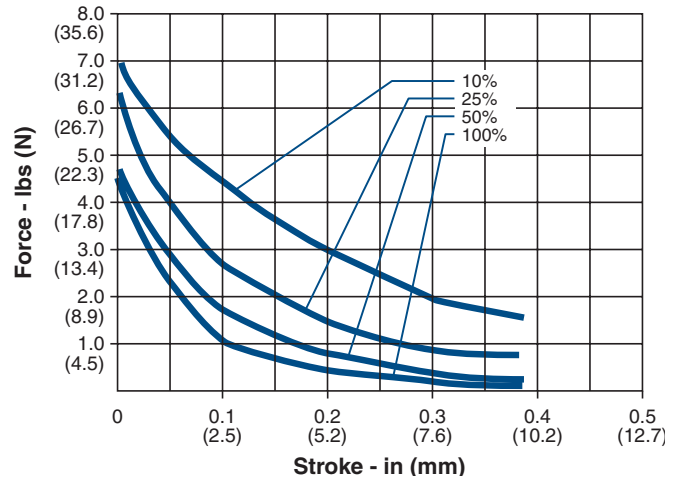
Coil Data

Part Number	Resistance (@20°C)	Ref # Turns	VDC (Nom)	VDC (Nom)	VDC (Nom)	VDC (Nom)
B27-255-A-3	5	765	6	8.5	12	19
B27-254-A-3	20	1533	12	17	24	38
B27-253-A-3	80	3060	24	34	48	76
B27-252-A-3	320	6120	48	68	96	152
B27-251-A-3	2000	15300	120	170	240	380

NOTES:

- All data is typical.
- Force testing is done with the solenoid in the horizontal position.
- All data reflects operation with no heatsink.
- Other coil terminations available.
- All specifications subject to change without notice.

Typical Force @ 20°C



How to Order

Select the part number from the table provided. (For example, to order a 25% duty cycle unit rated at 48 VDC, specify B27-253-A-3.

Please see www.ledex.com (click on Stock Products tab) for our list of stock products available through our North American distributors.

Ledex® Box Frame Size B41 — DC Operation

Part Number: B41 - **XXX** - B- 1

All catalog products manufactured after April 1, 2006 are RoHS Compliant

Select from performance chart below

Specifications

Continuous Duty Cycle	100% at 20°C ambient temperature
Intermittent Duty Cycle	See below
Holding Force	16 lbs (71.2 N) at 20°C
Coil Insulation	Class "A": 105°C max. temperature standard. Other temperature classes are available
Coil Termination	Solder lugs
Plunger Weight	5.6 oz. (158.8 g)
Total Weight	31.0 oz. (878.9 g)
Dimensions	See page H35

Performance

Maximum Duty Cycle	100%	50%	25%	10%
Maximum ON Time (sec) when pulsed continuously	∞	95	60	14
Maximum ON Time (sec) for single pulse	∞	1548	491	139
Watts (@ 20°C)	19	38	76	190
Ampere Turns (@ 20°C)	1981	2807	3963	6274

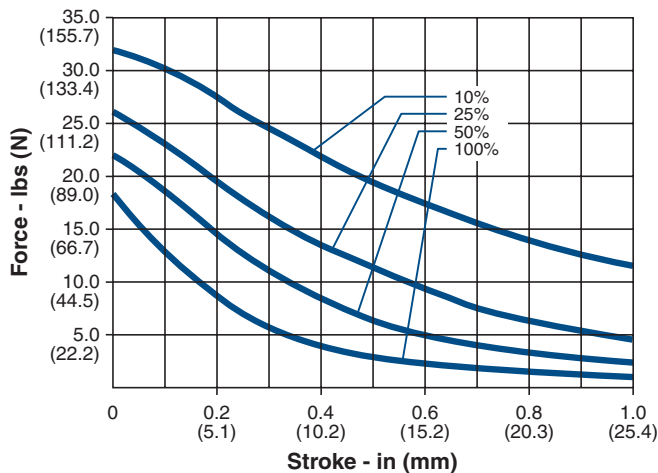
Coil Data

Part Number	Resistance (@20°C)	Ref # Turns	VDC (Nom)	VDC (Nom)	VDC (Nom)	VDC (Nom)
B41-255-B-1	1.84	608	6	8.5	12	19
B41-254-B-1	7.67	1432	12	17	24	38
B41-253-B-1	30.19	2814	24	34	48	76
B41-252-B-1	121.5	5610	48	68	96	152
B41-251-B-1	793.46	14259	120	173	240	388

NOTES:

- All data is typical.
- Force testing is done with the solenoid in the horizontal position.
- All data reflects operation with no heatsink.
- Magnetic latching versions available. Pull versions standard; push versions available.
- Other coil terminations available.
- All specifications subject to change without notice.

Typical Force @ 20°C



How to Order

Select the part number from the table provided. (For example, to order a 25% duty cycle unit rated at 48 VDC, specify B41-253-B-1.

Please see www.ledex.com (click on Stock Products tab) for our list of stock products available through our North American distributors.

LINEAR Open Frame

Ledex® Box Frame Size B75M — DC Operation

Part Number: B75M - **XXX** - B-3

All catalog products manufactured after April 1, 2006 are RoHS Compliant

Select from performance chart below

Specifications

Continuous Duty Cycle	100% at 20°C ambient temperature
Intermittent Duty Cycle	See chart
Holding Force	4.5 lbs (20 N) at 20°C
Coil Insulation	Class "B": 130°C max. temperature standard
Coil Termination	Lead wires
Plunger Weight	1.05 oz (30 g)
Total Weight	5.65 oz (160 g)
Dimensions	See page H36

● Well-suited for battery operation.



See the "Battery Operated Solenoids" section for complete information.

Performance

Maximum Duty Cycle	100%	50%	25%	10%
Maximum ON Time (sec) when pulsed continuously	∞	90	27	5
Maximum ON Time (sec) for single pulse	∞	436	144	36
Watts (@ 20°C)	6	12	24	60
Ampere Turns (@ 20°C)	800	1133	1500	2528

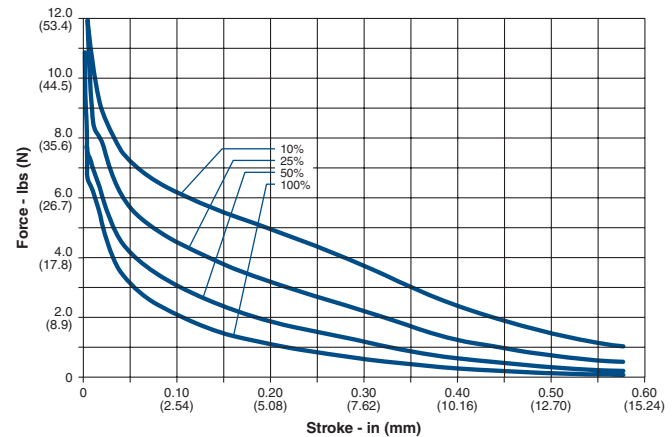
Coil Data

Part Number	Resistance (@20°C)	Ref # Turns	VDC (Nom)	VDC (Nom)	VDC (Nom)	VDC (Nom)
B75M-255-B-3	5.9	800	6	8.4	11.9	18.8
B75M-254-B-3	24	1600	12	17	24	38
B75M-253-B-3	96	3280	24	34	48	76
B75M-252-B-3	384	6480	48	67.9	96	153

NOTES:

- All data is typical.
- Force testing is done with the solenoid in the horizontal position.
- All data reflects operation with no heatsink.
- Magnetic latching versions available. Pull versions standard; push versions available.
- Other coil terminations available.
- All specifications subject to change without notice.

Typical Force @ 20°C



How to Order

Select the part number from the table provided. (For example, to order a 25% duty cycle unit rated at 48 VDC, specify B75M-253-B-5.

Please see www.ledex.com (click on Stock Products tab) for our list of stock products available through our North American distributors.

Force values for reference only.

All specifications subject to change without notice.

Ledex® C Frame Size C5 — DC Operation

Part Number: C5 - XXX - B-1

All catalog products manufactured after April 1, 2006 are RoHS Compliant

Select from performance chart below

Specifications

Operation	Pull
Dielectric Strength	500 VRMS for one second
Continuous Duty Cycle	100% At 20°C ambient temperature
Intermittent Duty Cycle	See below
Coil Insulation	Class "B": 130°C max. temperature standard. Other temperature classes are available
Coil Termination	0.025 inch square pin terminals
Plunger Pole Face	60° conical
Plunger Weight	0.08 oz. (2.2 g)
Total Weight	0.42 oz. (11.9 g)
Dimensions	See page H37

Performance

Maximum Duty Cycle	100%	50%	25%	10%
Maximum ON Time (sec)	∞	145	47	14
Watts (@ 20°C)	3	6	12	30
Ampere Turns (@ 20°C)	422	564	844	1268

Coil Data

Part Number	Resistance (@20°C)	Ref # Turns	VDC (Nom)	VDC (Nom)	VDC (Nom)	VDC (Nom)
C5-273-B-1	2.88	406	3	4	6	9
C5-272-B-1	11.52	795	6	8	12	19
C5-271-B-1	25.77	1222	9	12	18	28
C5-270-B-1	48.65	1642	12	17	24	38
C5-269-B-1	72.84	1968	15	21	30	47
C5-268-B-1	152.20	2860	21	30	43	68
C5-267-B-1	191.73	3202	24	34	48	76

NOTES:

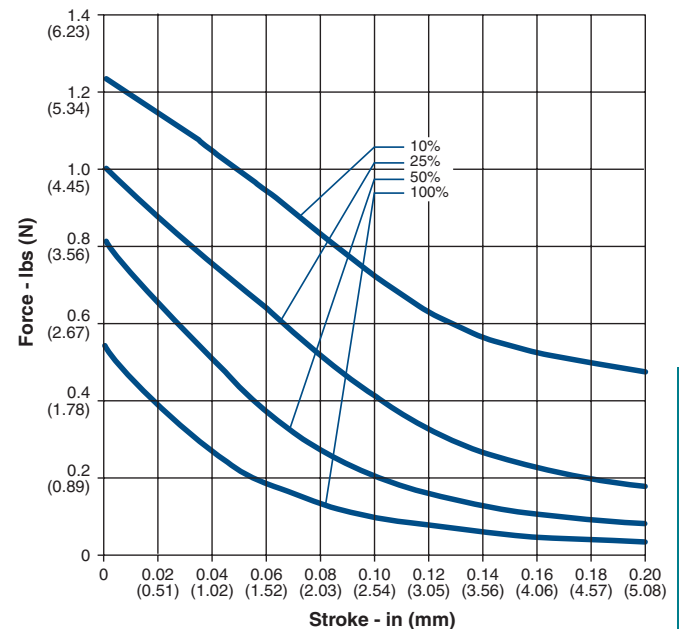
- All data is typical.
- Force testing is done with the solenoid in the horizontal position.
- All data reflects operation with no heatsink.
- Other coil terminations available.
- All specifications subject to change without notice.

- Well-suited for battery operation.



See the "Battery Operated Solenoids" section for complete information.

Force (Gross, Without Spring)



How to Order

Select the part number from the table provided. (For example, to order a 25% duty cycle unit rated at 48 VDC, specify C5-267-B-1.

Please see www.ledex.com (click on Stock Products tab) for our list of stock products available through our North American distributors.

LINEAR Open Frame

Force values for reference only.

All specifications subject to change without notice.

Ledex® C Frame Size C5-L— DC Operation

Magnetic Latching

Part Number: C5 - L - XXX - B - 1

Select from performance chart below

All catalog products manufactured after April 1, 2006 are RoHS Compliant

Specifications

Operation	Pull
Dielectric Strength	500 VRMS for one second
Unlatch Voltage	See schematic and coil data below
Magnet Hold Force*	1.29 lb (with return spring)
Coil Insulation	Class "B": 130°C max. temperature standard. Other temperature classes are available
Coil Termination	0.025 inch square pin terminals
Plunger Pole Face	Flat face with return spring (other options available upon request)
Spring Force	12.34 oz-in; 2.40 oz latched position
Plunger Weight	0.10 oz. (2.8 g)
Total Weight	0.42 oz. (11.9 g)
Dimensions	See page H37

*In no power, latched position.

Performance

Maximum Duty Cycle	Unlatch Voltage			
	50%	25%	10%	
Maximum ON Time (sec)	∞	145	47	14
Watts (@ 20°C)	3	6	12	30
Ampere Turns (@ 20°C)	422	564	844	1268

Coil Data

Part Number	Resistance (@20°C)	Ref # Turns	VDC (Nom)	VDC (Nom)	VDC (Nom)	VDC (Nom)
C5-L-273-B-1	2.88	406	3	4	6	9
C5-L-272-B-1	11.52	795	6	8	12	19
C5-L-271-B-1	25.77	1222	9	12	18	28
C5-L-270-B-1	48.65	1642	12	17	24	38
C5-L-269-B-1	72.84	1968	15	21	30	47
C5-L-268-B-1	152.20	2860	21	30	43	68
C5-L-267-B-1	191.73	3202	24	34	48	76

NOTES:

- All data is typical.
- Force testing is done with the solenoid in the horizontal position.
- All data reflects operation with no heatsink.
- Other coil terminations available.
- All specifications subject to change without notice.

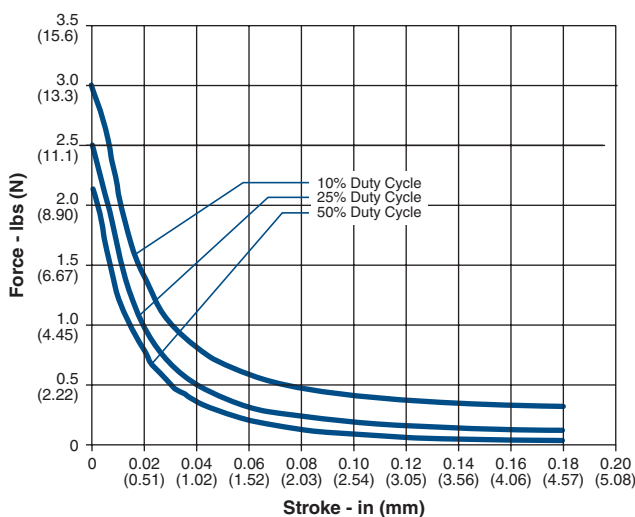
Force values for reference only.

- Well-suited for battery operation.



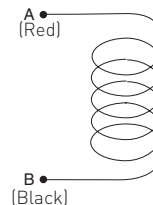
See the "Battery Operated Solenoids" section for complete information.

Force (Net, With Spring)



Coil Polarity

Latch: A+ B-
Unlatch: A- B+



How to Order

Select the part number from the table provided. (For example, to order a 25% duty cycle unit rated at 48 VDC, specify C5-L-267-B-1.

Please see www.ledex.com (click on Stock Products tab) for our list of stock products available through our North American distributors.

All specifications subject to change without notice.

Ledex® C Frame Size C8 — DC Operation

Part Number: C8 - **XXX** - M-36

All catalog products manufactured after April 1, 2006 are RoHS Compliant

Select from performance chart below

Specifications

Continuous Duty Cycle	100% at 20°C ambient temperature
Intermittent Duty Cycle	See below
Holding Force	2.24 lbs (9.96 N) at 20°C
Coil Insulation	Class "A": 105°C max. temperature standard. Other temperature classes are available
Coil Termination	3/16" QC
Plunger Weight	0.4 oz. (11.3 g)
Total Weight	1.6 oz. (45.4 g)
Dimensions	See page H38

Performance

Maximum Duty Cycle	100%	50%	25%	10%
Maximum ON Time (sec) when pulsed continuously	∞	19	9	3
Maximum ON Time (sec) for single pulse	∞	286	92	27
Watts (@ 20°C)	3.6	7	14	35
Ampere Turns (@ 20°C)	464	657	929	1470

Coil Data

Part Number	Resistance (@20°C)	Ref # Turns	VDC (Nom)	VDC (Nom)	VDC (Nom)	VDC (Nom)
C8-276-M-36	2.56	404	3.0	4.2	5.9	9.3
C8-274-M-36	23.2	1252	9.0	12.7	18.0	28.5
C8-273-M-36	9.30	752	6	8.5	12	19
C8-272-M-36	37.12	1581	12	17	24	38
C8-271-M-36	150.73	2736	24	34	48	76
C8-270-M-36	621.54	5544	48	68	96	152
C8-269-M-36	3824	15035	120	164	231	366

NOTES:

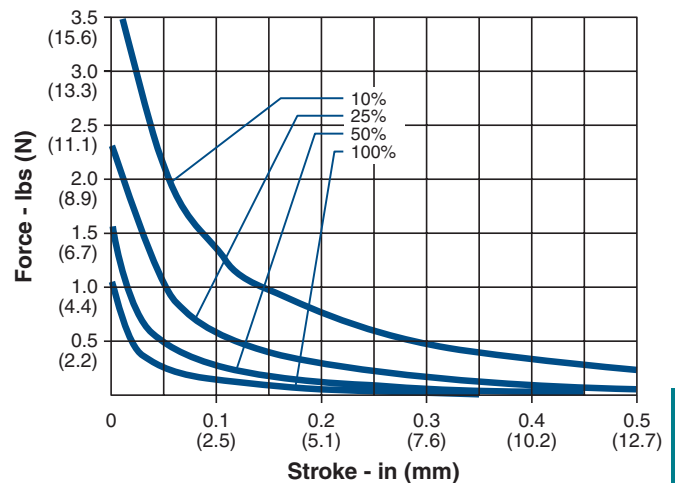
- All data is typical.
- Force testing is done with the solenoid in the horizontal position.
- All data reflects operation with no heatsink.
- Magnetic latching versions available. Pull versions standard; push versions available.
- Other coil terminations available.
- All specifications subject to change without notice.

- Well-suited for battery operation.



See the "Battery Operated Solenoids" section for complete information.

Typical Force @ 20°C



How to Order

Select the part number from the table provided. (For example, to order a 25% duty cycle unit rated at 48 VDC, specify C8-271-M-36.

Please see www.ledex.com (click on Stock Products tab) for our list of stock products available through our North American distributors.

Force values for reference only.

All specifications subject to change without notice.

Ledex® C Frame Size C9 — DC Operation

Part Number: C9 - **XXX** - A-3

All catalog products manufactured after April 1, 2006 are RoHS Compliant

Select from performance chart below

Specifications

Continuous Duty Cycle	100% at 20°C ambient temperature
Intermittent Duty Cycle	See below
Holding Force	4.4 lbs (19.6 N) at 20°C
Coil Insulation	Class "A": 105°C max. temperature standard. Other temperature classes are available
Coil Termination	Leadwires
Plunger Weight	0.8 oz. (21.8 g)
Total Weight	4.5 oz. (128.7 g)
Dimensions	See page H38

Performance

Maximum Duty Cycle	100%	50%	25%	10%
Maximum ON Time (sec) when pulsed continuously	∞	38	17	4
Maximum ON Time (sec) for single pulse	∞	497	160	42
Watts (@ 20°C)	7	14	28	70
Ampere Turns (@ 20°C)	721	1022	1444	2286

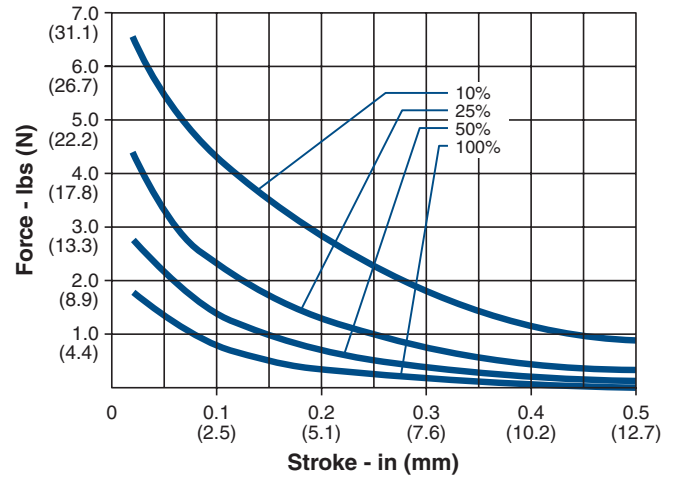
Coil Data

Part Number	Resistance (@20°C)	Ref # Turns	VDC (Nom)	VDC (Nom)	VDC (Nom)	VDC (Nom)
C9-273-A-3	5.05	648	6	8.5	12	19
C9-272-A-3	19.88	1275	12	17	24	38
C9-271-A-3	78.41	2502	24	34	48	76
C9-270-A-3	338.48	4641	48	68	96	152
C9-269-A-3	2081	11187	120	170	240	381

NOTES:

- All data is typical.
- Force testing is done with the solenoid in the horizontal position.
- All data reflects operation with no heatsink.
- Magnetic latching versions available. Pull versions standard; push versions available.
- Other coil terminations available.
- All specifications subject to change without notice.

Typical Force @ 20°C



How to Order

Select the part number from the table provided. (For example, to order a 25% duty cycle unit rated at 48 VDC, specify C9-271-A-3.

Please see www.ledex.com (click on Stock Products tab) for our list of stock products available through our North American distributors.

Ledex® C Frame Size C15 — DC Operation

Part Number: C15 - XXX - A-3

All catalog products manufactured after April 1, 2006 are RoHS Compliant

Select from performance chart below

Specifications

Continuous Duty Cycle	At 20°C ambient temperature
Intermittent Duty Cycle	See below
Holding Force	2.5 lbs (11.1 N) at 20°C
Coil Insulation	Class "A": 105°C max. temperature, standard
Coil Termination	Lead wires
Plunger Weight	0.5 oz. (14.2 g)
Total Weight	2.5 oz. (70.9 g)
Dimensions	See page H39

- Well-suited for battery operation.



See the "Battery Operated Solenoids" section for complete information.

Performance

Maximum Duty Cycle	100%	50%	25%	10%
Maximum ON Time (sec) when pulsed continuously	∞	28	11	4
Maximum ON Time (sec) for single pulse	∞	217	72	24
Watts (@ 20°C)	4.5	9	18	45
Ampere Turns (@ 20°C)	617	870	1229	1947

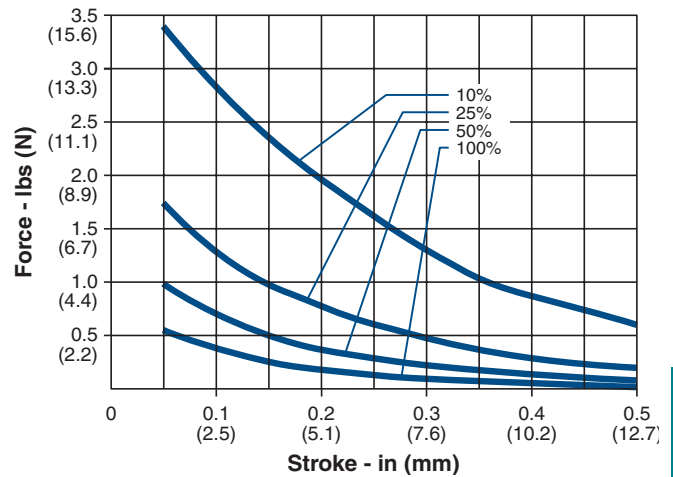
Coil Data

Part Number	Resistance (@20°C)	Ref # Turns	VDC (Nom)	VDC (Nom)	VDC (Nom)	VDC (Nom)
C15-273-A-3	7.77	855	6	8.5	12	19
C15-272-A-3	22.4	1749	12	17	24	38
C15-271-A-3	123.02	3330	24	33	48	74
C15-270-A-3	514	5985	48	68	96	152
C15-269-A-3	3106	14690	120	170	240	381

NOTES:

- All data is typical.
- Force testing is done with the solenoid in the horizontal position.
- All data reflects operation with no heatsink.
- Magnetic latching versions available. Pull versions standard; push versions available.
- Other coil terminations available.
- All specifications subject to change without notice.

Typical Force @ 20°C



How to Order

Select the part number from the table provided. (For example, to order a 25% duty cycle unit rated at 48 VDC, specify C15-271-A-3.

Please see www.ledex.com (click on Stock Products tab) for our list of stock products available through our North American distributors.

Force values for reference only.

All specifications subject to change without notice.

Ledex® C Frame Size C26 — DC Operation

Part Number: C26 - **XXX** - M-36

All catalog products manufactured after April 1, 2006 are RoHS Compliant

Select from performance chart below

Specifications

Continuous Duty Cycle	100% at 20°C ambient temperature
Intermittent Duty Cycle	See below
Holding Force	2.75 lbs (12.2 N) at 20°C
Coil Insulation	Class "A": 105°C max. temperature standard. Other temperature classes are available
Coil Termination	3/16" QC
Plunger Weight	0.5 oz. (14.2 g)
Total Weight	3.1 oz. (87.9 g)
Dimensions	See page H39

Performance

Maximum Duty Cycle	100%	50%	25%	10%
Maximum ON Time (sec) when pulsed continuously	∞	31	14	5
Maximum ON Time (sec) for single pulse	∞	554	189	56
Watts (@ 20°C)	7	14	28	70
Ampere Turns (@ 20°C)	963	1364	1926	3050

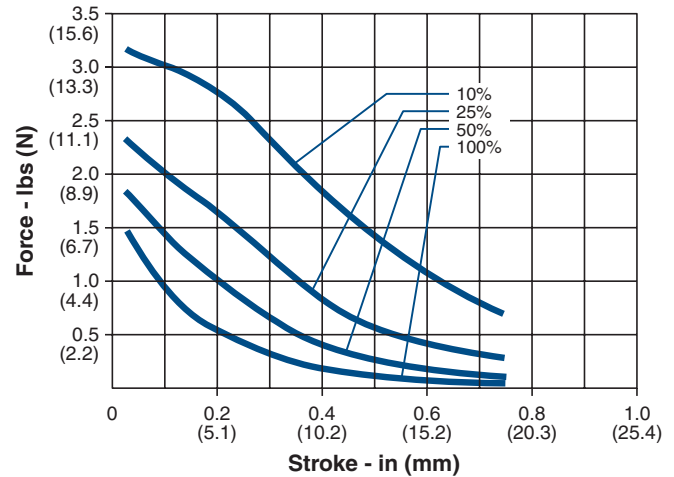
Coil Data

Part Number	Resistance (@20°C)	Ref # Turns	VDC (Nom)	VDC (Nom)	VDC (Nom)	VDC (Nom)
C26-273-M-36	5.45	874	6	8.5	12	19
C26-272-M-36	20.75	1672	12	17	24	38
C26-271-M-36	81.13	3255	24	34	48	76
C26-270-M-36	311.42	6235	48	68	96	152
C26-269-M-36	2092	14117	120	171	240	382

NOTES:

- All data is typical.
- Force testing is done with the solenoid in the horizontal position.
- All data reflects operation with no heatsink.
- Magnetic latching versions available. Pull versions standard; push versions available.
- Other coil terminations available.
- All specifications subject to change without notice.

Typical Force @ 20°C



How to Order

Select the part number from the table provided. (For example, to order a 25% duty cycle unit rated at 48 VDC, specify C26-271-M-36.

Please see www.ledex.com (click on Stock Products tab) for our list of stock products available through our North American distributors.

Ledex® C Frame Size C33 — DC Operation

Part Number: C33 - **XXX** - M- 33

All catalog products manufactured after April 1, 2006 are RoHS Compliant

Select from performance chart below

Specifications

Continuous Duty Cycle	At 20°C ambient temperature.
Intermittent Duty Cycle	See below
Holding Force	4.25 lbs (18.9 N) at 20°C
Coil Insulation	Class "A": 105°C max. temperature standard. Other temperature classes are available
Coil Termination	1/4" QC
Plunger Weight	0.5 oz. (14.2 g)
Total Weight	3.9 oz. (110.6 g)
Dimensions	See page H40

Performance

Maximum Duty Cycle	100%	50%	25%	10%
Maximum ON Time (sec) when pulsed continuously	∞	38	16	6
Maximum ON Time (sec) for single pulse	∞	379	145	38
Watts (@ 20°C)	7	14	28	70
Ampere Turns (@ 20°C)	828	1172	1656	2622

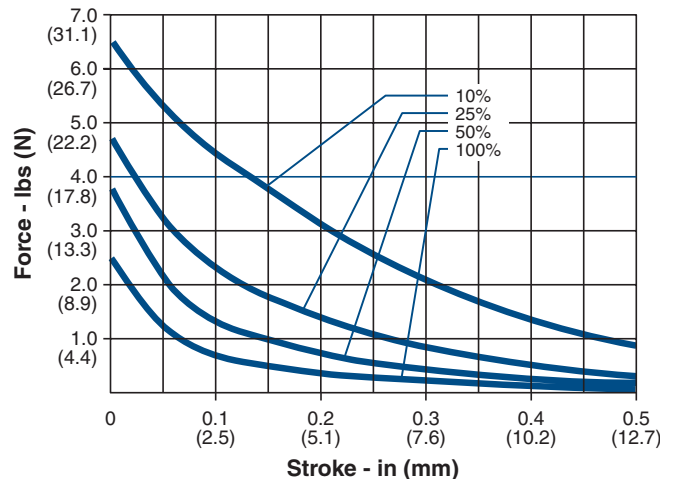
Coil Data

Part Number (Nom)	Resistance (@20°C)	Ref # Turns	VDC (Nom)	VDC (Nom)	VDC (Nom)	VDC
C33-273-M-33	5.38	747	6	8.5	12	19
C33-272-M-33	21.00	1458	12	17	24	38
C33-271-M-33	81.20	2812	24	34	48	76
C33-270-M-33	329.25	5616	48	68	96	152
C33-269-M-33	2043	13623	120	169	240	378

NOTES:

- All data is typical.
- Force testing is done with the solenoid in the horizontal position.
- All data reflects operation with no heatsink.
- Magnetic latching versions available. Pull versions standard; push versions available.
- Other coil terminations available.
- All specifications subject to change without notice.

Typical Force @ 20°C



How to Order

Select the part number from the table provided. (For example, to order a 25% duty cycle unit rated at 48 VDC, specify C33-271-M-33.

Please see www.ledex.com (click on Stock Products tab) for our list of stock products available through our North American distributors.

LINEAR Open Frame

Force values for reference only.

All specifications subject to change without notice.

Ledex® C Frame Size C34 — DC Operation

Part Number: C34 - **XXX** - M-33

All catalog products manufactured after April 1, 2006 are RoHS Compliant

Select from performance chart below

Specifications

Continuous Duty Cycle	At 20°C ambient temperature
Intermittent Duty Cycle	See below
Holding Force	6.0 lbs (26.7 N) at 20°C
Coil Insulation	Class "A": 105°C max. temperature standard. Other temperature classes are available
Coil Termination	1/4" QC
Plunger Weight	1.2 oz. (34 g)
Total Weight	6.8 oz. (192.8 g)
Dimensions	See page H40

Performance

Maximum Duty Cycle	100%	50%	25%	10%
Maximum ON Time (sec) when pulsed continuously	∞	45	20	7
Maximum ON Time (sec) for single pulse	∞	453	160	47
Watts (@ 20°C)	10	20	40	100
Ampere Turns (@ 20°C)	1188	1684	2377	3763

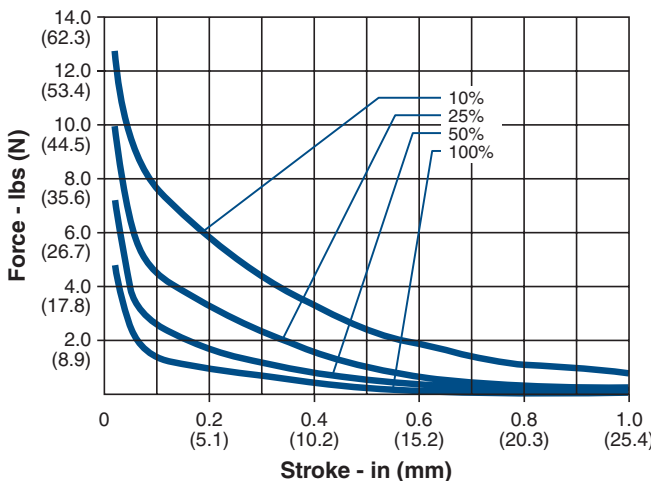
Coil Data

Part Number	Resistance (@20°C)	Ref # Turns	VDC (Nom)	VDC (Nom)	VDC (Nom)	VDC (Nom)
C34-273-M-33	3.64	632	6	8.5	12	19
C34-272-M-33	14.47	1224	12	17	24	38
C34-271-M-33	57.65	2424	24	34	48	76
C34-270-M-33	229.17	4777	48	68	96	152
C34-269-M-33	1428	11907	120	169	240	378

NOTES:

- All data is typical.
- Force testing is done with the solenoid in the horizontal position.
- All data reflects operation with no heatsink.
- Magnetic latching versions available. Pull versions standard; push versions available.
- Other coil terminations available.
- All specifications subject to change without notice.

Typical Force @ 20°C



How to Order

Select the part number from the table provided. (For example, to order a 25% duty cycle unit rated at 48 VDC, specify C34-271-M-33.

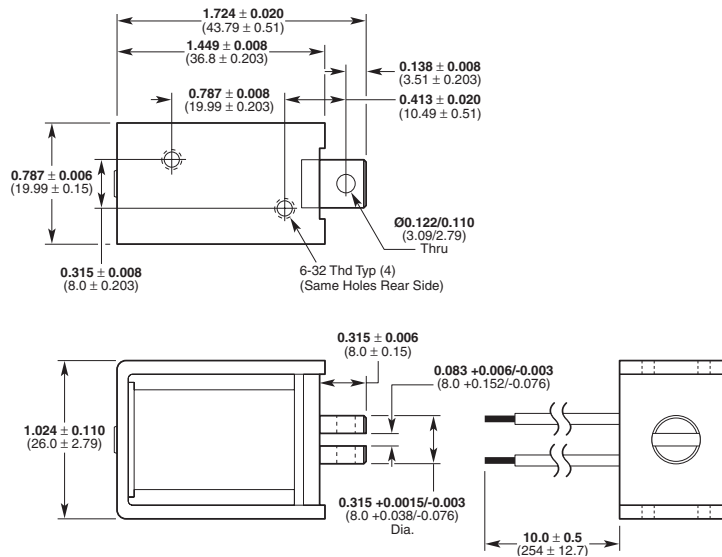
Please see www.ledex.com (click on Stock Products tab) for our list of stock products available through our North American distributors.

Ledex® Box Frame Dimensions

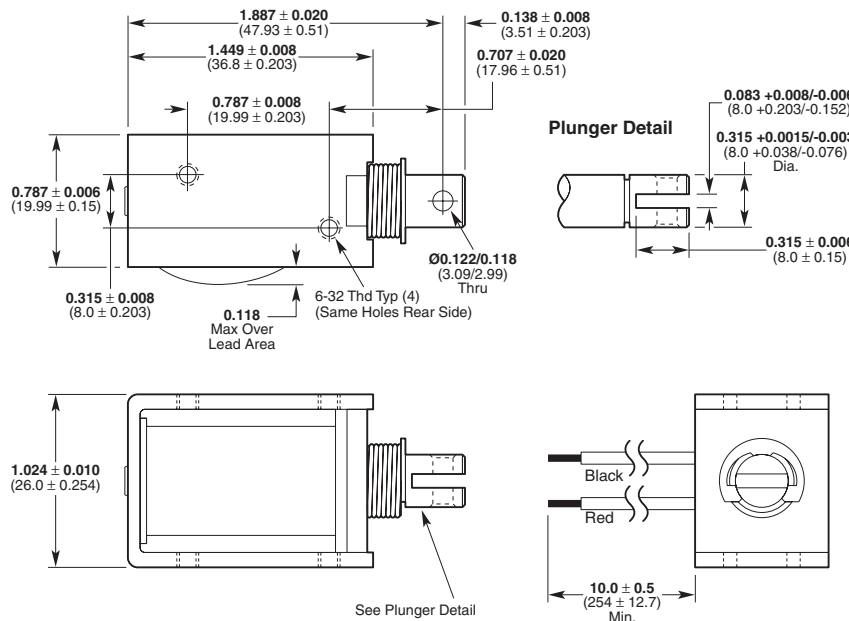
Inches (mm)

All solenoids are illustrated in energized state

B14



B14-L



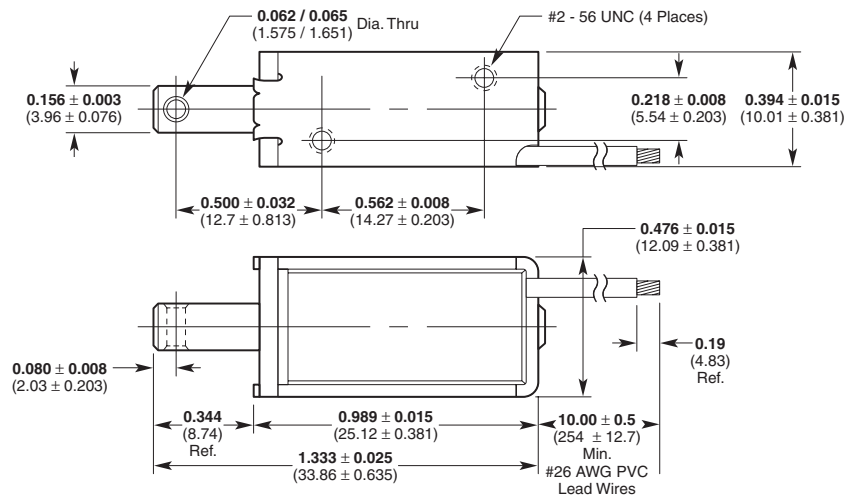
All specifications subject to change without notice.

Ledex® Box Frame Dimensions

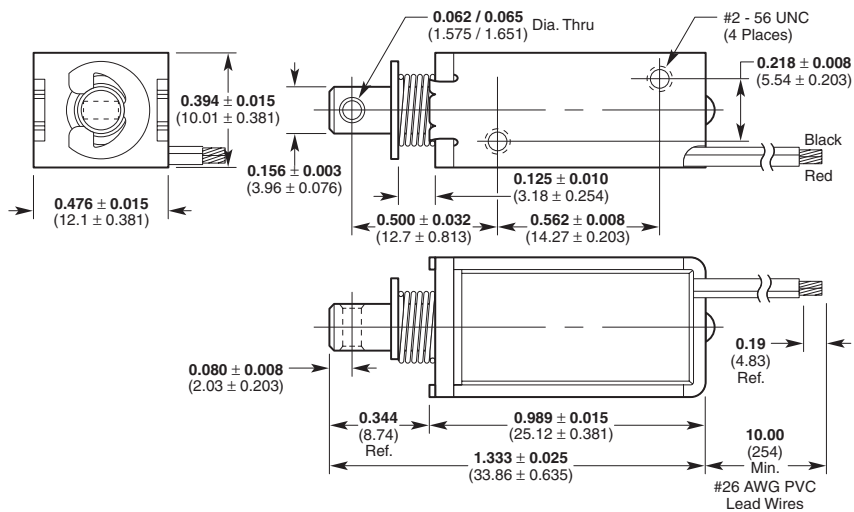
Inches (mm)

All solenoids are illustrated in energized state

B16



B16-L



LINEAR Open Frame

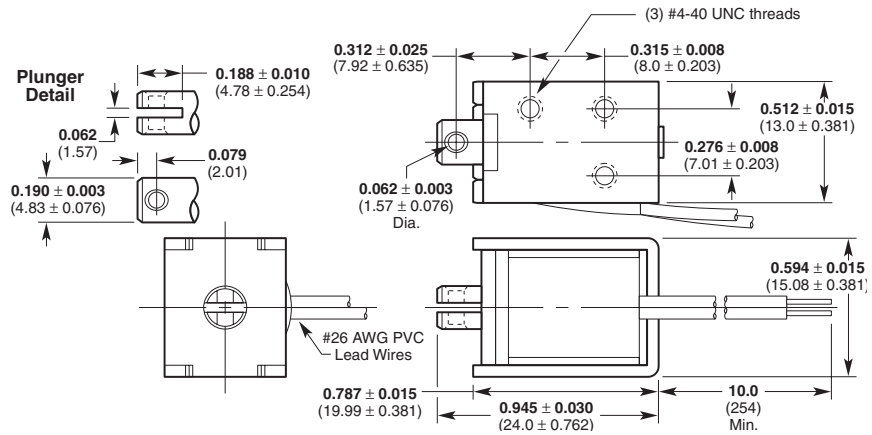
All specifications subject to change without notice.

Ledex® Box Frame Dimensions

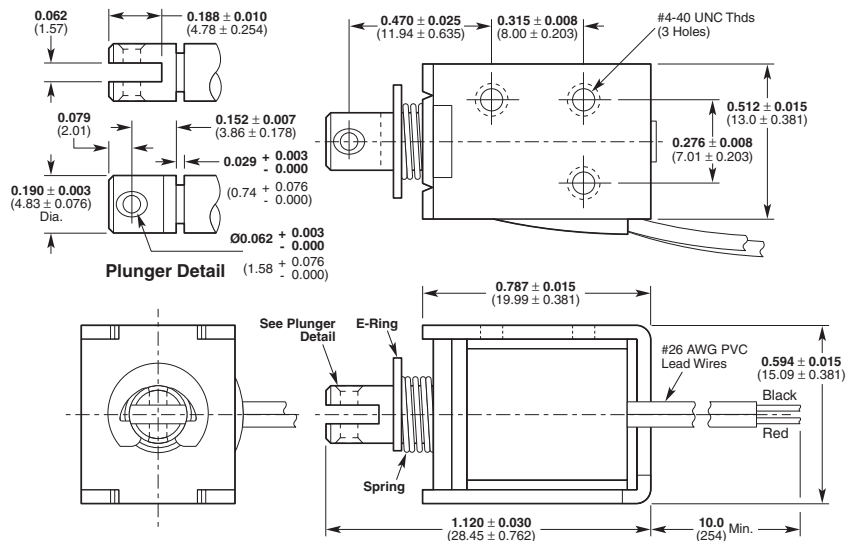
Inches (mm)

All solenoids are illustrated in energized state

B17



B17-L



LINEAR Open Frame

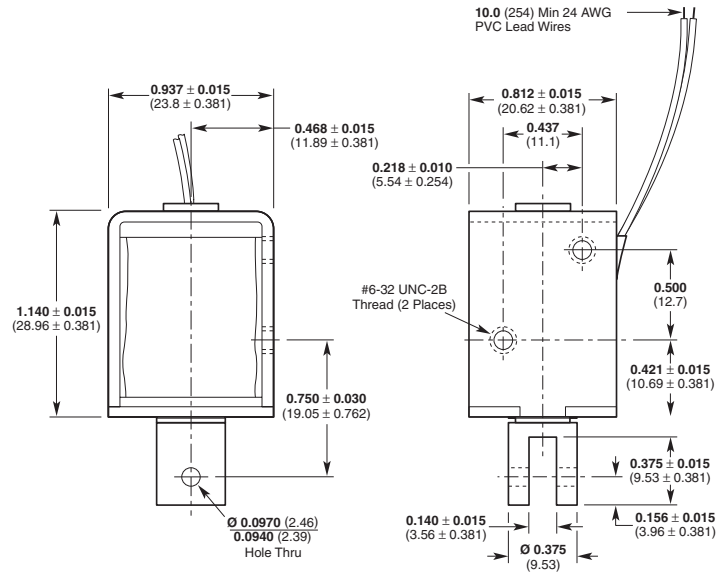
All specifications subject to change without notice.

Ledex® Box Frame Dimensions

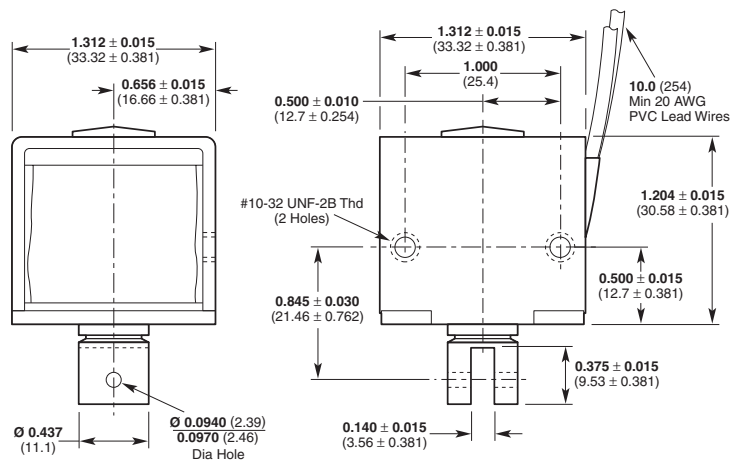
Inches (mm)

All solenoids are illustrated in energized state

B20



B21



LINEAR Open Frame

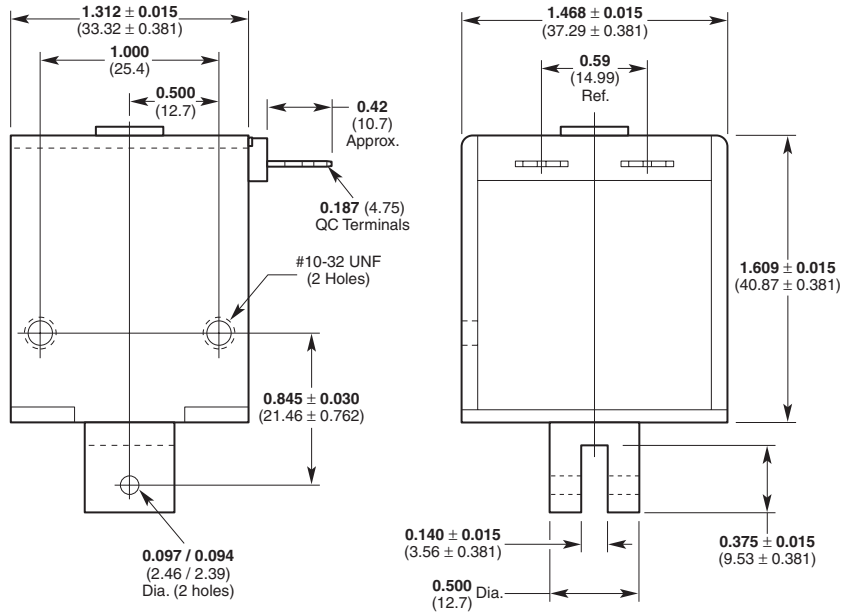
All specifications subject to change without notice.

Ledex® Box Frame Dimensions

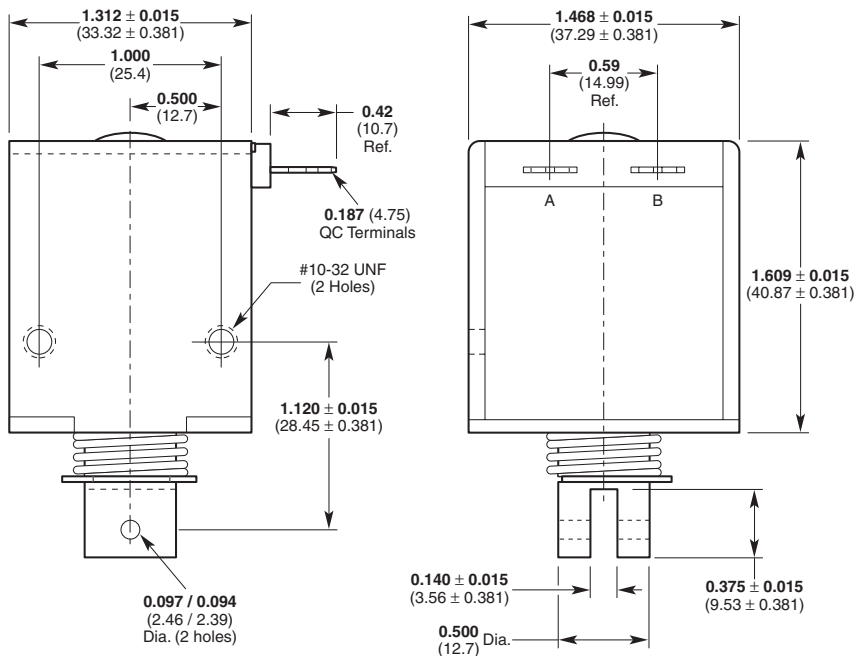
Inches (mm)

All solenoids are illustrated in energized state

B22



B22-L



LINEAR Open Frame

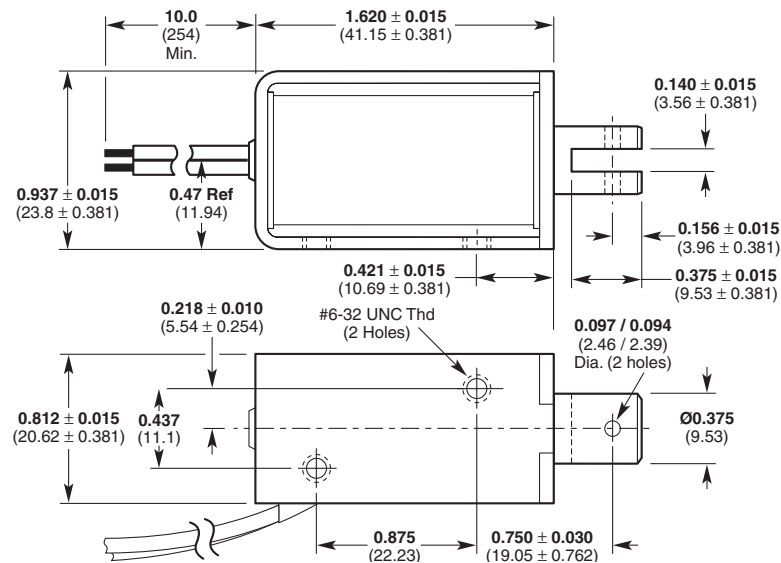
All specifications subject to change without notice.

Ledex® Box Frame Dimensions

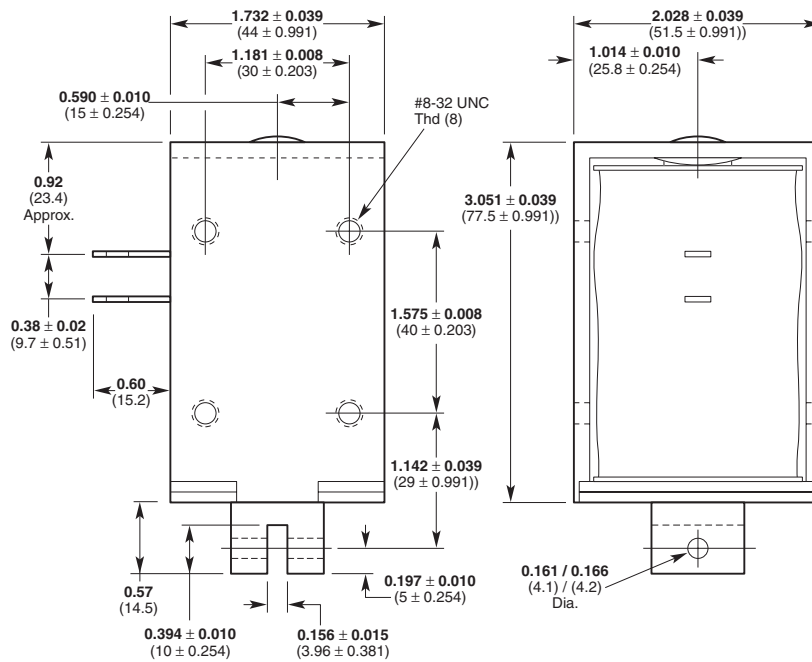
Inches (mm)

All solenoids are illustrated in energized state

B27



B41



LINEAR Open Frame

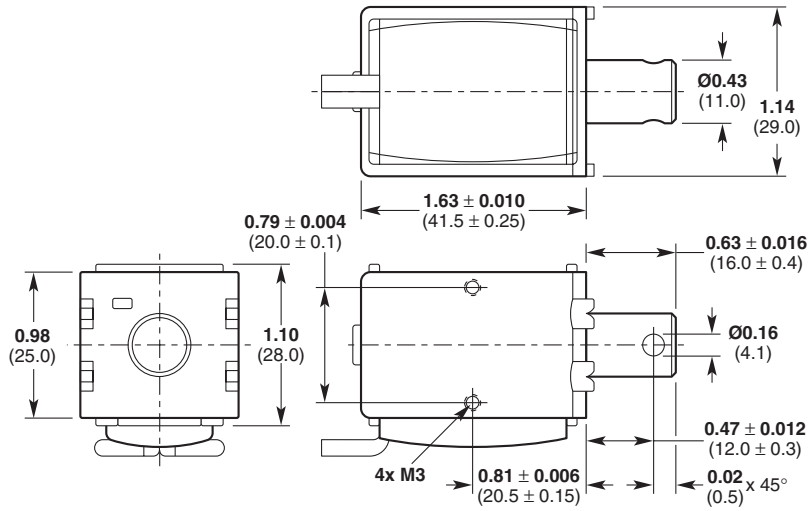
All specifications subject to change without notice.

Ledex® Box Frame Dimensions

Inches (mm)

All solenoids are illustrated in energized state

B75M



LINEAR Open Frame

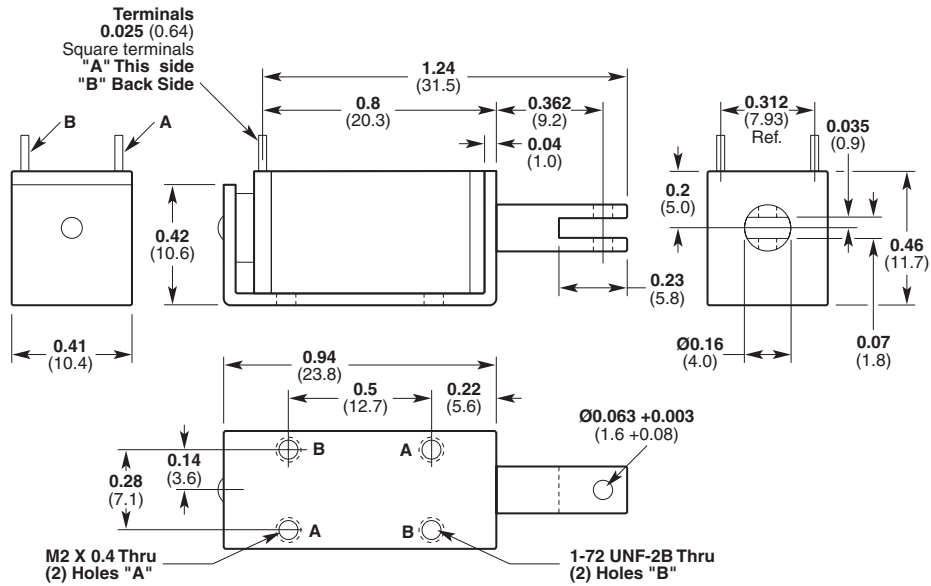
All specifications subject to change without notice.

Ledex® C Frame Dimensions

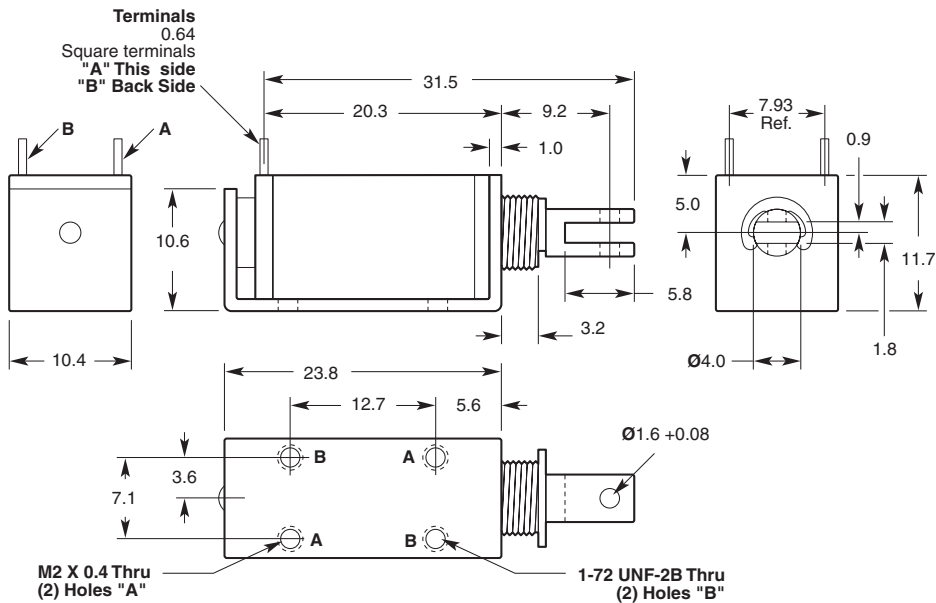
Inches (mm)

All solenoids are illustrated in energized state

C5



C5-L



LINEAR Open Frame

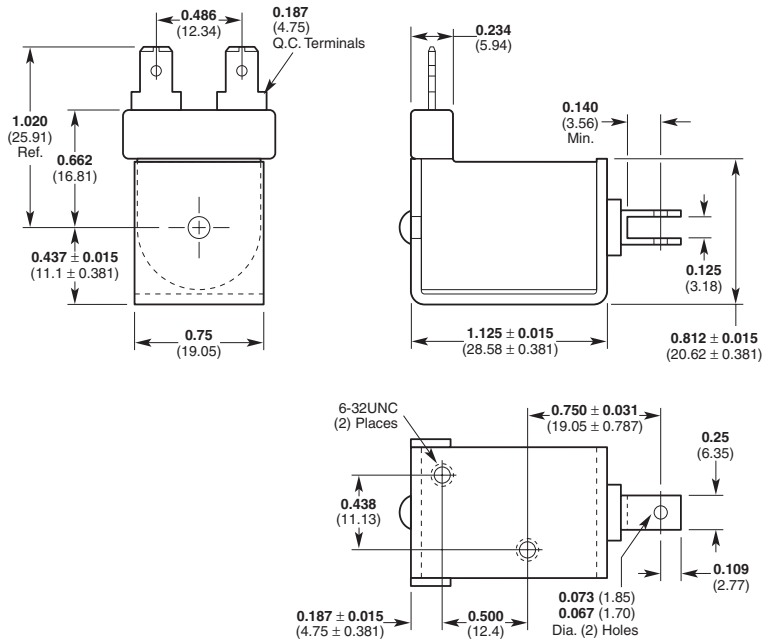
All specifications subject to change without notice.

Ledex® C Frame Dimensions

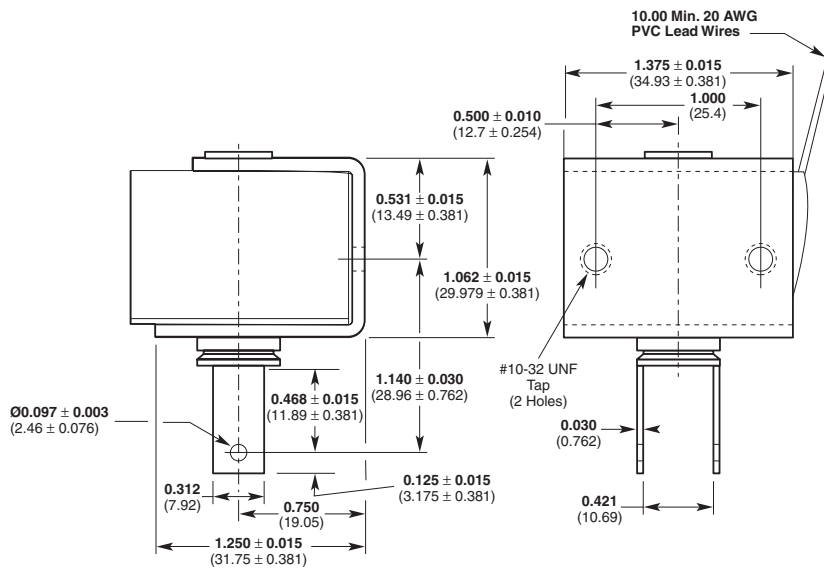
Inches (mm)

All solenoids are illustrated in energized state

C8



C9



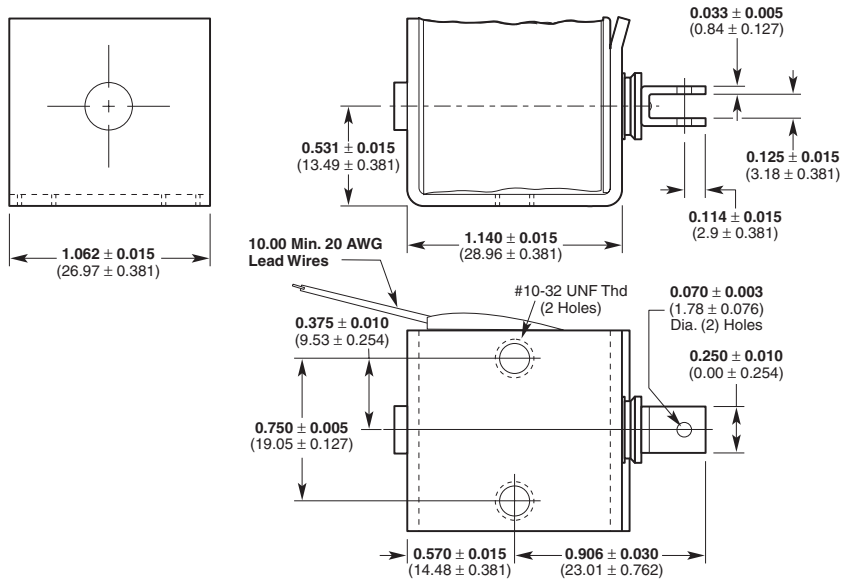
All specifications subject to change without notice.

Ledex® C Frame Dimensions

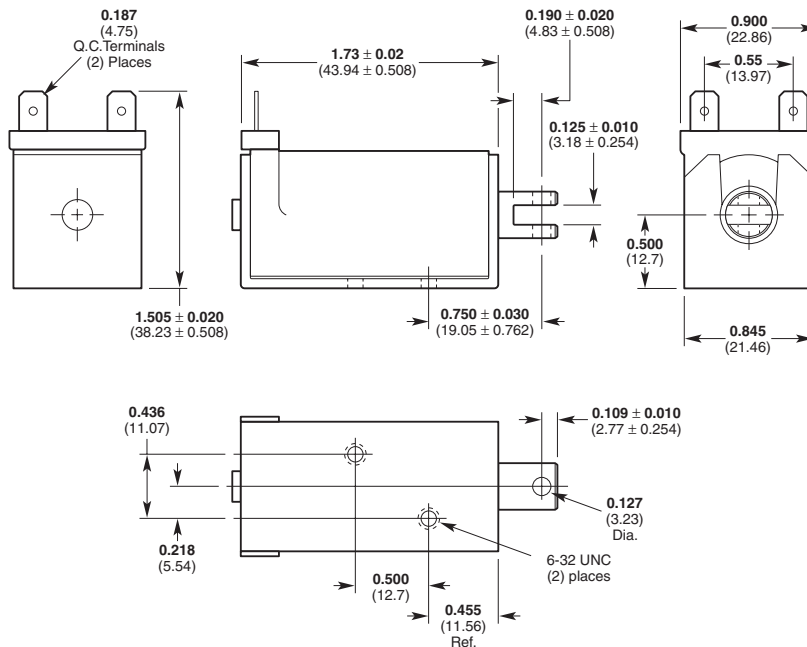
Inches (mm)

All solenoids are illustrated in energized state

C15



C26



LINEAR Open Frame

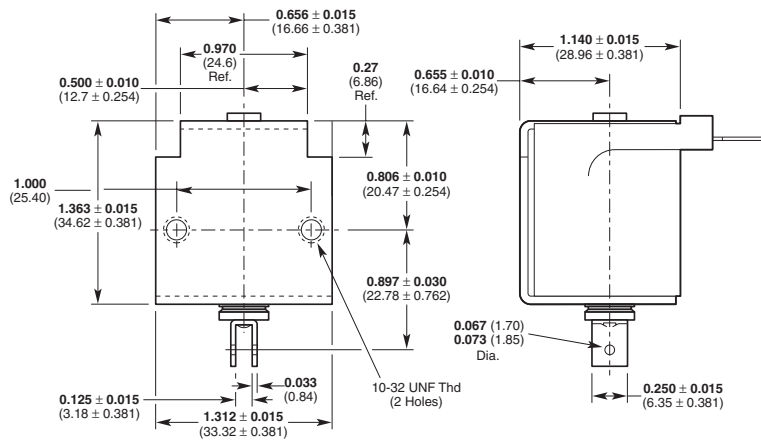
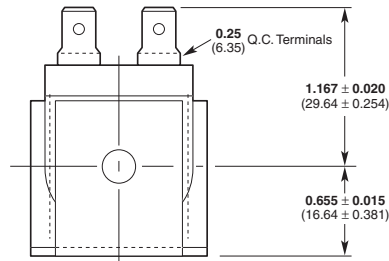
All specifications subject to change without notice.

Ledex® C Frame Dimensions

Inches (mm)

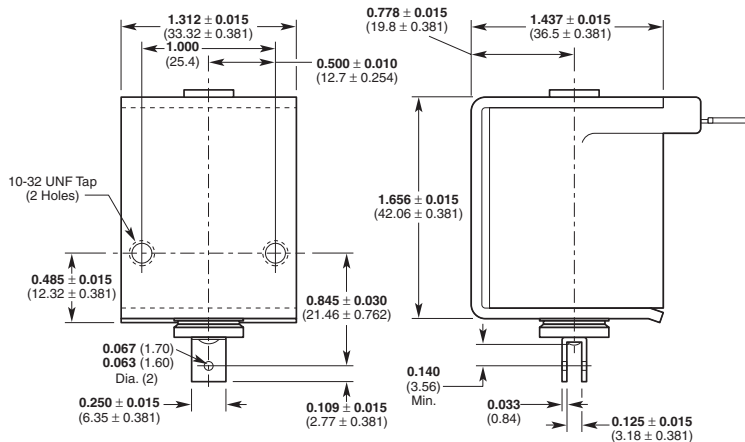
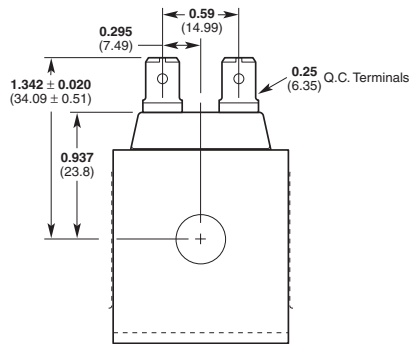
All solenoids are illustrated in energized state

C33



C34

LINEAR Open Frame



All specifications subject to change without notice.



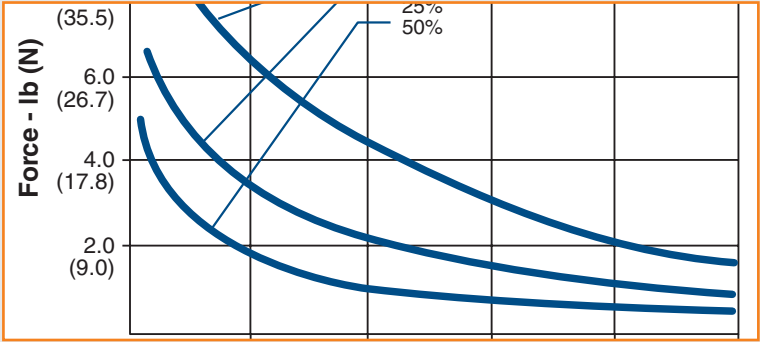
ERMEC, S.L. BARCELONA
C/ Francesc Teixidó, 22
E-08918 Badalona
(Spain)

Tel.: (+34) 902 450 160
Fax: (+34) 902 433 088
ermec@ermec.org
www.ermec.org

ERMEC, S.L. MADRID
C/ Sagasta, 8, 1ª planta
E-28004 Madrid
(Spain)

PORTUGAL
portugal@ermec.com

Ledex® Magnetic Latching Linear Solenoids



innovating motion

Ledex® Magnetic Latching Solenoids



- Designed for low duty cycle applications
- Ideal for prolonged energized position
- Well-suited for battery operation
- Tubular and open frame designs available
- Forces to 32 lbs.
- Stroke lengths to 0.6 inches

All catalog products manufactured after April 1, 2006 are RoHS Compliant

Magnetic latching solenoids are designed for low duty cycle applications where the solenoid's energized position is needed for an extended period of time.

When power is applied to the solenoid, the plunger moves to its energized position. The plunger latches magnetically in this position and remains there, consuming no power, until a negative electrical pulse is applied to allow the plunger to unlatch.

The reverse voltage applied is dependent on the load attached to the plunger but must be well below the initial energizing value.

While continuous duty, on/off solenoids tend to develop heat, magnetic latching solenoids do not since no power is consumed in the energized state.

Since magnetic latching solenoids are typically used in low duty cycle applications, they are also perfect candidates for battery operation. These products are therefore cataloged as standard as low as 3-6 volts.

Typical applications for magnetic latching solenoids include door closers, locks, latches and security devices. Almost any solenoid type can be developed as a magnetic latching version. We offer open frame and tubular varieties as catalog standard products.

Magnetic Latching Designs



STA® Tubular

In the pull type tubular design, the plunger is pulled into the solenoid coil when the coil is energized. The tubular design offers the most compact package size to force ratio and substantially longer life.



Box Frame

This solenoid has a 4-sided closed box frame and solid plunger and is, therefore, more electrically efficient than the C Frame solenoid. The closed, box frame also provides improved mechanical strength.



C Frame

C Frame solenoids consist of a formed C-shaped steel frame and solid plunger. Therefore, these solenoids are less efficient and less costly than their Box Frame counterparts.

LINEAR Magnet Latch



ERMEC, S.L. BARCELONA
C/ Francesc Teixidó, 22
E-08918 Badalona
(Spain)

Tel.: (+34) 902 450 160
Fax: (+34) 902 433 088
ermec@ermec.org
www.ermec.org

ERMEC, S.L. MADRID
C/ Sagasta, 8, 1ª planta
E-28004 Madrid
(Spain)

PORTUGAL
portugal@ermec.com

Ledex® Magnetic Latching Solenoids

Performance Curves

The performance curves in this section serve as guides to determine the solenoid size needed to produce a desired force at a given stroke, duty cycle, and power source. All curves were developed under the following standard test conditions: ambient temperature of 20°C, 65% relative humidity.

Starting Force

When determining an application's force requirement, apply a 1.5 safety factor. For example: a load requiring 0.2 lb of force should utilize a solenoid providing 0.2 x 1.5 or 0.35 lb of force.

Duty Cycle

Magnetic Latching solenoids are rated for low duty cycle applications.

Duty cycle is determined by: $\text{ON time} / (\text{ON} + \text{OFF time})$.

For example: a solenoid is actuated for 30 seconds, then off for 90 seconds.
 $30 \text{ sec ON} / (30 \text{ Sec ON} + 90 \text{ sec OFF}) = 30/120 = 1/4 \text{ or } 25\% \text{ duty cycle}$.

Note that maximum ON time for a particular application can be a factor which overrides the duty cycle rating. For example, at 25% duty cycle, the maximum ON time for a given Ledex solenoid is 36 seconds. If, however, the solenoid is operated at a cycle rate which enables the unit to return to ambient temperature between ON cycles, then the maximum ON time is extended somewhat. In the above example, this extended ON time is 44 seconds. Maximum ON time ratings are listed on the individual model specification pages.

Life

The STA® tubular design offers a life of 25,000,000 actuations. The open frame designs provide 50,000 to 100,000 actuations.

Power Requirements

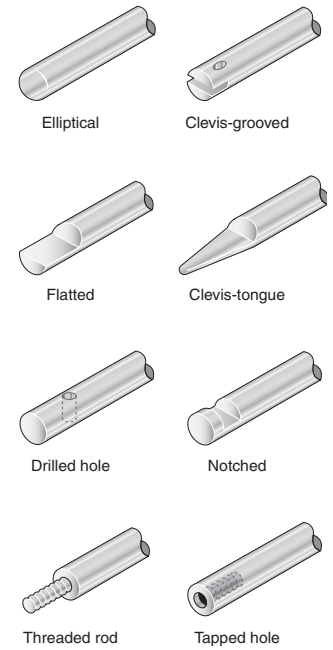
Voltage applied to the solenoid must be matched to the coil wire size for proper operation. Solenoids are typically cataloged in coil awgs ranging from #25 up to #38 to accommodate your input power. Refer to the individual model specification pages for coil wire awg recommendations. Many other coil awg sizes are available. Please feel free to contact our application engineering department for availability.

Options and Modified Designs

Even though many solenoid designs are in stock and available via distribution, our customers often require a product with unique features or performance capabilities. In fact, almost 80% of all solenoids that we make are either modified or custom built to meet our customers' exact application requirements.

So, if you don't find what you're looking for in the catalog, give us a call to discuss your needs with one of our application engineers.

Typical Examples of Custom Features



STA® Tubular Magnetic Latching Selection Overview*

Size	Solenoid Type	Package Dimension (in)		Max Stroke (in)	Nominal Stroke (in)	Force (lbs) @ Nominal Stroke and Specified Duty Cycle		
		Dia.	Length			50%	25%	10%
STA Pull 1/2" x 1/2" ●	Pull	0.52	0.62	0.15	0.075	0.25	0.48	0.75

Box Frame and C Frame Magnetic Latching Selection Overview*


Size	Frame Type	Coil Type ⁽¹⁾	Height (in)	Width (in)	Length (in)	Max. Stroke (in)	Nominal Stroke (in)	Force (lbs) @ Nominal Stroke ⁽²⁾ and 25% Duty Cycle
B14-L ●	Box	T	1.02	0.79	1.45	0.6	0.10	2
B16-L ●	Box	T	0.48	0.39	0.99	0.15	0.05	0.15
B17-L ●	Box	T	0.59	0.51	0.79	0.16	0.08	0.2
B22-L	Box	OM	1.47	1.31	1.61	0.35	0.10	3.3
C5-L ●	C	T	0.46	0.41	0.94	0.20	0.05	0.4

⁽¹⁾ OM = Overmolded T = Taped

⁽²⁾ With flat face plunger

* All data is at 20°C coil temperature. Force outputs degrade with elevated temperatures.

● Well-suited for battery operation.



See the "Battery Operated Solenoids" section for complete information.

LINEAR Magnet Latch

STA® Magnetic Latching Pull Tubular — 1/2" Dia. x 1/2"

Part Number: 151082 - X XX

All catalog products manufactured after April 1, 2006 are RoHS Compliant

Coil AWG Number
(from performance chart below)

Plunger Configurations and anti-rotation flat on mounting
 1 Flat Face plunger without anti-rotation flat on mounting
 2 60° plunger without anti-rotation flat on mounting
 5 Flat Face plunger with anti-rotation flat on mounting
 6 60° plunger with anti-rotation flat on mounting

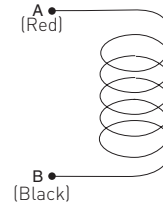
Well-suited for battery operation.



See the "Battery Operated Solenoids" section for complete information.

Coil Polarity

Latch: A+ B-
Unlatch: A- B+



Performance

	Unlatched Voltage	50%	25%	10%
Maximum Duty Cycle				
Maximum ON Time (sec) when pulsed continuously ¹	n/a	50	5	2
Watts (@ 20°C)	3	6	12	30
Ampere Turns (@ 20°C)	268	379	536	847

Coil Data

avg (0XX) ²	Resistance (@20°C)	# Turns ³	Unlatched VDC	VDC (Nom)	VDC (Nom)	VDC (Nom)
27	0.48	108	1.2	1.7	2.4	3.8
28	0.67	123	1.5	2.1	2.9	4.6
29	1.33	184	1.9	2.7	4.0	6.1
30	1.80	204	2.4	3.3	4.7	7.5
31	3.33	290	3.1	4.4	6.2	9.7
32	4.57	325	3.8	5.3	7.5	11.9
33	7.80	432	4.8	6.8	9.7	15.3
34	13.10	567	6.2	8.8	12.4	20.0
35	17.80	630	7.6	11.0	15.0	24.0
36	29.05	808	9.6	14.0	19.0	30.0
37	45.70	1008	12.2	17.0	24.0	38.0

- ¹ Continuously pulsed at stated watts and duty cycle
² Other coil awg sizes available — please consult factory
³ Reference number of turns

Specifications

Operation	Pull
Dielectric Strength	500 VRMS
Recommended Minimum Heat Sink	Maximum watts dissipated by solenoid are based on an unrestricted flow of air at 20°C, with solenoid mounted on the equivalent of an aluminum plate measuring 2" square by 1/8" thick
Unlatch Voltage	See schematic and coil data
Magnet Hold Force	7.5 oz (with return spring)
Coil Insulation	Class "B"; 130°C max. temperature standard. Other temperature classes are available.
Coil Termination	10" PVC lead wires
Plunger Pole Face	60° with return spring (other options available upon request)
Plunger Weight	0.093 oz (2.63 gms)
Spring Force	35.2 oz-in; 4.47 oz latched position
Total Weight	0.52 oz (14.74 g)
Dimensions	Ø0.52" x 0.62" L (See page I 11)

How to Order

Add the plunger configuration, anti-rotation flat number, and the coil awg number to the part number (for example: to order a 60° plunger unit without an anti-rotation flat, rated for 5 VDC at 25% duty cycle, specify 151082-250).

Please see www.ledex.com (click on Stock Products tab) for our list of stock products available through our North American distributors.

LINEAR Magnet Latch



ERMEC, S.L. BARCELONA
C/ Francesc Teixidó, 22
E-08918 Badalona
(Spain)

Tel.: (+34) 902 450 160
Fax: (+34) 902 433 088
ermec@ermec.org
www.ermec.org

ERMEC, S.L. MADRID
C/ Sagasta, 8, 1ª planta
E-28004 Madrid
(Spain)

PORTUGAL
portugal@ermec.com

Force values for reference only.

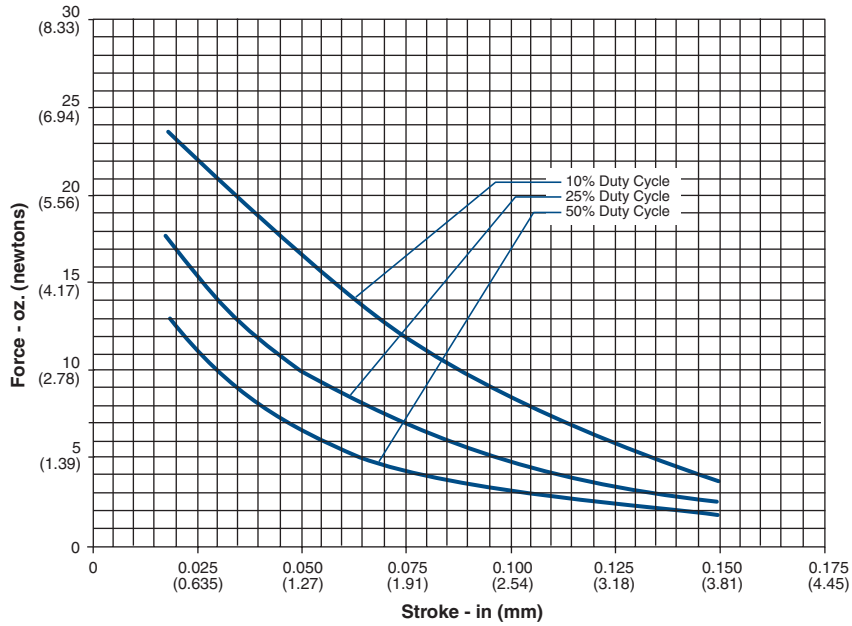
All specifications subject to change without notice.

STA[®] Magnetic Latching Pull Tubular — 1/2" Dia. x 1/2"

Pull Tubular Solenoid — 1/2" dia. x 1/2" — 60° Plunger

All catalog products manufactured after April 1, 2006 are RoHS Compliant

Typical Force @ 20°C (Net, with Spring)



LINEAR Magnet Latch



ERMEC, S.L. BARCELONA
C/ Francesc Teixidó, 22
E-08918 Badalona
(Spain)

Tel.: (+34) 902 450 160
Fax: (+34) 902 433 088
ermec@ermec.org
www.ermec.org

ERMEC, S.L. MADRID
C/ Sagasta, 8, 1ª planta
E-28004 Madrid
(Spain)

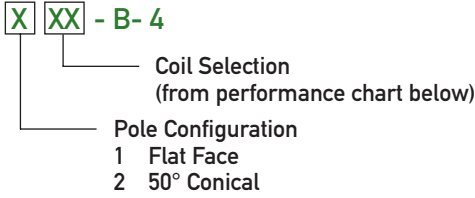
PORTUGAL
portugal@ermec.com

Force values for reference only.

All specifications subject to change without notice.

Ledex® Magnetic Latching Box Frame Size B14-L

Part Number: B14 - L - X XX - B- 4



All catalog products manufactured after April 1, 2006 are RoHS Compliant

Well-suited for battery operation. See the "Battery Operated Solenoids" section for complete information.

Specifications

Operation	Pull
Dielectric Strength	500 VRMS for one second
Unlatch Voltage	See schematic and coil data below
Magnet Hold Force*	
Flat Face:	2.10 lb (with return spring)
50° Conical:	1.25 lb (with return spring)
Coil Insulation	Class " B": 130°C max. (standard); other temperature classes available
Coil Termination	10" PVC lead wires
Spring Force	0.37 lb/in; 0.17 lb latched position
Plunger Pole Face	Flat face with return spring 50° conical with return spring (other options available)
Plunger Weight	0.50 oz (14.2 g)
Total Weight	3.38 oz (95.9 g)
Dimensions	See page I 12

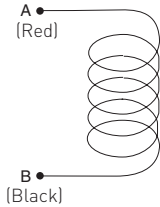
*In no power, latched position

Maximum Duty Cycle	Unlatched			
	Voltage	50%	25%	10%
Maximum ON Time (sec) when pulsed continuously	∞	100	36	7
Maximum ON Time (sec) for single pulse	∞	480	180	45
Watts (@ 20°C)	5.2	10.4	20.8	52.2
Ampere Turns (@ 20°C)	750	1060	1500	2370

Part Number	Resistance (@20°C)	Ref # Turns	Unlatch VDC		
			VDC (Nom)	VDC (Nom)	VDC (Nom)
B14-L-X58-B-4	1.93	421	3	4	6
B14-L-X55-B-4	6.90	871	6	8.5	12
B14-L-X56-B-4	17.40	1228	9	13	18
B14-L-X54-B-4	28.60	1791	12	17	24
B14-L-X53-B-4	110.00	3450	24	34	48

Coil Polarity

Latch: A+ B-
Unlatch: A- B+

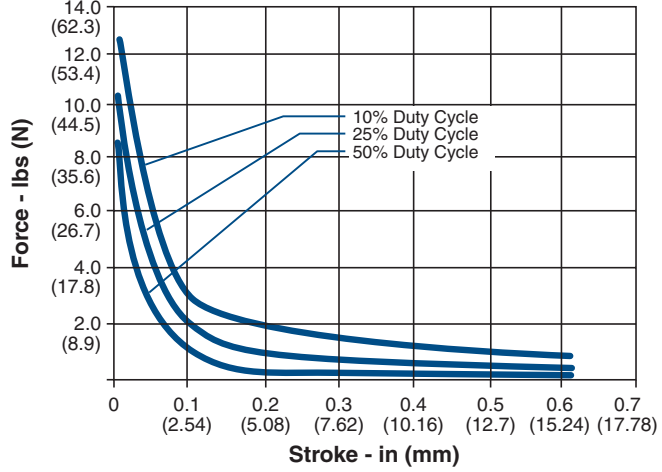


NOTES:

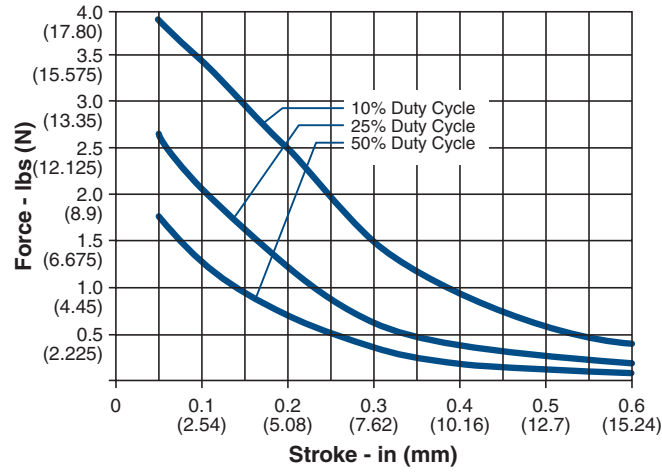
- All data is typical.
- Force testing is done with the solenoid in the horizontal position.
- All data reflects operation with no heatsink.
- Other coil terminations available.
- All specifications subject to change without notice.

Force values for reference only.

Typical Force @ 20°C – Flat Face Armature (net with spring)



Typical Force @ 20°C – 50° Conical Armature (net with spring)



How to Order

Select the part number from the table provided. (For example, to order a 25% duty cycle unit rated at 48 VDC with a 50° Conical Armature, specify B14-L-253-B-4. Please see www.ledex.com (click on Stock Products tab) for our list of stock products available through our North American distributors.

All specifications subject to change without notice.

LINEAR Magnet Latch

Ledex® Magnetic Latching Box Frame Size B16-L

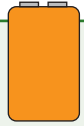
Part Number: B16 - L - X XX - B- 3

Coil Selection
(from performance chart below)

Pole Configuration
1 Flat Face

All catalog products manufactured after April 1, 2006 are RoHS Compliant

Well-suited for battery operation.



See the "Battery Operated Solenoids" section for complete information.

Specifications

Operation	Pull
Dielectric Strength	500 VRMS for one second
Unlatch Voltage	See schematic and coil data below
Magnet Hold Force*	6.5 oz. (with return spring)
Coil Insulation	Class " B": 130°C max. (standard); other temperature classes available
Coil Termination	10" PVC lead wires
Spring Force	5.44 oz/in; 1.1 oz latched position
Plunger Pole Face	Flat face (other options available)
Plunger Weight	0.08 oz. (2.46 g)
Total Weight	0.35 oz. (10.12 g)
Dimensions	See page I 12

*In no power, latched position.

Performance

Maximum Duty Cycle	Unlatched			
	Voltage	50%	25%	10%
Maximum ON Time (sec)	n/a	253	78	19
Watts (@ 20°C)	1.43	2.86	5.72	14.3
Ampere Turns (@ 20°C)	270	383	575	855

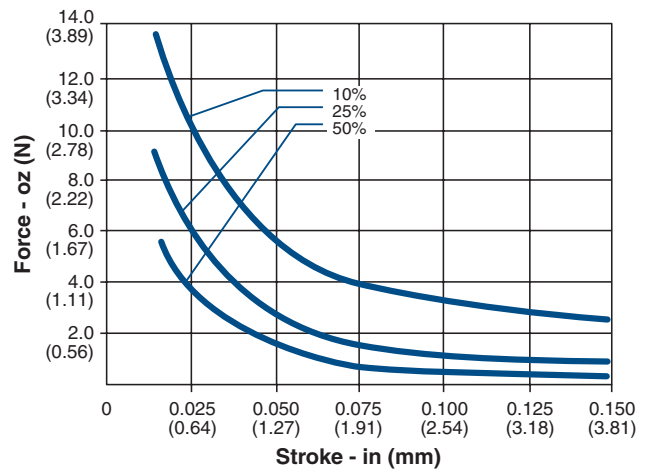
Coil Data

Part Number	Resistance (@20°C)	Ref # Turns	Unlatch VDC	VDC (Nom)	VDC (Nom)	VDC (Nom)
B16-L-158-B-3	6.35	531	3	4.3	6	9.5
B16-L-155-B-3	22.71	1100	6	8.5	12	19
B16-L-156-B-3	54.20	1644	9	12.5	17.6	27.8
B16-L-154-B-3	100.79	2035	12	17	24	38
B16-L-153-B-3	394.50	3944	24	34	48	76
B16-L-152-B-3	1630.00	9827	48	68	96	153

NOTES:

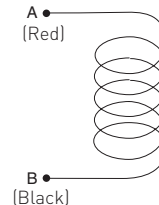
- All data is typical.
- Force testing is done with the solenoid in the horizontal position.
- All data reflects operation with no heatsink.
- Other coil terminations available.
- All specifications subject to change without notice.

Typical Force @ 20°C (Net, with Spring)



Coil Polarity

Latch: A+ B-
Unlatch: A- B+



How to Order

Select the part number from the table provided. (For example, to order a 25% duty cycle unit rated at 48 VDC, specify B16-L-153-B-3.

Please see www.ledex.com (click on Stock Products tab) for our list of stock products available through our North American distributors.



ERMEC, S.L. BARCELONA
C/ Francesc Teixidó, 22
E-08918 Badalona
(Spain)

Tel.: (+34) 902 450 160
Fax: (+34) 902 433 088
ermec@ermec.org
www.ermec.org

ERMEC, S.L. MADRID
C/ Sagasta, 8, 1ª planta
E-28004 Madrid
(Spain)

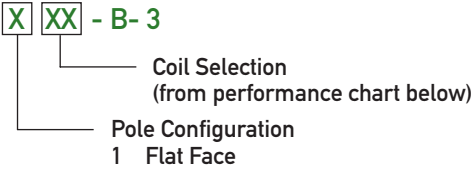
PORTUGAL
portugal@ermec.com

Force values for reference only.

All specifications subject to change without notice.

Ledex® Magnetic Latching Box Frame Size B17-L

Part Number: B17 - L - X XX - B-3



All catalog products manufactured after April 1, 2006 are RoHS Compliant

Well-suited for battery operation.



See the "Battery Operated Solenoids" section for complete information.

Specifications

Operation	Pull
Dielectric Strength	500 VRMS for one second
Unlatch Voltage	See schematic and coil data below
Magnet Hold Force*	10 oz. (with return spring)
Coil Insulation	Class "B": 130°C max. (standard); other temperature classes available
Coil Termination	10" PVC lead wires
Spring Force	35.2 oz/in; 0.33 oz latched position
Plunger Pole Face	Flat face (other options available)
Plunger Weight	0.08 oz. (2.46 g)
Total Weight	0.70 oz. (19.85 g)
Dimensions	See page I 13

*In no power, latched position.

Performance

Maximum Duty Cycle	Unlatched			
	Voltage	50%	25%	10%
Maximum ON Time (sec)	n/a	112	36	10.5
Watts (@ 20°C)	1.6	3.2	6.4	16
Ampere Turns (@ 20°C)	292	414	584	923

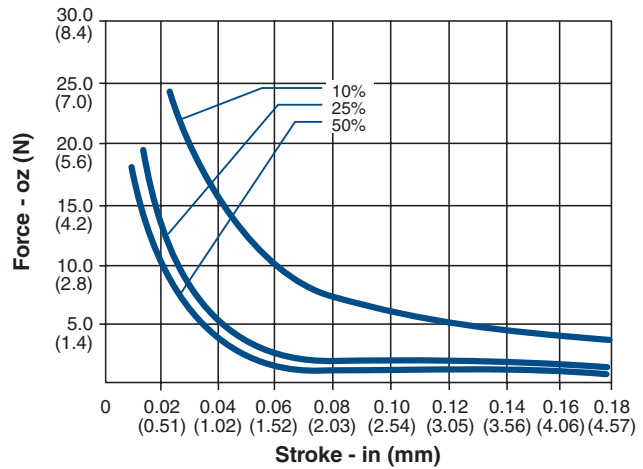
Coil Data

Part Number	Resistance (@20°C)	Ref # Turns	Unlatch VDC	VDC (Nom)	VDC (Nom)	VDC (Nom)
B17-L-158-B-3	5.40	520	3	4	6	9
B17-L-155-B-3	21.93	1112	6	8.5	12	19
B17-L-156-B-3	50.20	1624	9	12	18	28.3
B17-L-154-B-3	88.95	2219	12	17	24	38
B17-L-153-B-3	337.00	3687	24	34	48	76
B17-L-152-B-3	1465.00	9177	48	68	96	153

NOTES:

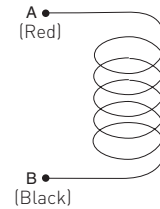
- All data is typical.
- Force testing is done with the solenoid in the horizontal position.
- All data reflects operation with no heatsink.
- Other coil terminations available.
- All specifications subject to change without notice.

Typical Force @ 20°C (Net, with Spring)



Coil Polarity

Latch: A+ B-
Unlatch: A- B+



How to Order

Select the part number from the table provided. (For example, to order a 25% duty cycle unit rated at 48 VDC, specify B17-L-153-B-3.

Please see www.ledex.com (click on Stock Products tab) for our list of stock products available through our North American distributors.

LINEAR Magnet Latch



ERMEC, S.L. BARCELONA
C/ Francesc Teixidó, 22
E-08918 Badalona
(Spain)

Tel.: (+34) 902 450 160
Fax: (+34) 902 433 088
ermec@ermec.org
www.ermec.org

ERMEC, S.L. MADRID
C/ Sagasta, 8, 1ª planta
E-28004 Madrid
(Spain)

PORTUGAL
portugal@ermec.com

Force values for reference only.

All specifications subject to change without notice.

Ledex® Magnetic Latching Box Frame Size B22-L

Part Number: B22 - L - X XX - M- 36

Coil Selection
(from performance chart below)

Pole Configuration

- 1 Flat Face
- 2 60° Conical

All catalog products manufactured after April 1, 2006 are RoHS Compliant

Specifications

Operation	Pull
Dielectric Strength	1500 VRMS for one second
Unlatch Voltage	See schematic and coil data below
Magnet Hold Force*	
Flat Face:	5.0 lb (with return spring)
60° Conical:	1.0 lb (with return spring)
Coil Insulation	Class "B": 130°C max. (standard); other temperature classes available
Coil Termination	3/16" QC
Spring Force	2.4 lb/in; 1.08 lb latched position
Plunger Pole Face	Flat face with return spring 60° with return spring (other options available)
Plunger Weight	1.24 oz. (35.2 g)
Total Weight	7.5 oz. (212.8 g)
Dimensions	See page I 13

*In no power, latched position.

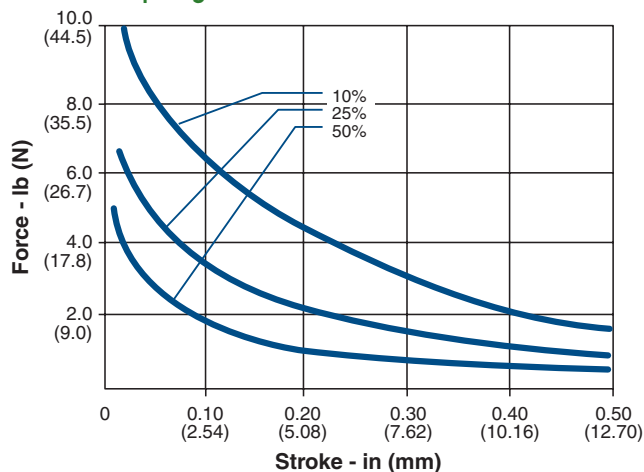
Performance

	Unlatched					
	Voltage	50%	25%	10%		
Maximum Duty Cycle	n/a	485	167	47		
Maximum ON Time (sec)	n/a	485	167	47		
Watts (@ 20°C)	9.9	19.8	39.6	99		
Ampere Turns (@ 20°C)	1046	1482	2093	3314		
Coil Data						
Part Number	Resistance (@20°C)	Ref # Turns	Unlatch VDC	VDC (Nom)	VDC (Nom)	VDC (Nom)
B22-L-X55-M-36	3.64	635	6	8.5	12	19
B22-L-X54-M-36	14.55	1300	12	17	24	38
B22-L-X53-M-36	58.18	2578	24	34	48	76
B22-L-X52-M-36	232.73	5103	48	68	96	152
B22-L-X51-M-36	1493.00	12744	120	172	240	385

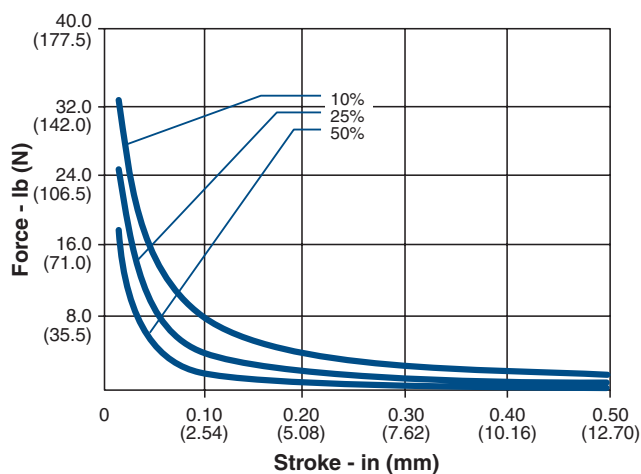
NOTES:

- All data is typical.
- Force testing is done with the solenoid in the horizontal position.
- All data reflects operation with no heatsink.
- Other coil terminations available.
- All specifications subject to change without notice.

Typical Force @ 20°C – 60° Armature (Net, with Spring)

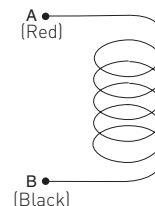


Typical Force @ 20°C – Flat Face Armature (Net, with Spring)



Coil Polarity

Latch: A+ B-
Unlatch: A- B+



How to Order

Select the part number from the table provided. (For example, to order a 25% duty cycle flat face unit rated at 48 VDC, specify B22-L-153-M-36.

LINEAR Magnet Latch

Force values for reference only.

All specifications subject to change without notice.

Ledex® Magnetic Latching C Frame Size C5-L

Part Number: C5 - L - **XXX** - B - 1

All catalog products manufactured after April 1, 2006 are RoHS Compliant


Select from performance chart below

Specifications

Operation	Pull
Dielectric Strength	500 VRMS for one second
Unlatch Voltage	See schematic and coil data below
Magnet Hold Force*	1.29 lb (with return spring)
Coil Insulation	Class "B": 130°C max. temperature standard. Other temperature classes are available
Coil Termination	0.025 inch square pin terminals
Plunger Pole Face	Flat face with return spring (other options available upon request)
Spring Force	12.34 oz-in; 2.40 oz latched position
Plunger Weight	0.10 oz. (2.8 g)
Total Weight	0.42 oz. (11.9 g)
Dimensions	See page 114

*In no power, latched position.

Well-suited for battery operation.



See the "Battery Operated Solenoids" section for complete information.

Performance

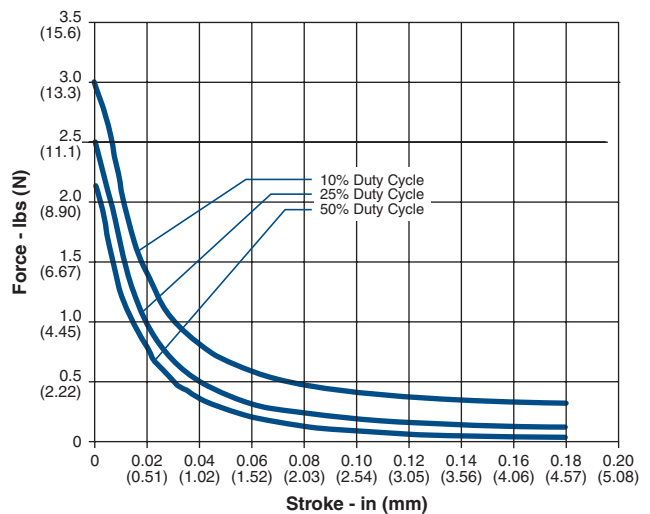
Maximum Duty Cycle	Unlatch Voltage			
	50%	25%	10%	
Maximum ON Time (sec)	∞	145	47	14
Watts (@ 20°C)	3	6	12	30
Ampere Turns (@ 20°C)	422	564	844	1268

Part Number	Resistance (@20°C)	Ref # Turns	VDC			
			(Nom)	(Nom)	(Nom)	(Nom)
C5-L-273-B-1	2.88	406	3	4	6	9
C5-L-272-B-1	11.52	795	6	8	12	19
C5-L-271-B-1	25.77	1222	9	12	18	28
C5-L-270-B-1	48.65	1642	12	17	24	38
C5-L-269-B-1	72.84	1968	15	21	30	47
C5-L-268-B-1	152.20	2860	21	30	43	68
C5-L-267-B-1	191.73	3202	24	34	48	76

NOTES:

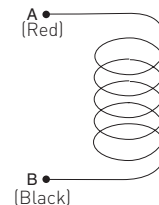
- All data is typical.
- Force testing is done with the solenoid in the horizontal position.
- All data reflects operation with no heatsink.
- Other coil terminations available.
- All specifications subject to change without notice.

Force (Net, With Spring)



Coil Polarity

Latch: A+ B-
Unlatch: A- B+



How to Order

Select the part number from the table provided. (For example, to order a 25% duty cycle unit rated at 48 VDC, specify C5-L-267-B-1.

Please see www.ledex.com (click on Stock Products tab) for our list of stock products available through our North American distributors.

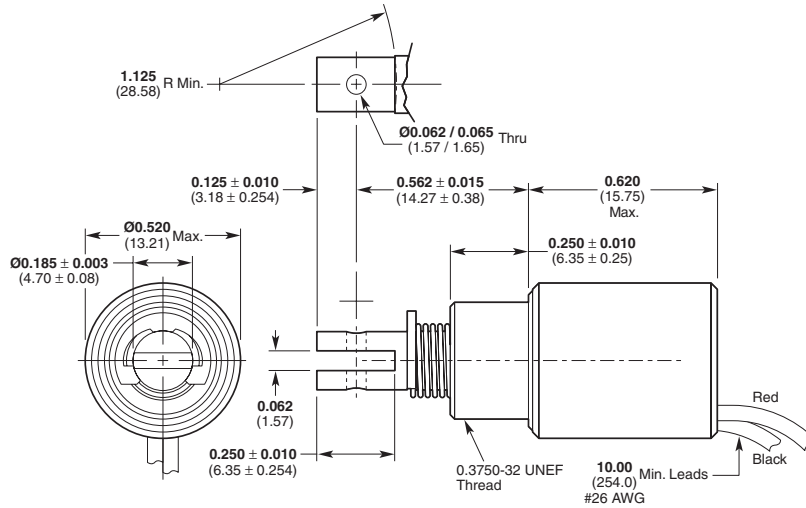
Force values for reference only.

All specifications subject to change without notice.

STA[®] Tubular Magnetic Latching Dimensions

Inches (mm)

STA[®] Series Magnetic Latching Pull — 1/2" Dia. x 1/2"



LINEAR Magnet Latch



ERMEC, S.L. BARCELONA
C/ Francesc Teixidó, 22
E-08918 Badalona
(Spain)

Tel.: (+34) 902 450 160
Fax: (+34) 902 433 088
ermec@ermec.org
www.ermec.org

ERMEC, S.L. MADRID
C/ Sagasta, 8, 1ª planta
E-28004 Madrid
(Spain)

PORTUGAL
portugal@ermec.com

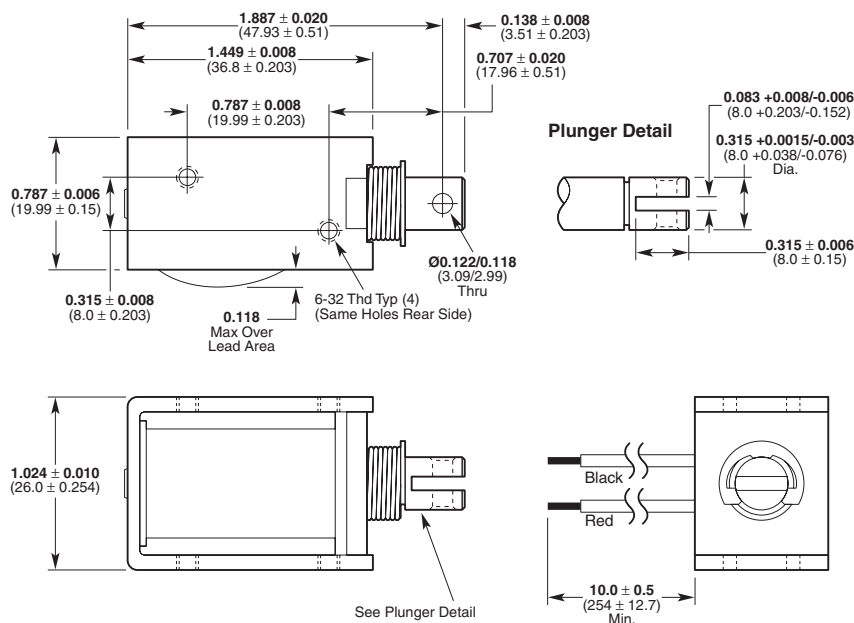
All solenoids are illustrated in energized state

All specifications subject to change without notice.

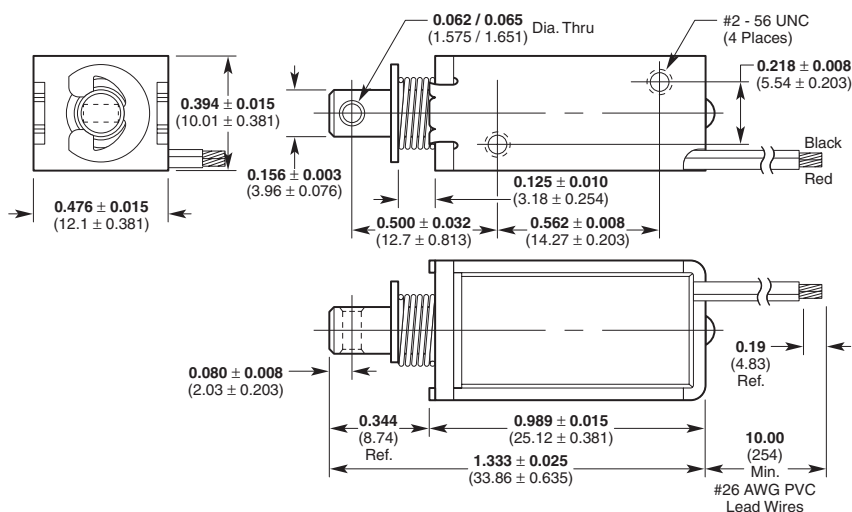
Ledex® Box Frame Magnetic Latching Dimensions

Inches (mm)

B14-L



B16-L



LINEAR Magnet Latch



ERMEC, S.L. BARCELONA
C/ Francesc Teixidó, 22
E-08918 Badalona
(Spain)

Tel.: (+34) 902 450 160
Fax: (+34) 902 433 088
ermec@ermec.org
www.ermec.org

ERMEC, S.L. MADRID
C/ Sagasta, 8, 1ª planta
E-28004 Madrid
(Spain)

PORTUGAL
portugal@ermec.com

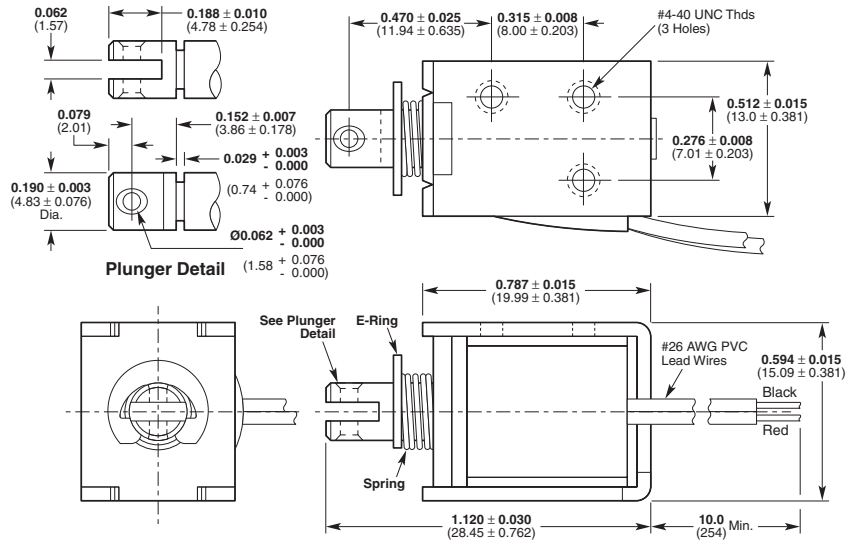
All solenoids are illustrated in energized state

All specifications subject to change without notice.

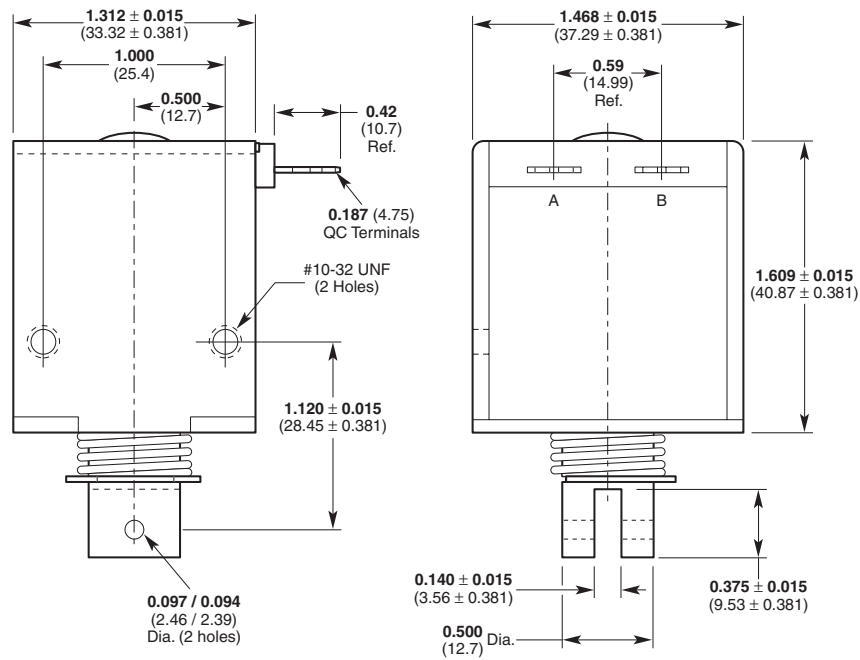
Ledex® Box Frame Magnetic Latching Dimensions

Inches (mm)

B17-L



B22-L



LINEAR Magnet Latch

All solenoids are illustrated in energized state

All specifications subject to change without notice.



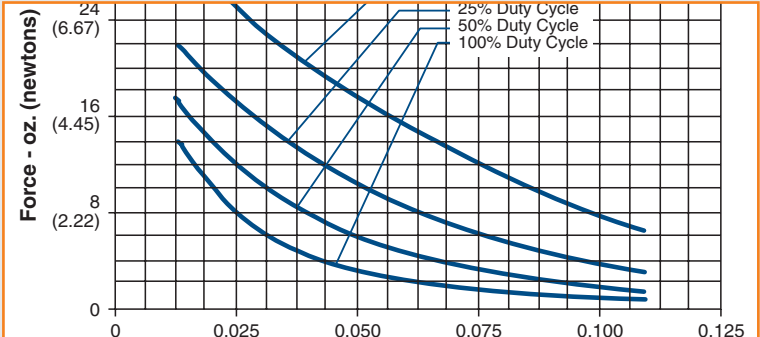
ERMEC, S.L. BARCELONA
C/ Francesc Teixidó, 22
E-08918 Badalona
(Spain)

Tel.: (+34) 902 450 160
Fax: (+34) 902 433 088
ermec@ermec.org
www.ermec.org

ERMEC, S.L. MADRID
C/ Sagasta, 8, 1ª planta
E-28004 Madrid
(Spain)

PORTUGAL
portugal@ermec.com

Ledex® Battery Operated Rotary & Linear Solenoids



innovating motion

Ledex® Battery Operated Solenoids



- Designed for intermittent duty cycle applications
- Magnetic latching models available for prolonged energised position applications
- Rotary designs available include BTA® and rotary solenoids with strokes up to 45°
- Linear designs include Soft Shift®, tubular, low profile and open frames with strokes up to 0.7 inches and force up to 3.8 lbs

Linear Solenoid Designs:



Soft Shift®

- Quiet operation
- Slow, smooth motion
- Snap action



Tubular Solenoids

- Push or pull operation
- Well-suited to lock/latch operations
- Multiple plunger design
- On/off operation

Battery Solenoid Selection

We offer many choices for battery operated Ledex® solenoids which provide a full range of specific design benefits.

Refer to the selection overview charts on page J6-8 for a complete listing of solenoids suitable for battery operation.

Selecting the appropriate solenoid in terms of force or torque and response time, the coil size (awg or resistance) must be made in conjunction with a battery set that will both provide the required length of service (number of solenoid cycles) and will provide adequate solenoid performance at the battery

voltage representing its end of life voltage.

To begin, determine the minimum voltage required for the solenoid to produce the specified force or torque for a particular coil resistance. Use this voltage to represent the end-of-life voltage of the battery set.

Refer to the manufacturer's data sheet to find the minimum, or end-of-life operating voltage per cell (typically this will be 1.0 volt for nickel cadmium and nickel metal hydride batteries). The solenoid wire size must then be selected to operate based upon this voltage times the number of cells in series.

Rotary Solenoid Designs:



BTA® Brushless Torque Actuator

- Quiet, shock-free operation
- High speed cycle rate
- Closed loop velocity
- Position control



Low Profile Solenoids

- Push/pull engagement
- High force
- Short stroke applications
- On/off operation



Rotary Solenoids

- Snap acting engagement
- Maximum versatility
- On/off operation
- Clockwise or counterclockwise



Open Frame Solenoids

- Pull-in operation
- Continuous or intermittent duty
- On/off operation

Battery Operated

NEED DESIGN HELP?

Our Application Engineers can help you decide which battery is right for your design needs using our proprietary battery calculator software.

Call us today to discuss your application requirements.



All catalogue products manufactured after April 1, 2006 are RoHS Compliant

Ledex® Battery Operated Solenoids

Solenoid Design Considerations

Life

Life ratings vary depending on the solenoid design:

Life is rated at more than 100 million cycles for BTA; up to 50 million for rotary solenoids; 10 million for Soft Shift®, 2 million for tubulars; 50,000 to 100,000 for open frame designs.

Power Requirements

Voltage applied to the solenoid must be matched to the coil wire size for proper operation. Solenoids are catalogued in coil awgs ranging from #25 up to #38 to accommodate your input power. Refer to the individual model specification pages for coil wire awg recommendations. Many other coil awg sizes are available. Please feel free to contact our application engineering department for availability.

Performance Curves

The performance curves provided for individual products are used as guides to determine the solenoid size needed to produce a desired force at a given stroke, duty cycle, and power source. All curves were developed under the following standard test conditions: ambient temperature of 20°C, 65% relative humidity.

Starting Force

When determining an application's force requirement, apply a 1.5 safety factor. For example: a load requiring 0.2 lb of force should utilise a solenoid providing 0.2 x 1.5 or 0.35 lb of force.

Duty Cycle

Battery operated solenoids are rated for intermittent duty cycle applications.

Duty cycle is determined by: $ON\ time / (ON + OFF\ time)$.

For example: a solenoid is actuated for 30 seconds, then off for 90 seconds.

$30\ sec\ ON / (30\ Sec\ ON + 90\ sec\ OFF) = 30/120 = 1/4\ or\ 25\%\ duty\ cycle.$

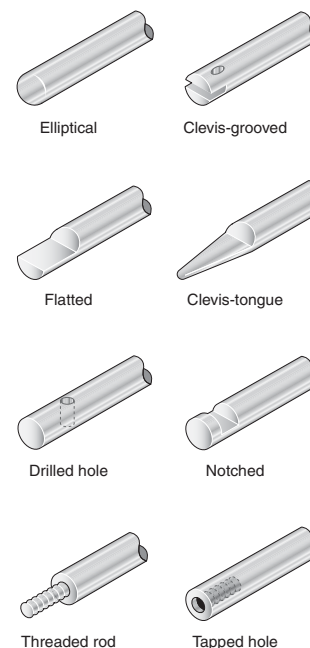
Note that maximum ON time for a particular application can be a factor which overrides the duty cycle rating. For example, at 25% duty cycle, the maximum ON time for a given Ledex solenoid is 36 seconds. If, however, the solenoid is operated at a cycle rate which enables the unit to return to ambient temperature between ON cycles, then the maximum ON time is extended somewhat. In the above example, this extended ON time is 44 seconds. Maximum ON time ratings are listed on the individual model specification pages.

Options and Modified Designs

Even though many solenoid designs are in stock and available via distribution, our customers often require a product with unique features or performance capabilities. In fact, almost 80% of all solenoids that we make are either modified or custom built to meet our customers' exact application requirements.

So, if you don't find what you're looking for in the catalogue, give us a call to discuss your needs with one of our application engineers.

Typical Examples of Custom Features



ERMEC, S.L. BARCELONA
C/ Francesc Teixidó, 22
E-08918 Badalona
(Spain)

Tel.: (+34) 902 450 160
Fax: (+34) 902 433 088
ermec@ermec.org
www.ermec.org

ERMEC, S.L. MADRID
C/ Sagasta, 8, 1ª planta
E-28004 Madrid
(Spain)

PORTUGAL
portugal@ermec.com

Ledex® Battery Operated Solenoids

Battery Powered Application Design Considerations

When applying solenoids for use in portable, remote, or back-up systems, the following considerations should be critically evaluated in the application.

- Solenoid and battery selection including capabilities and limitations
 - Calculation of battery life based on solenoid operating conditions
- Fundamentally, over the charge-lifetime of the batteries, the solenoid force and energizing response times will gradually decline as the battery energy is depleted. If the solenoid cycling time is rapid enough to cause an increase in the coil temperature, this also will cause a decrease in force and response.

Battery Selection

Basic choices for batteries are nickel cadmium (NiCD), nickel metal hydride (NiMH), lead-acid, and lithium (Li). The NiCD and NiMH batteries should be used within a temperature range of 0°C and +45°C. Li batteries should be used at +20°C to +60°C. Lead acid batteries should be used at -40°C to +60°C.

Battery manufacturers advise that certain batteries should be discharged no lower than a given value to prolong the number of useful recharge cycles of the battery, referred to as the end-of-life voltage.

Batteries have a capacity rating expressed in mAh (milliamperere-hours) to express their usable energy. Each type of battery has a recommended limit on its maximum discharge current which is expressed as a fraction or multiple of its capacity rating. For instance, a 1000 mAh battery with a recommended maximum discharge rate of 2 C should not be used at a current higher than $(2 \times 1000) = 2000$ ma. (or 2 amps). Some batteries will show a C value up to 3 which would allow currents up to 3 amps in a 1000 mAh battery.

Therefore, a battery set and solenoid selection must be such that the end-of-life battery voltage will adequately drive the solenoid, and the circuit current should not exceed the mAh rating times the C factor.

A means for reducing the battery current is to place enough batteries in series so that the resulting solenoid resistance will limit the current below the maximum C level.

Prolonged useful charge life is enhanced by reducing the discharge current even lower if possible.

Predicting Battery Charge Life

If the battery discharge rate is within the recommended limits shown on the battery data sheet, the mAh rating can be equated to the electrical energy consumed by the solenoid to compute the lifetime or number of solenoid actuations per battery charge.

As an example, consider a battery set having six size AA NiMH batteries in series which are used to drive a solenoid having a coil resistance of 4 ohms. Let the duty cycle be 75 ms 'on' and 500 ms 'off' and the capacity rating of each battery cell as 1000 mAh. (Note that with the batteries in series, each battery carries the same circuit current and the battery set capacity remains at 1000 mAh).

Computing the C Factor:

The six batteries in series gives a fresh battery voltage of 7.2 volts. The starting coil current is then 1.8 amps (from Ohm's law).

The circuit current is then $7.2 \text{ v.} / 4\Omega = 1.8$ amps (or 1800 mA). Then, $C = 1800 \text{ mA} / 1000 \text{ mAh} = 1.8$. This is lower than the manufacturer's allowable discharge rating of 2C and is therefore an acceptable battery selection.

Computing the Solenoid Pulses:

For computing the number of solenoid cycles over the charge lifetime of the batteries, use the average useful voltage of the battery set (1.2 to 1.0 volts per cell) as given by $V = 6(1.2 + 1.0) / 2 = 6.6$ volts. The battery output per solenoid pulse will

Summary of Calculation Designations:

Designation	Definition
mAh	Battery rated capacity in milliamperere-hours
C	Battery discharge rate factor as a fraction or multiple of battery rated capacity; $C = 1000 \cdot i / \text{mAh}$
V_b	Battery rated voltage x no. of cells
V_c	Battery end-of-life voltage x no. of cells
Q	Solenoid current x time per solenoid pulse; $Q = i \cdot T_{on}$ (ampere-seconds)
R	Solenoid resistance (can be factored for ambient or running temperature) in ohms.
i	Mean solenoid current as computed: $i = (V_b + V_c) / 2R$ (A)
T_{on}	On time of a solenoid pulse (seconds)
T_{off}	Off time of a solenoid pulse (seconds)
N	Number of solenoid pulses per battery charge; $N = \text{mAh} \cdot 3600 / (Q \cdot 1000)$
L	Life time per battery charge; $L = N(T_{on} + T_{off})$ (seconds).

Ledex® Battery Operated Solenoids

be $Q = 6.6v / 4 \Omega \times 0.075$
 sec. = 0.12375 amp-sec
 = 0.034375 mAh. The
 battery life is then 1000
 mAh/0.034375 mAh/pulse
 = 29090 solenoid pulses.
 Since each solenoid period
 is 75 ms + 500ms = 575
 ms (or 0.575 seconds)
 then the life time = 29090
 pulses x 0.575 sec./pulse =
 16726.75 seconds or 4.64
 hours.

Recommendations and Comments

Read the manufacturer's data sheet prior to selecting a battery type and size. Note the temperature ratings, charge and discharge limitations, and all handling and usage safety precautions.

Do not connect batteries in parallel to increase the mAh capacity. Select a larger battery size or consult with the manufacturer if an increased capacity is needed to extend the time between charging periods.

Note the manufacturer's limitation on the number of batteries placed in series.

The calculations in this section do not directly address the temperature

increase in the solenoid coil during operation. An increase in coil temperature will tend to prolong battery life but will tend to decrease the solenoid force or torque. This item may need to be addressed if the coil temperature will be significantly higher or lower than 20°C.

Battery life will be greatly improved by the use of PWM electronics if the solenoid must pull-in and then hold for a sustained time. The holding current is often much lower than the driving current if the solenoid's air gap closes at the end of the stroke. The number of solenoid cycles and lifetime per battery charge is then calculated as follows below. Refer to Figure 1 for a typical drive pulse + pwm signal.

Calculate the pwm duty cycle by $f = T_a / (T_a + T_b)$. Let T = the total time of one drive pulse + pwm time as depicted. T_{on} is the initial full power drive pulse time and T_p is the pwm signal duration.

Then,
 $Q = (V_b + V_c) / 2R \cdot (T_{on} + T_p \cdot f)$;
 $N = \text{mAh} \cdot 3600 / (Q \cdot 1000)$;
 $L = N \cdot T$.

Sample Calculation for PWM Drive & Hold Pulse

Inputs for the Equations:

Solenoid Resistance: 11.52 ohms.

Battery Set: (5) Nickel Cadmium cells in series having a capacity rating of 1000 mAh.

- $V_b = 5 \times 1.38v = 6.9$ volts (battery rated voltage).
- $V_c = 5 \times 1.2v = 6$ volts (battery end-of-life voltage).
- $T_{on} = 75$ milliseconds (0.075 sec.).
- $T_a = 5$ milliseconds (0.005 sec.; pwm on time).
- $T_b = 15$ milliseconds (0.015 sec.; pwm off time).
- $T_p = 30$ seconds (On pulse plus pwm time).
- $T = 60$ seconds (total period of a solenoid on/off cycle).

The equations for reference:

$$f = T_a / (T_a + T_b) \text{ (pwm duty cycle)}$$

$$Q = (V_b + V_c) / 2R \cdot (T_{on} + T_p \cdot f); \text{ consumed battery energy in amp-seconds.}$$

$N = \text{mAh} \cdot 3600 / (Q \cdot 1000)$; Number of cycles obtainable.

$$L = N \cdot T; \text{ Life time per battery charge (seconds)}$$

The pulse train:

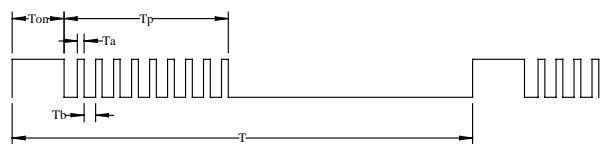


Fig.1 - PWM Drive & Hold Pulse

Then:

$$f = \frac{0.005}{(0.005 + 0.015)} = 0.25 \text{ (25\% duty cycle for hold-in)}$$

$$Q = \left(\frac{6.9 + 6}{2 \cdot 11.52} \right) (0.75 + 30 \cdot 0.25) = 4.241 \text{ amp-sec}$$

$$N = \frac{1000 \cdot 3600}{4.241 \cdot 1000} = 849 \text{ cycles (based upon 1000 mAh batteries)}$$

$$L = 849 \cdot 60 = 50,940 \text{ seconds (14.15 hours) battery life}$$

NEED DESIGN HELP?



Our Application Engineers can help you decide which battery is right for your design needs using our proprietary battery calculator software.

Call us today to discuss your application requirements.

Ledex® Battery Operated Rotary Solenoids

BTA® Selection Overview

(see Section C for complete product information)



BTA rotary, non-axial stroke actuators are a good solution for applications requiring reliable, low hysteresis operation with a good torque profile. Offering maximum design flexibility across a wide

range of stroke angles and torque requirements, the BTA actuator offers considerably more torque than comparable sized rotary actuator designs. The BTA requires only milliseconds to rotate

through its entire stroke. It can maintain this extremely fast operating speed repetitively without diminishing accuracy or repeatability, or reducing the overall life of the unit.

Size	Package Dimensions (in)		Maximum Stroke (degrees)	Gross Starting Torque (lb-in) @ Specified Duty Cycle				Gross Ending Torque (lb-in) @ Specified Duty Cycle				Page
	Dia.	Length		100%	50%	25%	10%	100%	50%	25%	10%	
2EV	1.188	0.719	45	N/A*	0.28	0.50	1.00	N/A*	0.19	0.33	0.58	C5

All data is at 20°C coil temperature.

Torque outputs degrade with elevated temperatures. Typical spring torque is 1 oz-in.

* Not recommended for 100% duty.

Rotary Solenoids Selection Overview

(see Section D for complete product information)



Elongated rotary solenoids are built with 30% more coil copper than precision standard coil solenoids for lower power consumption and excellent torque to size ratio.

Models are available in standard or long life versions: one million operations life rating for standard versions;

50 million operations or 100 million operations if lubricated every 10 million operations for long life versions.

Size/ Series	Package Dimensions (in)**			Stroke	Direction		Holding Torque (lb-in)	Available Torque*** (lb-in) @ Specified Duty Cycles					Energizing Time*** (msec) @ Specified Duty Cycles					Return Spring (lb-in)	Page
	Dia.	Length	CW		CCW	100%		50%	25%	10%	5%	100%	50%	25%	10%	5%			
1E	1.000	0.625	25°	•	•	0.3	*	0.2	0.4	0.8	1.1	12.6	9.9	7.3	5.7	4.7	0.06	D10-11	
			45°	•	•	0.2	*	0.1	0.2	0.4	0.6	19.8	14.2	10.0	7.2	6.0	0.06		
2E	1.125	0.656	25°	•	•	0.5	0.2	0.4	0.7	1.4	1.7	13.1	9.5	7.5	5.9	5.0	0.06	D12-13	
			35°	•	•	*	0.2	0.3	0.5	1.1	1.3	*	*	*	*	*	*		
			45°	•	•	0.3	0.1	0.2	0.4	0.7	0.9	23.2	15.0	11.0	8.4	7.0	0.06		

All data is at 20°C coil temperature. Torque outputs degrade with elevated temperatures.

* Consult factory.

** Without armature cover

*** Torque values and energizing times shown are for standard life. Long life models provide approximately 10% less torque, but offer 5 to 10 times longer life

NEED DESIGN HELP?

Our Application Engineers can help you decide which battery is right for your design needs using our proprietary battery calculator software.

Call us today to discuss your application requirements.



Ledex® Battery Operated Linear Solenoids

Soft Shift® Selection Overview

(see Section E for complete product information)



Soft Shift solenoids have a unique construction which allows easy transition from snap action to velocity controlled.

Using the same power, starting force is three to five times higher than standard solenoids at the fully de-energised position.

This is advantageous for starting inertial loads or detented mechanisms, and for conserving electrical power.

Size	Package Dimensions (in)		Maximum Stroke (in)	Force (lbs) @ Maximum Stroke and Specified Duty Cycle				Page
	Dia.	Length		100%	50%	25%	10%	
2EP	1.125	0.996	0.16	1.0	1.4	2.0	3.8	E5

All data is at 20°C coil temperature. Force outputs degrade with elevated temperatures.

STA® Tubular Selection Overview

(see Section F for complete product information)



In the pull type tubular design, the plunger is pulled into the solenoid coil when the coil is energised. In Push type solenoids, the same is true, however, the plunger has

a shaft extension which then pushes out through a hole in the end of the solenoid case. Please note, however, that the magnetic field cannot

be reversed to cause the opposite action to occur.

The tubular design offers the most compact package size to force ratio and very long life.

Size	Solenoid Type	Package Dimension (in)		Max Stroke (in)	Nominal Stroke (in)	Force (lbs) @ Nominal Stroke and Specified Duty Cycle				Page
		Dia.	Length			100%	50%	25%	10%	
STA 1/2" x 1/2"	Pull	0.52	0.55	0.10	0.05	0.18	0.30	0.50	1.0	F6-7
STA 1/2" x 1/2"	Pull- Latching	0.52	0.62	0.15	0.075	N/A	0.25	0.48	0.75	F8-9
STA 1/2" x 1/2"	Push	0.52	0.55	0.10	0.05	0.08	0.18	0.25	0.6	F10-11
STA 1/2" x 1"	Pull	0.52	1.05	0.50	0.10	0.19	0.31	0.56	1.00	F12-13
STA 1/2" x 1"	Push	0.52	1.05	0.50	0.10	0.13	0.25	0.48	0.94	F14-15
STA 3/4" x 1-1/2"	Pull	0.77	1.55	0.70	0.20	0.50	1.00	1.63	2.69	F16-17
STA 3/4" x 1-1/2"	Push	0.77	1.55	0.70	0.20	0.38	0.80	1.50	2.75	F18-19

All data is at 20°C coil temperature. Force outputs degrade with elevated temperatures.

NEED DESIGN HELP?

Our Application Engineers can help you decide which battery is right for your design needs using our proprietary battery calculator software.

Call us today to discuss your application requirements.



Ledex® Battery Operated Linear Solenoids

Low Profile Selection Overview

(see Section G for complete product information)



The low profile shape, besides contributing to smaller size, optimises the magnetic flux paths for maximum force versus stroke characteristics.

The construction of the plunger assembly provides an auxiliary flux path which permits a significant increase in force.

Size*	Package Dimensions		Max Stroke (in)	Nominal Stroke (in)	Force (lbs) @ Nominal Stroke at Specified Duty Cycle @ 20°C				Page
	Dia.	Length			100%	50%	25%	10%	
OEC	0.750	0.500	0.150	0.060	0.19	0.44	0.94	2.06	G5
1EC	1.000	0.530	0.240	0.080	0.25	0.50	1.25	3.20	G6
2EC	1.125	0.580	0.240	0.100	0.25	1.00	2.00	3.75	G7

All data is at 20°C coil temperature. Force outputs degrade with elevated temperatures.

* EC sizes have conical face plungers.

Open Frame Selection Overview

(see Section H for complete product information)



Box Frame

This solenoid has a 4-sided closed box frame and solid plunger and is, therefore, more electrically efficient than the C Frame solenoid. The closed, box frame also provides improved mechanical strength.



C Frame

C Frame solenoids consist of a formed C-shaped steel frame and solid plunger. Therefore, these solenoids are less efficient and less costly than their Box Frame counterparts.

Size	Frame Type	Coil Type*	Height (inches)	Width (inches)	Length (inches)	Max. Stroke (inches)	Nominal Stroke (inches)	Typical Force (lbs)		Page
								Nominal Stroke and 100% Rated Voltage @ 100% Duty	25% Duty	
B14	Box	T	1.02	0.79	1.45	0.60	0.20	0.5	1.9	H8
B14-L	Box - Latching	T	1.02	0.79	1.45	0.6	0.10	-	2	H9
B16	Box	T	0.48	0.39	0.99	0.15	0.05	0.1	0.3	H10
B16-L	Box - Latching	T	0.48	0.39	0.99	0.15	0.05	-	0.15	H11
B17	Box	T	0.59	0.51	0.95	0.18	0.05	0.2	0.6	H12
B17-L	Box - Latching	T	0.59	0.51	1.12	0.16	0.08	-	0.3	H13
B20	Box	T	0.94	0.81	1.14	0.50	0.25	0.1	0.4	H14
B75M	Box	T	1.10	1.00	1.63	0.60	0.20	1.1	3.4	H20
C5	C	T	0.46	0.41	0.94	0.20	0.05	0.7	0.2	H21
C5-L	C - Latching	T	0.46	0.41	0.94	0.20	0.05	-	0.4	H22
C8	C	OM	0.81	0.75	1.13	0.50	0.25	0.05	0.3	H23
C15	C	T	1.00	1.06	1.14	0.50	0.25	0.1	0.6	H25

* OM = Overmolded; T = Taped

All data is at 20°C coil temperature. Force outputs degrade with elevated temperatures.

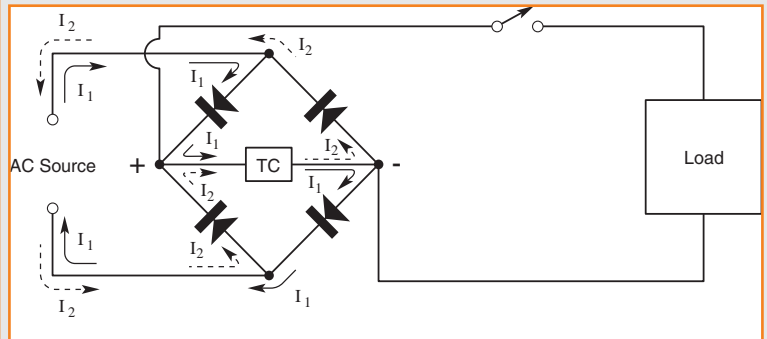
NEED DESIGN HELP?

Our Application Engineers can help you decide which battery is right for your design needs using our proprietary battery calculator software.

Call us today to discuss your application requirements.



Ledex[®] Drive Electronics and Coil Suppressors



Ledex® Coil Suppressors

A voltage is generated by a changing magnetic field in proximity to a current-carrying member. The equation $E = -N \frac{d\phi}{dt}$, describes this by saying that the magnitude of the voltage is proportional to the number of turns (N), i.e., of a coil, and the rate of change of a magnetic field. This theory can be easily demonstrated by hooking a coil of wire to a voltmeter and passing a magnet through it. It can be observed that the faster the magnet moves, the higher the voltage. Essentially, the same theory applies when making a generator.

Reading the equation the other way suggests that if a voltage is applied to a coil of wire, a change in the magnetic field will occur; i.e., before the voltage is applied, no field exists. Applying a voltage will cause a field to be generated, which will be maintained as long as the voltage is applied. When the voltage is removed, the field must dissipate.

Nearly everyone is familiar with spark plugs in gasoline engines. A spark is generated due to a voltage between the contacts which is higher than the dielectric strength of air (which has a dielectric strength of approximately 40 volts/mil). If a spark plug is gapped at 0.025", a voltage of $25 \times 40 = 1,000$ volts would be necessary to create a dielectric breakdown (spark).

How is more than 1,000 volts generated from a 12-volt automobile battery? A coil is charged with 12 volts, and when that voltage is removed, a voltage is created which is dissipated across the gap of the spark plug.

This is similar to the operation of a solenoid, except the voltage generated is not useful in a typical solenoid circuit. In most cases, voltages of that great a magnitude would be damaging if not correctly suppressed. Damage can appear as a transfer of material, to welding of hard contacts, to destruction of the switching transistors junction, to even causing a dielectric breakdown of the coil insulation.

Ledex coil suppressors minimize contact arcing and suppress the reverse voltage transient to safe levels to protect semiconductor switches. Coil suppressors should be used with all DC solenoid and relay coils to protect associated circuitry and to aid in minimizing electromagnetic interference (emi).

Note in Figure 1 that switching on the AC side of the rectifier also slows the drop-out time of a solenoid which is advantageous for improved life of the solenoid. If drop-out time is critical, the solenoid must be switched on the DC side and a high-speed coil suppressor should be connected across the solenoid coil.

Refer to Figure 2, which shows a typical coil suppressor connection noting the polarities of the power source and suppressor.

Coil suppressors are designed for operation from -55°C to 80°C , with special models designed for 125°C incorporating JAN-rated electronic components.



Figure 1. Switching on AC Side

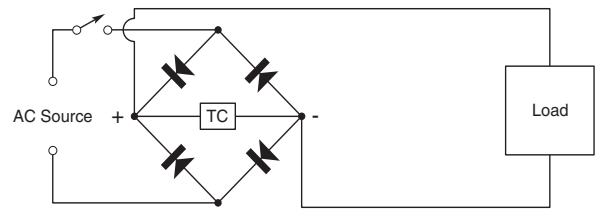
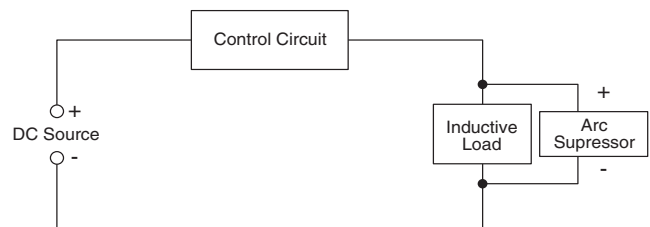


Figure 2. Coil Suppressor Connection



Oscilloscope trace depicting coil suppression



LEFT: Typical trace with capacitor as coil suppressor when 28 volt pulse to inductive load is interrupted. Collapsing magnetic field can generate a spike in excess of 350 volts. Spikes can short capacitors, cause coil burnout or damage other circuit components.



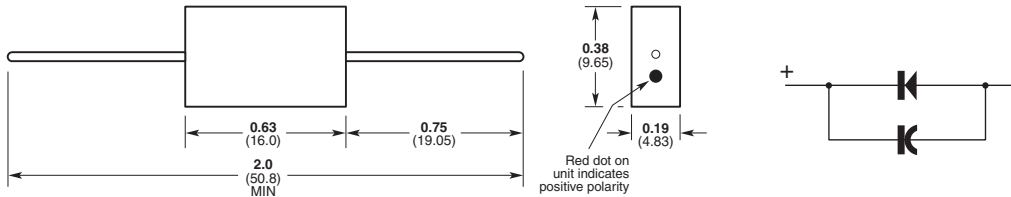
RIGHT: Same inductive load interrupted under identical conditions, but with coil suppressor No. 122654-001 connected in parallel with coil. Results:

- Eliminate arcing
- Extended contact life
- Minimize transients
- Protects other circuit components

Ledex[®] Coil Suppressors

Diode/Capacitor Design

Use Type A diode/capacitor designs when the lowest peak reverse voltage is required and when highest operating speed is not necessary.



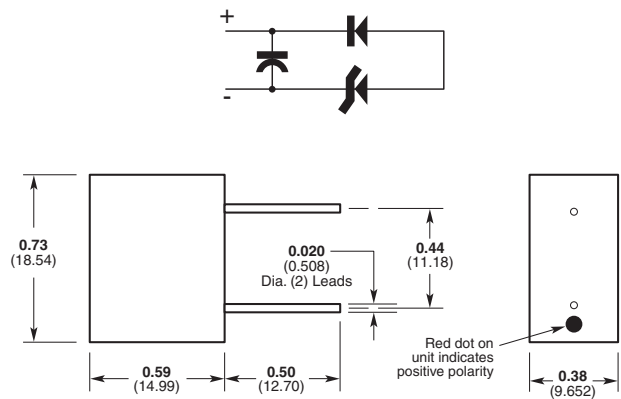
Type A

Part Number 122654-001 (not RoHS Compliant)

Part Number 122655-001 (not RoHS Compliant)

Diode/Capacitor/Zener Design

Use these models when highest operating speed is required and when lowest peak reverse voltage rating is not necessary.



Type C

Part Number 190805-001

Part Number 190810-001

Coil Suppressor Type (not RoHS Compliant)	Maximum Operating Voltage	PIV Peak Inverse Voltage (VDC)	Use with Ledex Solenoids (VDC)	Diode Capacitor Type (Size)	Part Number
Diode/Capacitor	33	1	1-8	A	122654-001
Diode/Capacitor	200	1	1-6 *	A	122655-001
Diode/Capacitor/Zener	33	10	1-8	C	190805-001
Diode/Capacitor/Zener	200	36	1-6 *	C	190810-001

* Suppression of arcing on hard switch contacts can be supplemented by placing a 0.05 mfd, 200 volt (min.) capacitor across the contacts in addition to our coil suppressor across the load.

Ledex[®] Rectifiers

Ledex[®] Rectifiers whose DC terminals are connected to the solenoid coil are self suppressing when switched on the AC side of the rectifier. In addition, Ledex rectifiers employ AC line transient suppressors to protect from incoming voltage spikes. Hard contact switches can be supplemented by adding a 0.05 to 0.1 mfd, 200 volt (min.) capacitor across the contacts to further minimize contact arcing.

Efficient, light, and exceptionally reliable, Ledex transient protected silicon bridge rectifiers have built-in transient control. High voltage spikes on either AC or DC sides are automatically clipped at 200 volts, protecting the diode cells as well as other circuit components.

Our silicon bridge rectifiers are carefully constructed and sealed to meet general requirements of military specification MIL-E-5400 on insulation, terminals, vibration, shock, sand and dust, fungus, and salt atmosphere.

They are recommended for use with all our electromechanical products, as well as for other systems which may be subjected to high voltage spikes from solenoids, relays and other inductive equipment sharing a common AC line. Storage and ambient temperature range is -55°C to 120°C.

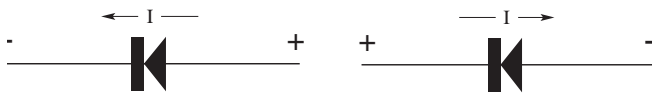
Transient Protection

One of the early problems associated with the introduction of semiconductors was the destruction of diode cells and other circuit components by transients generated from collapsing magnetic fields.

A transient spike in the high resistance direction and beyond the diode PIV rating destroys the diode. In a silicon bridge, destruction can occur from transients generated by the inductive load or from other points on the AC system.

Low Resistance,
High Current Capacity,
Low Voltage Drop

High Resistance,
Leakage Current Only. High
Voltage Drop (Limited by PIV)



To prevent current flow in the inverse direction, our silicon rectifiers have a low resistance shunt control built across the DC terminals. It allows the energy of the transient from the AC side to be dissipated through the forward direction of the diodes, protecting the rectifier as well as other circuit components. Transients from the DC side are dissipated directly through the built-in control device.

When there is only a minor possibility of transients from the AC side of a silicon rectifier, the need for transient protection may be eliminated by placing the control switch on the AC side. In this way the rectifier is closed only when the load is energized, and the possibility of damage by transients is greatly reduced.

Consideration should be given to the slower operating speed that results when an inductive load is switched from the AC side.

Oscilloscope Trace of Transient Protection



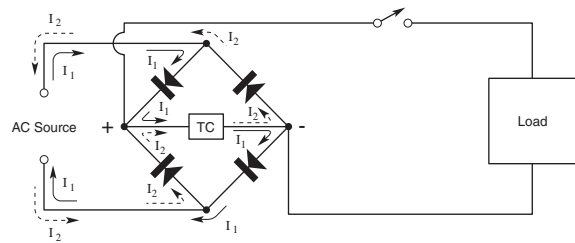
LEFT: Actual wave form read from DC output of unprotected full wave silicon bridge rectifier powering an inductive load. To prevent cell destruction, 1500 PIV (IN-1150) diodes were used. Typical DC output of bridge appears between 0 and 165 volts.



RIGHT: When transient protection circuitry is added to the DC output, the 1400 volt transients are leveled to a safe 250. (These tests were conducted with a Tektronix 535 oscilloscope with 10-to-1 attenuated probe.)

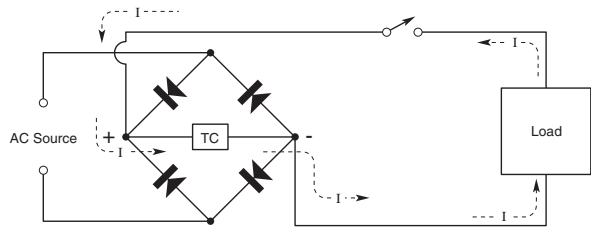
Transient from AC Line

Transients from the AC line flow through forward direction of two diodes and transient control. Forward direction can withstand the flow. Without protection, flow would be through inverse direction, resulting in diode damage.



Transient from DC Load

Transients from the DC load bypass diodes by going through transient control. If transient control is removed, current path is through inverse direction of diodes.



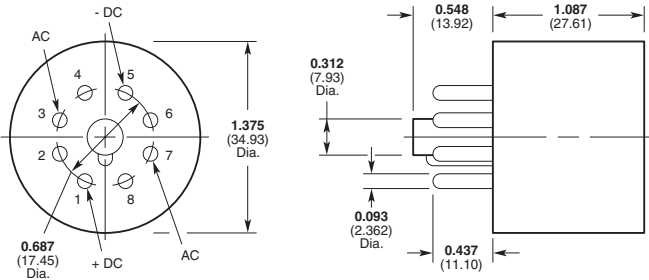
Ledex[®] Rectifiers

Octal Plug-In

Part Number A-46502-003 (not RoHS Compliant)

Weight: 1⁵/₈ oz (46 grams)

Mates with standard octal tube socket such as Cinch-Jones 8AB or equal.



Viewed from base; locate from key

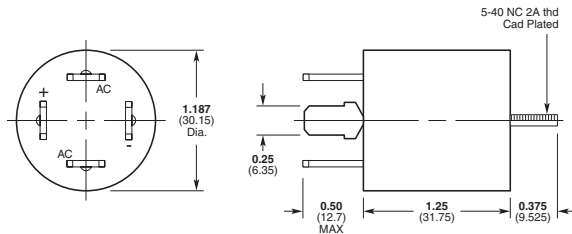
Part number 174488-001 is identical to A-46502-003 except that it has no built-in transient protection. If used with an inductive load, switching should be done on the AC side only. To switch on the DC side would require some provision to suppress transients within the 400 PIV rating. This model may also be used for applications requiring 220 VAC.

Quick Connect

Part Number 121011-001 (not RoHS Compliant)

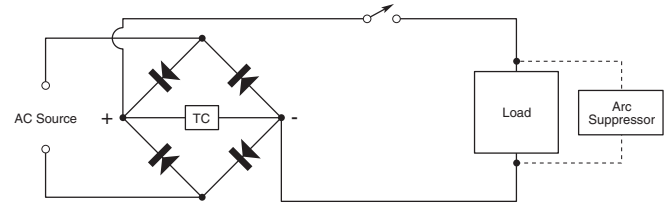
Weight: 1¹/₂ oz (42.5 grams)

Mates with AMP, Inc. Series 250 (Faston) or equivalent 1/4" terminals.



Mounting nut and lockwasher supplied loose

Typical Rectifier Hook-up



TC = Transient Control (Built-In)

Input (50-400 Hz)		Output (VDC)
VRMS	Surge (amps)	
24	25 for 1 cycle	20
115	25 for 1 cycle	100
140	25 for 1 cycle	124

Current Rating by Duty Cycle

Duty Cycle %	20° to 75°C		100°C	
	Max Current (Amps)	Max Pulse Length (Sec)	Max Current (Amps)	Max Pulse Length (Sec)
100	1.8	Cont.	0.75	Cont.
75	2.4	115	1.0	115
50	3.6	100	1.5	100
25	7.2	43	3.0	43
10	7.5	20	4.0	20

Maximum Ratings (25°C Ambient)

Rating	Value
RMS applied voltage	139 VRMS
Recurrent peak voltage	184 volts
DC applied voltage	175 volts
Average rectified forward current at 60 Hz	1.8 amp
Non-repetitive peak surge current for 1 cycle	30 amp
Average transient energy dissipation	20 joules
Peak transient current on DC side of bridge (current spike tp <20 μsec)	1,000 amps
Operating temperature	-55°C to 115°C

Electrical Characteristics

Characteristic	Typical	Max
Forward voltage drop (I _F = 1.0 amp; T _J = 25°C)	1.8	2.2 volts
Transient voltage clipping level		273 volts

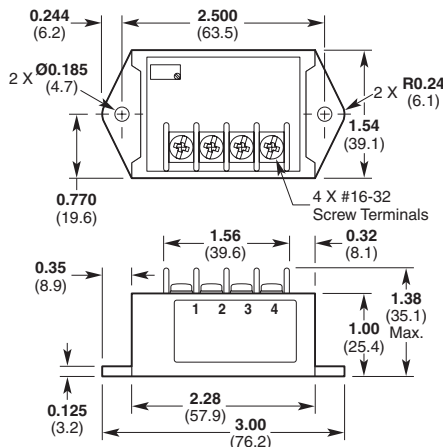
NOTE: The output of the rectifier should not be grounded unless the input is isolated from the power line by a transformer.

Ledex[®] AC Hold-In Circuit Modules

These convenient modules provide solutions to applications requiring high starting torque but lower holding torque at the end of the rotary stroke. The modules rectify 115 VAC input and supply 100 VDC to the solenoid to move your load, then reduce the wattage to a lower power level to hold the solenoid in the energized position. These modules use pulse width modulation to reduce the effective voltage to the solenoid to about 35%. Model 129549-001 switches an external resistor in series with the solenoid.

Hold-In Module for PWM Operation (Pick and Hold)

Part Number 152160-001



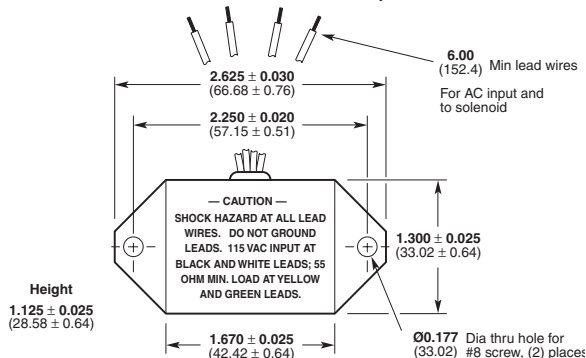
- Delivers full power for 50 milliseconds ($\pm 20\%$), then reduces voltage to a user-selected range of 10% to 75% full voltage input (approximately 10% factory setting.)
- Operating voltage is 12 - 24 VDC input
- Black ABS plastic housing with terminal strip connections
- Operating temperature is 0°C to 50°C
- Suitable for use on Ledex size 5 solenoids or smaller
- Potentiometer adjustment of hold-in voltage/current
- Not RoHS compliant

Input Voltage Range:	11-26 VDC
Maximum Holding Current:	1.0 amps
Maximum Pull-In Current:	8.0 amps
Minimum Load Resistance:	3.3 ohms @26 VDC input
Holding Current (approximate):	$V_{in} \times \text{duty cycle/coil resistance}$
Maximum Repetition Rate:	Once every second

Operation: The hold-in module is connected permanently to the solenoid leads. Upon application of DC power to the input terminals, full power is delivered to the solenoid for 50 ms. Power is then reduced automatically to a user-selected value (10 to 75% of full input voltage). This reduced hold-in voltage is maintained until the input voltage to the module is turned off. This action removes power to the solenoid and enables the module for a new cycle of full power and automatic reduction (pick and hold).

Hold-In Circuit Module for PWM Operation (Pick and Hold)

Part Number 187478-001 (not RoHS Compliant)



- Built-in full wave rectifier
- AC line transient protection
- Delivers full power to solenoid for 125 milliseconds, then reduces voltage to 35%
- Built-in solenoid coil suppression

Rating	Min	Typical	Max	Unit
Input voltage	95	115	135	Volts AC
Energizing pulse width	85	125	175	Millisec
Load resistance	30			Ohms
Holding current*		0.9E-2.5		Amps
		2.86R		
Operating temperature	0		+71	°C

* The holding current following the initial energizing pulse is computed by the above equation where E is the supply voltage (AC) and R is the solenoid resistance.

Operation: The hold-in circuit is connected permanently to the solenoid by means of the yellow and green lead wires. Upon application of AC power to the black and white lead wires, full power is applied to the solenoid for approximately 125 ms. The power then automatically drops to provide holding current until the AC power is removed.

Technical Data

A solenoid is a basic, rugged device. Its component parts consist of a coil (to carry current and generate ampere turns), an iron shell or case (to provide a magnetic circuit), and a movable plunger or pole (to act as the working element).

A major objective in the design of a solenoid is to provide an iron path capable of transmitting maximum magnetic flux density with a minimum energy input. Another objective is to get the best relationship between the variable ampere turns and the working flux density in the air gap. When applying a solenoid, it is extremely important to consider the effects of heat, since for a constant voltage application, an increase in coil temperature reduces the work output.

Ambient temperature range, voltage fluctuation, return springs and temperature rise all affect the net output torque/force. For preliminary calculations, we recommend that a 1.5 safety factor be applied to the variables.

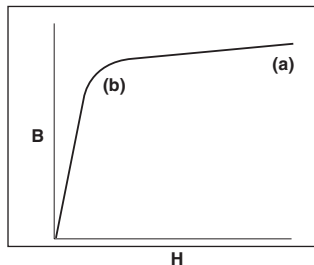
Magnetic Flux

Magnetic flux lines are transmitted through the iron shell and the air gap between the shell and the plunger (for linear solenoids) or the armature (for rotary solenoids). An iron path is much more efficient than air, but the air gap is needed to permit movement of the plunger or armature.

The force or torque of a given solenoid is inversely proportional to the square of the distance between the pole faces. The lowest force or torque is generated when the distance is widest/longest; the strongest when the distance is smallest.

Saturation

Saturation of the iron path in a solenoid can be considered in two ways. In the true sense it is point (a) at which the iron ceases to carry any increase in flux. In broader terms, saturation is usually considered as point (b), where the iron begins to saturate.



As the pole pieces are moved together or when input power is increased, the flux density of the magnetic circuit increases until the iron saturates near point (b). Beyond this point any further increase in power only serves to add heat without an appreciable increase in force or torque. By changing the iron path area, the pole shape, or the magnetic circuit material, output torque/force can be increased.

Ampere Turns

The number of copper wire turns, the magnitude of the current, and permeance of the magnetic circuit determine the absolute value of magnetic flux within the solenoid. The permissible temperature rise limits the magnitude of the power input. When using a constant voltage, heat makes the coil less efficient because it reduces the ampere turns and, hence, the flux density and the torque/force output.

Heat

Heat can be dissipated by controlling the air flow, by mounting the solenoid on a surface large enough to dissipate the energy (heat sink), or by resorting to

some other cooling method. When space permits, a simple solution is to use a larger solenoid. Heat in a solenoid is a function of power and the time during which power is applied. For continuous duty, hold-in resistor circuits are commonly used to provide higher starting torques/forces than are obtainable at continuous duty rating.

Our stock model standard solenoids are designed to operate in ambient temperatures of -55°C to 80°C. A solenoid operating at the predetermined conditions established in the coil data charts, with the specified heat sink, will have a coil temperature rise of about 80°C (above ambient temperature). Our standard solenoids will withstand 120°C without thermal damage. A special high temperature coil with a 175°C temperature limit, for operation in up to 95°C ambient, is available for rotary and low profile solenoids.

Duty Cycle

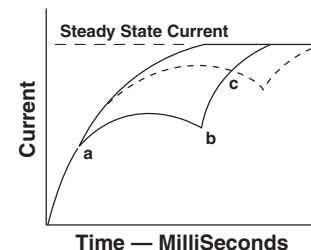
Duty cycle is determined by ON time/(ON + OFF) time. For example, if a solenoid is energized one second out of four seconds, the duty cycle is $1/(1 + 3) = 1/4$ or 25%. Duty cycle is the time factor which determines the permissible watts input and the subsequent amount of torque/force and heat. If, for example, a 10-watt input power causes a heat rise of 20°C in 10 seconds, approximately the same temperature rise will result if a power of 100 watts is applied for one second. In terms of duty cycle, a solenoid designed for continuous duty can dissipate ten times the input power at 10% duty.

Maximum ON Time

Solenoids have a maximum ON time for a given duty cycle, wattage and power input. For example, if a solenoid is energized for one second out of four (25% duty cycle), its ON time is one second, which will cause no damage. On the other hand, if the solenoid is energized for 10 minutes out of every 40 minutes at the 25% duty cycle wattage, the duty cycle is still 25%, but its ON time is now 600 seconds. A single pulse of this duration would burn out the solenoid. Ledex DC solenoids are specified with two criteria for maximum ON time: when pulsed repeatedly at the stated watts and duty cycle, and; for a single pulse at the stated watts (with the coil at 20°C ambient temperature).

Operating Speed

The energizing time for a solenoid to complete a given stroke is measured from the beginning of the initial pulse to the seated or energized position. For a given solenoid, this time is dependent upon the load, duty cycle, input power, stroke and temperature range. When a DC voltage is impressed across the solenoid coil, the current will rise to point (a) as shown on the graph below.



This time delay, which occurs prior to the plunger motion, is a function of the inductance and resistance of the coil, and the flux required to move the armature against the load. An increase in the magnetomotive force is

Technical Data

gap (change in inductance) as the plunger moves through the stroke, causing a dip in the current trace. The cusp at point (b) indicates that the solenoid has completed the stroke. The current trace then begins to rise to a steady state current value which, by Ohm's law, is $I = E/R$.

The current trace of a solenoid can be observed on an oscilloscope by monitoring the voltage drop across a low resistance, high wattage resistor in series with the solenoid coil.

At point (a) the solenoid has developed sufficient flux to move the load. As the load increases, more time is required to reach point (c), as shown by the phantom current trace. If the load is greater than the output of the solenoid, then the coil will build to a steady state value and a dip in the trace will not occur since the plunger has not moved (top curve).

More time is required to complete the stroke within the force limits of the solenoid as the load increases, the power decreases, or the ambient temperature increases, since these factors affect the net force of the solenoid.

When selecting a solenoid for an application, it is important that these variables be taken into consideration to determine the maximum length of the ON pulse. Once the nominal energizing time has been established, sufficient ON time beyond point (b) should be allotted to compensate for the change in speed due to the maximum load, minimum voltage, and maximum coil temperature.

The length of the OFF time or interval between pulses is established by the duty cycle and the input power. If a pulse train is applied for an indefinite period, the interval between pulses should be sufficient to maintain the duty cycle for the input power and wire size tabulated in the coil data tables. Response to a faster pulse rate for intermittent operation is then limited by the temperature rating of the coil and the return speed of the plunger. The return speed can be established by reducing the OFF period until the solenoid energizing trace becomes erratic.

When designing for high speed pulse trains, it is important to consider the type of coil suppression used, and the location of the control circuit.

A diode across the coil may provide satisfactory coil suppression, but it causes a slower collapse of the magnetic field, lengthening the OFF interval required. Ledex high speed coil suppressors use a diode/capacitor/zener diode principle to decrease the drop-out time as well as effectively suppress transients. Placing the control switch to the solenoid on the AC side of a rectifier will have an effect similar to that of using a diode across the coil. If de-energizing speed is critical, the control switch should be located on the DC side of the rectifier and a high speed coil suppressor should be used to provide adequate suppression while allowing fast plunger return speed.

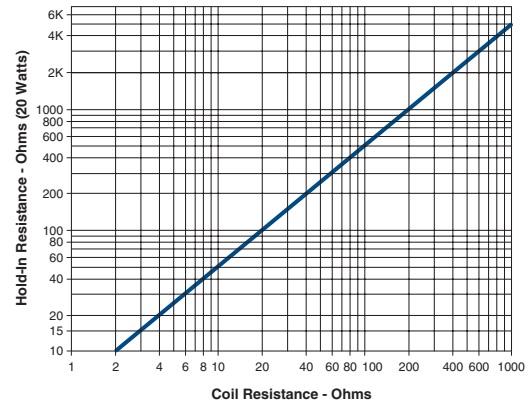
Continuous Duty

For continuous duty applications, or where there is a chance that an operator might close the control switch for a long period, the project engineer has several choices. He can specify a solenoid large

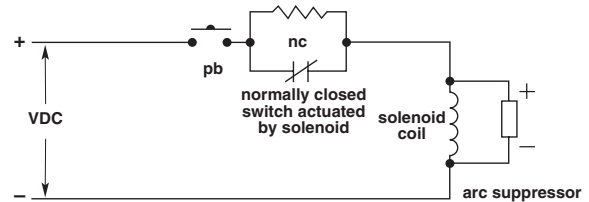
enough to provide the torque/force needed on a continuous basis or, if the application permits a higher coil temperature rise, he can specify a smaller solenoid with a high temperature coil to obtain continuous duty operation at a higher power level. He can also use a smaller solenoid and

take advantage of the higher torque/force obtainable with an intermittent duty cycle input power. This can be accomplished by using a hold-in circuit to reduce current to a point where torque/force is sufficient to maintain the solenoid in the energized position.

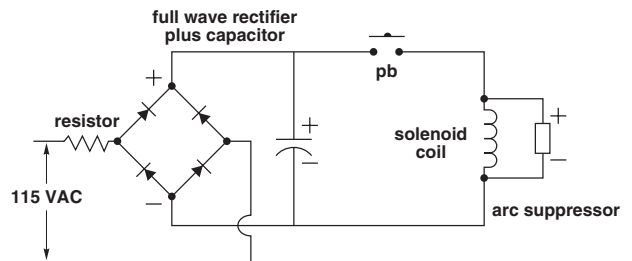
"Hold-in" Resistor Value Estimates



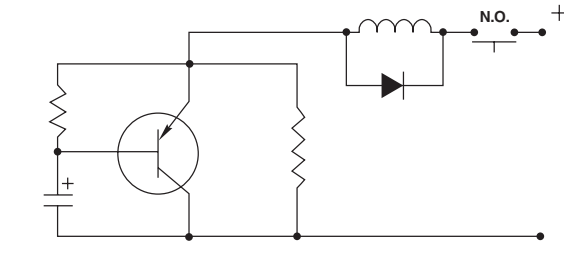
Mechanical Hold-in Resistor Circuit



Capacitor Hold-in Resistor Circuit



Transistorized Hold-in Circuit



Mechanical Hold-In Resistor Circuit

One of the more common methods to reduce coil current is a normally closed (NC) switch in parallel with a hold-in resistor. When push button (PB) closes the circuit, full voltage is impressed across the solenoid coil, bypassing the resistor through the NC switch. As the solenoid approaches the end of its stroke, a mechanical connection opens the NC contacts, inserting the resistor in series with the coil. This reduces the solenoid voltage to a point where the power input is high enough to allow the solenoid to hold in, and yet stay within its normal heat dissipating range.

Capacitor Hold-In Resistor Circuit

In some cases, a switchless hold-in circuit may be used on 115 VAC applications. This consists of a capacitor which charges to a peak of approximately 150 volts. A resistor in the line ahead of the rectifier controls the hold-in current after the discharged capacitor has supplied the initial high stored energy.

Transistorized Hold-In Circuit

As shown in the transistorized circuit on page H2, when the NO switch is closed, current flows through the base-collector while the capacitor is charging to input voltage. As the base-collector current flows, the emitter-collector circuit allows full power to be impressed across the solenoid coil. The transistor is switched off when the capacitor reaches full charge. Current flow is then through the hold-in resistor and solenoid coil at continuous duty power or less. When using this circuit, it is important that the transistor be on long enough to allow the solenoid to move the load through the complete stroke.

The graph on page L2 is a convenient guide to estimate hold-in resistor values. Because the actual value can vary according to the size of the load to be held, it should be used only as a starting point. Keep in mind that more hold-in current (lower resistance) is needed as the hold-in load increases. To use the graph, locate the coil resistance on the horizontal scale, then read the approximate hold-in resistor value on the vertical scale.

Temperature and Force/Torque Resistance

The force/torque curves and coil data in this catalog are based on the coil being at an ambient temperature of 20°C, and the use of a heat sink comparable to that called out in the notes below each table. When a solenoid is energized, the coil temperature rises. Since resistance varies with temperature, an increase in temperature produces a proportional increase in resistance. Increased resistance reduces the current flow when constant voltage is applied, and decreases the effective ampere turns and torque/force output. For each degree above or below 20°C, the resistance of the coil's copper wire changes by 0.393 percent per degree. A coil temperature rise of 80°C, for example, will increase the coil resistance by a factor of 0.514, which is equal to 80°C x 0.00393/°C. Calculation of resistance at any other temperature (t_2) can be made using the following formula:

$$R_{t_2} = R_{20^\circ C} [1 + 0.00393 (t_2 - 20)]$$

Rearrangement of the formula produces a ratio between $R_{20^\circ C}$ and R_{t_2} as follows:

$$\frac{R_{t_2}}{R_{20^\circ C}} = 1 + .00393 (t_2 - 20) = \text{Resistance Factor (R.F.)}$$

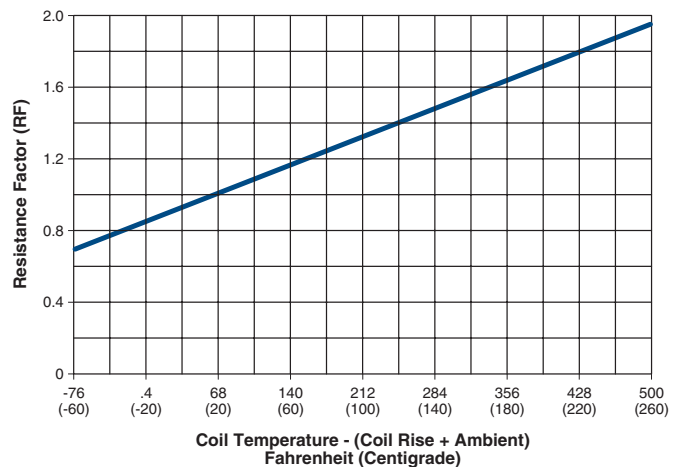
The Resistance Factor of copper wire at temperatures from -60°C (-76°F) to 260°C (500°F) is graphed below.

Once the actual coil temperature (ambient plus rise) is determined, the resistance factor can be determined as follows:

A size 3E, 31 awg coil has a resistance of 31.8 ohms at 20°C. After operating for a prolonged period at 10% duty, the approximate coil rise is 80°C. Added to 20°C, the coil temperature is 100°C. The Resistance Factor graph indicates a 1.5 factor (point where 100°C and diagonal intersect). At 100°C, the resistance of the 31.8 ohm coil is increased by this factor. With a constant voltage applied, the power decrease is proportional to the resistance increase ($P = E^2/R$). The 10% duty power of a size 3 solenoid is 90 watts (at 20°C). The decrease in power at the elevated temperature is calculated by:

$$\frac{90 \text{ (Power at } 20^\circ\text{C)}}{1.3 \text{ (Resistance Factor)}} = 69 \text{ W}$$

By interpolating between the 25% and 10% duty cycle curves, the reduction in force due to the 80°C rise can be estimated for a given stroke.



Technical Data

How to Simulate a Coil Wire Size

If you have a stock model Ledex solenoid, you can simulate performance with a different wire gage by changing the input voltage. A rule of thumb is that, as each wire size changes from one gage to the next, the voltage increases or decreases by the cube root of 2, or a factor of 1.26.

Coil data charts in this catalog are tabulated with voltage values which provide essentially constant ampere turns for each wire size at given duty cycles. A stock model solenoid with a given coil awg can be used to simulate other wire gages under different voltage conditions as follows:

Assume you have a 12-volt power supply and you want to experiment with a size 3 low profile solenoid at continuous duty. In the size 3 coil chart, the closest continuous duty coil is 30 awg (15 volts). You can simulate the exact conditions you would have with a 30 awg coil and a 12 volt input by using a stock model with (1) a 28 awg coil, or (2) a 33 awg coil.

(1) The size 3, 28 awg coil is rated at 8.4 volts, continuous duty. The desired 30 awg coil is 2 gages higher.

$$\frac{12 \text{ (your voltage)}}{1.26^2} = 7.5$$

(factor for two awg. changes)

7.5 = voltage to simulate 30 awg coil at 12 volts when using stock model size 3 with 28 awg coil.

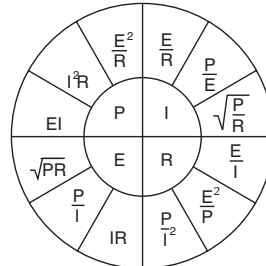
(2) The 33 awg is rated at 26 volts, continuous duty. The desired 30 awg is three gages lower.

$$12 \text{ volts} \times 1.26^3 = 24$$

24 = voltage to simulate 30 awg coil at 12 volts when using stock model size 3 with 33 awg coil.

Input Power and Ohm's Law for Direct Current

To understand the relationships of power, current, voltage and resistance, use the chart below.



P = Power (watts)
 I = Current (amperes)
 E = Electromotive force (volts)
 R = Resistance (ohms)

Environmental Considerations

Factors which impact the operation and performance of solenoids include:

- Temperature
 - Sand and dust
 - Humidity
 - Shock and vibration
 - Altitude, vacuum and pressure
 - Specific application considerations such as paper dust and exposure to certain chemicals
- Please consult an application engineer, if any of these factors are prominent in your planned solenoid design.



ERMEC, S.L. BARCELONA
 C/ Francesc Teixidó, 22
 E-08918 Badalona
 (Spain)

Tel.: (+34) 902 450 160
 Fax: (+34) 902 433 088
ermec@ermec.org
www.ermec.org

ERMEC, S.L. MADRID
 C/ Sagasta, 8, 1ª planta
 E-28004 Madrid
 (Spain)

PORTUGAL
portugal@ermec.com

Technical Glossary of Terms

Air Gap

The air space between the armature hub and the base or the air space between the stationary and the moveable pole piece.

Ampere Turns

The absolute value of magnetic flux determined by the number of copper wire turns in the coil and the magnitude of the current. Permissible temperature rise of the coil limits the magnitude of the power input. Heat makes the coil less efficient because it reduces the ampere turns and hence the flux density and the torque or force output

Anchor Plate

The thin formed sheet metal plate fitted over the mounting studs on the base of rotary solenoids to provide containment for the return spring. It has tabs formed up around the circumference which are used to attach the end of the spring and allow adjustment.

Armature Assembly

The assembly consisting of the armature plate, the hub, and the shaft which is the complete moving element in a rotary solenoid.

Armature Plate

The large diameter plate which forms the main rotating element of the solenoid and contains the ball races which convert linear to rotary motion. Made from SAE #1008 or 1010 CRS and case hardened for wearability in the ball races.

Axial Stroke

The amount of longitudinal movement the armature assembly travels as it rotates through its stroke. Value range from 0.022 to 0.100 inches depending on solenoid size and length of stroke.

B-H Curve

The graph of the ratio of flux density to magnetic field intensity. The magnetic field intensity is usually plotted logarithmically.

Bearing Balls

Precision stainless steel balls used in rotary solenoid ball races to provide essentially friction free rotary movement between the armature plate and the case.

Bobbins

Most bobbins are made of nylon 6/6 and meet UL file #E-41938 or E-39806B.

Bobbin Wound Coil

A coil, usually random wound on a spool which maintains the form and shape of the coil and also provides the coil insulation.

Case

The outer shell and main component of the solenoid coil housing. Made of CRS #1008, #1010, 12L14 or 1215 case hardened to 513 on the Vickers scale (RC50) for sizes 0 to 6 (sizes 7 and 8 are not case hardened). The case has the three coined ball races, and is formed from flat stock drawn into a cup (size 7 is machined from bar stock and size 8 is made from tubing stock because of their size and thickness).

Coil

Copper windings providing the electrical element of the solenoid through which current is passed to generate a magnetic field. Coils may be precision wound which allows the maximum amount of copper in the space provided or random wound or bobbin wound.

Coil Arc Suppression

The application of electronic protection devices across switch contacts and coils to reduce the arc caused by interrupting the current flow through an inductive device such as a solenoid. Appropriate coil suppression greatly reduces this arcing.

Coil Resistance

Coil resistance is the property of the coil which impedes the flow of current through it when a voltage is applied. Resistance values are shown in ohms for each solenoid wire awg for a temperature of 20°C. A resistance conversion factor may be used to determine what the resistance would be at other temperatures. This is particularly helpful in determining the effects of temperature on output torque or force. Use the resistance factor chart on page L8 or refer to the Temperature and Force/Torque Resistance section on page L3 for further calculation of resistance at temperatures other than 20°C.

Coining

The process of striking the armature plate or case to form the three ball races on rotary solenoids. This process provides an extremely smooth, mirror-like surface in the ball races.

Dielectric

Dielectric is the resistance between the coil and the case. Minimum dielectric value is 500 VRMS and range up to 1,500 VRMS depending on the solenoid size type and wire gage. Dielectric values are shown for each solenoid in the specifications chart.

Dust Cover

A protective sheet metal cover pressed over the armature plate end of the rotary solenoid to protect the armature and bearing balls from dirt and other contaminants.

Duty Cycle

ON Time/ON+OFF Time = Duty Cycle. Standard duty cycles used in this catalog are 100%, 50%, 25%, 10% and 5%. Other values can be determined by interpolation between any two columns.

Elongated Coils

These coils are 16% longer than standard precision wound rotary solenoid coils, and provide 30% more copper. These units will provide approximately the same torque with less wattage. If the same wattage as the standard precision coils is used, they will provide slightly more torque.

Ending Torque

Torque that a rotary solenoid develops in the last degree or two of stroke.

Technical Glossary of Terms

End Play

The amount of free axial movement built into a rotary solenoid in the completely de-energized position. This axial movement, normally only a few thousandths of an inch, assures that the solenoid is capable of returning to the completely de-energized position and does not stop before the balls reach the end of their races.

Flux Density

The number of Webers per square meter in a cross section normal to the direction of the flux. This quantity is known as Tesla and given the symbol B. The typical knee in the B-H curve where iron becomes difficult to further magnetize is around 1.6 Tesla.

Flux, Magnetic

The physical manifestation of a condition existing in a medium or material subjected to a magnetizing influence. The quantity is characterized by the fact that an electromotive force is induced in a conductor surrounding the flux during any time there is a change in flux magnitude. A unit of flux is a Weber which is defined as that which being linearly attenuated to zero in 1 second, induces in a surrounding turn, an EMF of 1 volt.

Gross Torque

The starting torque available from a rotary solenoid before subtracting the nominal return spring torque.

Heat Rise

The rise in temperature which results from operating the solenoid at the predetermined conditions established in the coil data charts, with the specified heat sink. Standard solenoids will have a temperature rise of 80°C over ambient.

Heat Sink

The maximum allowable watts for each solenoid are based on an unrestricted flow of air at 20°C with the solenoid mounted on the equivalent heat sink specified for each size. Inadequate heat sink or restricted air flow may result in overheating of the solenoid.

Holding Torque

The torque required to break the armature loose from the energized position while under power. Normally checked under continuous duty operation and after reaching the stabilized operating temperature.

Hub

Part of the armature plate assembly which forms the moving pole face. Made of 12L14 or 1215 CRS. The shaft is pressed into the hub which is staked to the armature plate.

Inductance

An electrical property of solenoids from which can be calculated the current rise time, the stored magnetic energy, the inductive reactance and the impedance. Inductance is an electrical energy storage unit (analogous to capacitance) and is measured in henrys.

Lead Wires

Standard temperature rated coils use PVC insulated stranded lead wire, UL style 1007 rated for 80°C at 300 volts. It also meets CSA type TR-64, 90°C at 600 volts; and MIL-W-16878/2, 105°C at 1000 volts. High temperature coils use Teflon Type E, TFE, and meets MIL-W-16878/4A rated at 200°C at 600 volts.

Lubricant

Standard rotary solenoids are lubricated in the ball races and in the sleeve bearing with Nye Rheolube #719L, a lithium soap-based synthetic hydrocarbon grease with wide temperature capabilities from -54°C to over 95°C. The base oil is compatible with most ester-vulnerable plastics and elastomers. It contains a rust inhibitor and an ultraviolet sensitive dye. Endurance engineered solenoids are lubricated with Shell Alvania #2 which is also a lithium soap-based grease with a temperature range of -29°C to 121°C.

Magnet Wire

100% copper wire, UL-recognized, single film insulation rated at 200°C (NEMA MW 35C) or 155°C (NEMA MW 80C).

Magnetic Field Intensity

The closed loop integral of this quantity is equal to the total current enclosed, as defined by Maxwell's equation. Or, the magnetomotive force per unit length in a magnetic circuit. This quantity is given the symbol H.

Magnetomotive Force

See ampere turns.

Needle Bearing

A bearing used in long life rotary solenoids which is a circle of long needles forming the bearing surface for the shaft.

Net Torque

The starting torque available from the solenoid after subtracting the nominal return spring torque.

PWM

(Pulse Width Modulation)

If a solenoid is controlled by a transistor which is signaled from a microprocessor, the PWM can be considered as an alternate means for reducing sizes or saving energy. PWM reduces the effective voltage by pulsing the voltage input. For example, if a solenoid has 12 volts supplied, but at 500 Hz at a 50% duty, the solenoid acts exactly as if it is connected to a 6-volt supply. If the duty cycle is changed to 25%, then the solenoid performs like one hooked to a 3-volt supply. The frequency must be higher than the solenoid can respond to otherwise chatter or humming will occur. Due to the inductive nature of the solenoid coil, the current is smoothed resulting in a constant force. Initially, the microprocessor must leave the transistor on long enough to allow the solenoid to energize. After that point, the microprocessor must alternately issue ON and OFF pulses to the transistor to achieve the appropriate duty cycle.



ERMEC, S.L. BARCELONA
C/ Francesc Teixidó, 22
E-08918 Badalona
(Spain)

Tel.: (+34) 902 450 160
Fax: (+34) 902 433 088
ermec@ermec.org
www.ermec.org

ERMEC, S.L. MADRID
C/ Sagasta, 8, 1ª planta
E-28004 Madrid
(Spain)

PORTUGAL
portugal@ermec.com

Technical Glossary of Terms

Permeability

The ratio of flux density in a given medium to the magnetic field intensity. The symbol used is μ and has the value of $4\pi E-7$ in a vacuum.

Permeance

The ratio of the flux through any given cross section of a given medium (bounded by equipotential surfaces) to the difference in magnetomotive force between the two surfaces.

Plunger

The magnetic moving component of a linear solenoid, typically made from cold, rolled steel.

Precision Wound Coil

A coil whose individual turns have a prescribed pattern which they must follow during the winding process whereby each turn is laid precisely next to the previous turn. This process allows for the maximum amount of copper in the allotted space. Normally carries a $\pm 5\%$ tolerance on coil resistance.

Random Wound Coil

A coil whose turns are allowed to wind randomly in no specific pattern. One turn may overlap another or may lay side by side or even spiral completely across the surface of the coil. Normally carries a $\pm 10\%$ tolerance on resistance

Relative Permeability

The ratio of the flux density in a given medium to that which would be produced in a vacuum with the same magnetizing force. Non-magnetic materials, including air, have a relative permeability of 1, while magnetic materials such as iron, have initial relative permeabilities of around 2,000.

Residual Magnetism

The magnetism which remains in effect on a piece of magnetic material or between two pieces of magnetic material after the electromagnetic field created by the coil has been removed. An air gap is usually maintained between two magnetic poles to minimize the effects of residual magnetism.

Resistance Tolerance

Coil resistance tolerances are generally $\pm 5\%$ for heavier gage wires where precision coil windings are used and $\pm 10\%$ for finer gage wire where random winding processes are used. Tolerances are shown for each solenoid in the individual specification charts.

Return Springs

All standard stock rotary solenoids have scroll type return springs. Values range from 1 oz-in to 1 lb-in depending on the solenoid size. Tolerance on springs are $\pm 20\%$ of the nominal value shown. Return springs are an available feature on any solenoid.

Safety Factor

The ambient temperature range, voltage fluctuation, return springs and temperature rise all affect the net available output torque or force of a solenoid. A 1.5 safety factor should be applied to preliminary calculations of torque or force.

Shaft—Other Solenoids

The main axle of the solenoid which runs from the armature through the base and out the bottom and provides the main bearing. The shaft is also used for external attachment to the solenoid. Normally made of non-magnetic #303 stainless steel. On long-life rotary solenoid models the shaft is made of CRS #12L14 or 1215 which has been case hardened in the bearing area for wear resistance.

Shaft—Tubular Solenoid

The small diameter portion of the plunger assembly of a push-type tubular solenoid which protrudes through the base or stationary pole face and provides push capability; usually made from #303 stainless steel.

Sleeve Bearing

The cylindrical bearing in the base of the solenoid which provides a guide for the shaft. Usually made from phosphor bronze, it can be made of other materials for different applications requiring longer life.

Sleeving

Sleeving used on standard solenoids to insulate the lead wires where they exit the solenoid case is black Vinylite per Mil-I-631B, Type F, subform Ua, Grade C, Class 1, Category 1, and meets UL file #E13565 and E-18459. Sleeving on high temperature coils is Teflon for temperatures up to 200°C continuous and will meet the requirements of AMS 3655 and UL file #E-20344 and E-39513.

Starting Torque

The torque which is produced by a rotary solenoid in the first degree or two of stroke from the de-energized position.

Stator Assembly

That portion of any solenoid which contains the coil, case and base. This portion remains stationary during operation.

Tape

Coil wrapping tape is clear Mylar brand polyester film 0.002" thick which has been slit to the desired width and is used to wrap the coil in an overlapping manner. The film is per Mil-I-631 Type G, Form T_p, Class I, rated for 130°C continuous and meets UL file #E-39505. Coil banding tape is Mylar polyester film, adhesive backed per Mil-I-15126 Type MFT. This tape is used to wrap around the O.D. of the coil one thickness of 0.0025".



ERMEC, S.L. BARCELONA
C/ Francisc Teixidó, 22
E-08918 Badalona
(Spain)

Tel.: (+34) 902 450 160
Fax: (+34) 902 433 088
ermec@ermec.org
www.ermec.org

ERMEC, S.L. MADRID
C/ Sagasta, 8, 1ª planta
E-28004 Madrid
(Spain)

PORTUGAL
portugal@ermec.com

Technical Copper Resistance Factors

Because the resistance of copper wire varies with temperature, a given resistance must be compensated for when it is measured at some other temperature. The chart below can be used to determine the resistance at

different temperatures or the temperature if the resistance is known. (See Temperature and Force/Resistance Factor on page L3 for Resistance calculations.)

°C	°F	R.F.	°C	°F	R.F.	°C	°F	R.F.	°C	°F	R.F.
-55	-67.0	0.70525	0	32.0	0.92140	60	140.0	1.15720	120	248.0	1.39300
-54	-65.2	0.70918	1	33.8	0.92533	61	141.8	1.16113	121	249.8	1.39693
-53	-63.4	0.71311	2	35.6	0.92926	62	143.6	1.16506	122	251.6	1.40086
-52	-61.6	0.71704	3	37.4	0.93319	63	145.4	1.16899	123	253.4	1.40479
-51	-59.8	0.72097	4	39.2	0.93712	64	147.2	1.17292	124	255.2	1.40872
-50	-58.0	0.72490	5	41.0	0.94105	65	149.0	1.17685	125	257.0	1.41265
-49	-56.2	0.72883	6	42.8	0.94498	66	150.8	1.18078	126	258.8	1.41658
-48	-54.4	0.73276	7	44.6	0.94891	67	152.6	1.18471	127	260.6	1.42051
-47	-52.6	0.73669	8	46.4	0.95284	68	154.4	1.18864	128	262.4	1.42444
-46	-50.8	0.74062	9	48.2	0.95677	69	156.2	1.19257	129	264.2	1.42837
-45	-49.0	0.74455	10	50.0	0.96070	70	158.0	1.19650	130	266.0	1.43230
-44	-47.2	0.74848	11	51.8	0.96463	71	159.8	1.20043	131	267.8	1.43623
-43	-45.4	0.75241	12	53.6	0.96856	72	161.6	1.20436	132	269.6	1.44016
-42	-43.6	0.75634	13	55.4	0.97249	73	163.4	1.20829	133	271.4	1.44409
-41	-41.8	0.76027	14	57.2	0.97642	74	165.2	1.21222	134	273.2	1.44802
-40	-40.0	0.76420	15	59.0	0.98035	75	167.0	1.21615	135	275.0	1.45195
-39	-38.2	0.76813	16	60.8	0.98428	76	168.8	1.22008	136	276.8	1.45588
-38	-36.4	0.77206	17	62.6	0.98821	77	170.6	1.22401	137	278.6	1.45981
-37	-34.6	0.77599	18	64.4	0.99214	78	172.4	1.22794	138	280.4	1.46374
-36	-32.8	0.77992	19	66.2	0.99607	79	174.2	1.23187	139	282.2	1.46767
-35	-31.0	0.78385	20	68.0	1.00000	80	176.0	1.23580	140	284.0	1.47160
-34	-29.2	0.78778	21	69.8	1.00393	81	177.8	1.23973	141	285.8	1.47553
-33	-27.4	0.79171	22	71.6	1.00786	82	179.6	1.24366	142	287.6	1.47946
-32	-25.6	0.79564	23	73.4	1.01179	83	181.4	1.24759	143	289.4	1.48339
-31	-23.8	0.79957	24	75.2	1.01572	84	183.2	1.25152	144	291.2	1.48732
-30	-22.0	0.80350	25	77.0	1.01965	85	185.0	1.25545	145	293.0	1.49125
-29	-20.2	0.80743	26	78.8	1.02358	86	186.8	1.25938	146	294.8	1.49518
-28	-18.4	0.81136	27	80.6	1.02751	87	188.6	1.26331	147	296.6	1.49911
-27	-16.6	0.81529	28	82.4	1.03144	88	190.4	1.26724	148	298.4	1.50304
-26	-14.8	0.81922	29	84.2	1.03537	89	192.2	1.27117	149	300.2	1.50697
-25	-13.0	0.82315	30	86.0	1.03930	90	194.0	1.27510	150	302.0	1.51090
-24	-11.2	0.82708	31	87.8	1.04323	91	195.8	1.27903	151	303.8	1.51483
-23	-9.4	0.83101	32	89.6	1.04716	92	197.6	1.28296	152	305.6	1.51876
-22	-7.6	0.83494	33	91.4	1.05109	93	199.4	1.28689	153	307.4	1.52269
-21	-5.8	0.83887	34	93.2	1.05502	94	201.2	1.29082	154	309.2	1.52662
-20	-4.0	0.84280	35	95.0	1.05895	95	203.0	1.29475	155	311.0	1.53055
-19	-2.2	0.84673	36	96.8	1.06288	96	204.8	1.29868	156	312.8	1.53448
-18	-0.4	0.85066	37	98.6	1.06681	97	206.6	1.30261	157	314.6	1.53841
-17	1.4	0.85459	38	100.4	1.07074	98	208.4	1.30654	158	316.4	1.54234
-16	3.2	0.85852	39	102.2	1.07467	99	210.2	1.31047	159	318.2	1.54627
-15	5.0	0.86245	40	104.0	1.07860	100	212.0	1.31440	160	320.0	1.55020
-14	6.8	0.86638	41	105.8	1.08253	101	213.8	1.31833	161	321.8	1.55413
-13	8.6	0.87031	42	107.6	1.08646	102	215.6	1.32226	162	323.6	1.55806
-12	10.4	0.87424	43	109.4	1.09039	103	217.4	1.32619	163	325.4	1.56199
-11	12.2	0.87817	44	111.2	1.09432	104	219.2	1.33012	164	327.2	1.56592
-10	14.0	0.88210	45	113.0	1.09825	105	221.0	1.33405	165	329.0	1.56985
-9	15.8	0.88603	46	114.8	1.10218	106	222.8	1.33798	166	330.8	1.57378
-8	17.6	0.88996	47	116.6	1.10611	107	224.6	1.34191	167	332.6	1.57771
-7	19.4	0.89389	48	118.4	1.11004	108	226.4	1.34584	168	334.4	1.58164
-6	21.2	0.89782	49	120.2	1.11397	109	228.2	1.34977	169	336.2	1.58557
-5	23.0	0.90175	50	122.0	1.11790	110	230.0	1.35370	170	338.0	1.58950
-4	24.8	0.90568	51	123.8	1.12183	111	231.8	1.35763	171	339.8	1.59343
-3	26.6	0.90960	52	125.6	1.12576	112	233.6	1.36156	172	341.6	1.59736
-2	28.4	0.91354	53	127.4	1.12969	113	235.4	1.36549	173	343.4	1.60129
-1	30.2	0.91747	54	129.2	1.13362	114	237.2	1.36942	174	345.2	1.60522
			55	131.0	1.13755	115	239.0	1.37335	175	347.0	1.60915
			56	132.8	1.14148	116	240.8	1.37728	176	348.8	1.61308
			57	134.6	1.14541	117	242.6	1.38121	177	350.6	1.61701
			58	136.4	1.14934	118	244.4	1.38514	178	352.4	1.62094
			59	138.2	1.15327	119	246.2	1.38907	179	354.2	1.62487

Part Numbers in Distribution*

Part Number	Product	Model/Size	Page	Part Number	Product	Model/Size	Page
Ultimag	4EM	197124-026	B4	Rotary	5S	H-2300-027	D22
	4EM	197124-029	B4		5S	H-2382-032	D22
	5EM	194644-024	B6		5S	H-2383-027	D22
	5EM	194644-027	B6		5S	H-2383-032	D22
BTA	2EV	195190-032	C5		5S	H-2414-029	D22
	2EV	195190-035	C5		5S	H-3397-029	D22
	3EV	195191-031	C6		6S	H-1078-027	D24
	3EV	195191-034	C6		6S	H-15064-027	D24
	4EV	190834-029	C7		6S	H-15066-024	D24
	5EV	190835-027	C8		6S	H-15066-027	D24
	6EV	190836-024	C9		6S	H-15067-027	D24
	6EV	190836-028	C9		6S	H-3376-024	D24
Rotary	1E	H-1141-033	D10		7S	H-1334-025	D26
	1E	H-1143-033	D10	7S	H-15502-025	D26	
	1E	H-1146-033	D10	7S	H-2309-025	D26	
	1E	H-1151-033	D10	7S	H-2309-027	D26	
	1E	H-15039-033	D10	Soft Shift	2EP	191995-030	E5
	1E	H-15097-033	D10		2EP	191995-032	E5
	1E	H-15215-030	D10		3EP	191994-030	E6
	1E	H-15218-030	D10		4EP	191993-026	E7
	2E	H-1024-032	D12		4EP	191993-028	E7
	2E	H-1079-032	D12		5EP	193015-026	E8
	2E	H-1344-032	D12	6EP	192907-023	E9	
	2E	H-2168-032	D12	6EP	192907-027	E9	
	2E	H-2346-032	D12	Tubular	1/2 x 1/2 Pull	195200-235	F6
	2E	H-2390-032	D12		1/2 x 1/2 Pull	195200-237	F6
	2E	H-2744-032	D12		1/2 x 1/2 Pull-Latch	151082-235	F8
	3B	810-280-330	D14		1/2 x 1/2 Push	195201-235	F10
	3B	810-282-330	D14		1/2 x 1/2 Push	195201-237	F10
	3B	810-283-330	D14		1/2 x 1 Pull	195202-131	F12
	3E	H-15080-030	D16		1/2 x 1 Pull	195202-134	F12
	3E	H-2159-031	D16		1/2 x 1 Pull	195202-137	F12
	3E	H-2268-031	D16		1/2 x 1 Pull	195202-231	F12
	3E	H-2412-030	D16		1/2 x 1 Pull	195202-234	F12
	3E	H-2711-033	D16		1/2 x 1 Pull	195202-237	F12
	4E	H-15000-028	D18		1/2 x 1 Push	195203-131	F14
	4E	H-15021-028	D18		1/2 x 1 Push	195203-134	F14
	4E	H-15237-025	D18		1/2 x 1 Push	195203-137	F14
	4E	H-2413-031	D18		1/2 x 1 Push	195203-231	F14
	4E	H-2862-028	D18	1/2 x 1 Push	195203-234	F14	
	4E	H-2900-028	D18	1/2 x 1 Push	195203-237	F14	
	5B	810-282-530	D20	3/4 x 1-1/2 Pull	195204-127	F16	
	5B	810-284-527	D20	3/4 x 1-1/2 Pull	195204-130	F16	
	5S	H-1082-032	D22	Continued	3/4 x 1-1/2 Pull	195204-133	F16
	5S	H-1125-027	D22	Next Page...	3/4 x 1-1/2 Pull	195204-227	F16
5S	H-15165-029	D22	*Parts typically found in Distribution. Contact your local Ledex distributor, or see our website for the distributor nearest you.				
5S	H-2010-027	D22					

Part Numbers in Distribution*

Part Number	Product	Model/Size	Page	Part Number	Product	Model/Size	Page	
Tubular Cont.	3/4 x 1-1/2 Pull	195204-230	F16	Low Profile Cont.	5SF	129450-029	G10	
	3/4 x 1-1/2 Pull	195204-231	F16		5EC	129415-024	G11	
	3/4 x 1-1/2 Pull	195204-233	F16		5EC	129415-025	G11	
	3/4 x 1-1/2 Push	195205-127	F18		5EC	129415-026	G11	
	3/4 x 1-1/2 Push	195205-130	F18		5EC	129415-029	G11	
	3/4 x 1-1/2 Push	195205-133	F18		6SF	187789-026	G12	
	3/4 x 1-1/2 Push	195205-227	F18		6EC	173921-023	G13	
	3/4 x 1-1/2 Push	195205-230	F18		6EC	173921-027	G13	
	3/4 x 1-1/2 Push	195205-231	F18		6EC	173921-032	G13	
	3/4 x 1-1/2 Push	195205-233	F18		Open Frame	B4HD	B4HD-253-M-36	H6
	1 x 2 Pull	195206-124	F20			B4HD	B4HD-254-M-36	H6
	1 x 2 Pull	195206-128	F20			B4HD	B4HD-255-M-36	H6
	1 x 2 Pull	195206-131	F20			B11	B11-254-M-36	H7
	1 x 2 Pull	195206-224	F20			B11	B11-255-M-36	H7
	1 x 2 Pull	195206-228	F20			B14	B14-253-B-1	H8
	1 x 2 Pull	195206-231	F20	B14		B14-254-B-1	H8	
	1 x 2 Push	195207-124	F22	B16		B16-253-B-1	H10	
	1 x 2 Push	195207-128	F22	B16		B16-254-B-1	H10	
	1 x 2 Push	195207-131	F22	B17		B17-253-A-1	H12	
	1 x 2 Push	195207-224	F22	B17		B17-254-A-1	H12	
	1 x 2 Push	195207-228	F22	B22		B22-253-M-36	H16	
	1 x 2 Push	195207-231	F22	B22		B22-254-M-36	H16	
	Size 125	174419-024	F24	B22		B22-255-M-36	H16	
	Size 125	174419-026	F24	B27		B27-253-A-3	H18	
	Size 125	174419-029	F24	C26	C26-271-M-36	H26		
	Size 150	174432-024	F25	C26	C26-272-M-36	H26		
	Size 150	174432-028	F25	C26	C26-273-M-36	H26		
	Size 175	194580-025	F26	C33	C33-271-M-33	H27		
	Low Profile	0EC	174534-033	G5	C33	C33-272-M-33	H27	
		0EC	174534-035	G5	C33	C33-273-M-33	H27	
1EC		123421-031	G6	C34	C34-272-M-33	H28		
1EC		123421-033	G6	C34	C34-273-M-33	H28		
1EC		123421-036	G6	C5	C5-267-B-1	H28		
2EC		123422-030	G7	C5	C5-270-B-1	H21		
2EC		123422-032	G7	C5	C5-272-B-1	H21		
2EF		124911-032	G7	C5-L Latching	C5-L-270-B-1	H22		
3EC		123423-028	G8	C5-L Latching	C5-L-272-B-1	H22		
3EC		123423-030	G8	C8	C8-271-M-36	H23		
3EC		123423-033	G8	C8	C8-272-M-36	H23		
3EF		124912-033	G8	C8	C8-273-M-36	H23		
4EC		129409-026	G9	Magnetic Latching	Tubular	1/2 x 1/2-Pull	F8	
4EC		129409-028	G9		Open Frame	C5-L-270-B-1	H22	
4EC		129409-031	G9		Open Frame	C5-L-272-B-1	H22	
4EF		129440-031	G9					
5SF		129450-024	G10					
5SF		129450-026	G10					

*Parts typically found in Distribution. Contact your local Ledex distributor, or see our website for the distributor nearest you.

Index of Part Numbers

121011-001	Quick Connect Rectifier	K5	810-362-5XX	Rotary 5B	D20
122654-001	Diode/Capacitor	K3	810-363-3XX	Rotary 3B	D14
122655-001	Diode/Capacitor	K3	810-363-5XX	Rotary 5B	D20
123421-0XX	Low Profile 1EC	G6	810-364-5XX	Rotary 5B	D20
123422-0XX	Low Profile 2EC	G7	810-365-3XX	Rotary 3B	D14
123423-0XX	Low Profile 3EC	G8	810-365-5XX	Rotary 5B	D20
124911-0XX	Low Profile 2EF	G7	810-366-3XX	Rotary 3B	D14
124912-0XX	Low Profile 3EF	G8	810-366-5XX	Rotary 5B	D20
126911-001	Diode/Capacitor	K3	810-367-3XX	Rotary 3B	D14
126913-001	Diode/Capacitor	K3	810-367-5XX	Rotary 5B	D20
129409-0XX	Low Profile 4EC	G9	810-368-3XX	Rotary 3B	D14
129440-0XX	Low Profile 4EF	G9	810-368-5XX	Rotary 5B	D20
129415-0XX	Low Profile 5EC	G11	810-369-5XX	Rotary 5B	D20
129450-0XX	Low Profile 5SF	G10	810-380-3XX	Rotary 3B	D14
151082-XXX	Tubular-Latch 1/2" Ø x 1/2" Pull	F8	810-380-5XX	Rotary 5B	D20
152160-001	Hold-In Module	K6	810-381-3XX	Rotary 3B	D14
173921-0XX	Low Profile 6EC	G13	810-381-5XX	Rotary 5B	D20
174419-0XX	Tubular 1-1/4" Ø Pull	F24	810-382-3XX	Rotary 3B	D14
174432-0XX	Tubular 1-1/2" Ø Pull	F25	810-382-5XX	Rotary 5B	D20
174534-0XX	Low Profile 0EC	G5	810-383-3XX	Rotary 3B	D14
187478-001	Hold-In Circuit Module	K6	810-383-5XX	Rotary 5B	D20
187789-0XX	Low Profile 6SF	G12	810-384-5XX	Rotary 5B	D20
190805-001	Diode/Capacitor	K3	810-385-3XX	Rotary 3B	D14
190810-001	Diode/Capacitor	K3	810-385-5XX	Rotary 5B	D20
190834-0XX	BTA 4EV	B7	810-386-3XX	Rotary 3B	D14
190835-0XX	BTA 5EV	B8	810-386-5XX	Rotary 5B	D20
190836-0XX	BTA 6EV	B9	810-387-3XX	Rotary 3B	D14
191016-0XX	Low Profile 8EC	G15	810-387-5XX	Rotary 5B	D20
191357-0XX	Low Profile 7EC	G14	810-388-3XX	Rotary 3B	D14
191993-0XX	Soft Shift 4EP	E7	810-388-5XX	Rotary 5B	D20
191994-0XX	Soft Shift 3EP	E6	810-389-5XX	Rotary 5B	D20
191995-0XX	Soft Shift 2EP	E5	810-490-3XX	Rotary 3B	D14
192907-0XX	Soft Shift 6EP	E9	810-490-5XX	Rotary 5B	D20
193015-0XX	Soft Shift 5EP	E8	810-491-3XX	Rotary 3B	D14
194580-0XX	Tubular 1-3/4" Ø Pull	F26	810-491-5XX	Rotary 5B	D20
194644-0XX	Ultimag 5EM	A6	810-492-3XX	Rotary 3B	D14
195190-0XX	BTA 2EV	B5	810-492-5XX	Rotary 5B	D20
195191-0XX	BTA 3EV	B6	810-493-3XX	Rotary 3B	D14
195200-XXX	Tubular 1/2" Ø x 1/2" Pull	F6	810-493-5XX	Rotary 5B	D20
195201-XXX	Tubular 1/2" Ø x 1/2" Push	F10	810-494-5XX	Rotary 5B	D20
195202-XXX	Tubular 1/2" Ø x 1" Pull	F12	810-495-3XX	Rotary 3B	D14
195203-XXX	Tubular 1/2" Ø x 1" Push	F14	810-495-5XX	Rotary 5B	D20
195204-XXX	Tubular 3/4" Ø x 1-1/2" Pull	F16	810-496-3XX	Rotary 3B	D14
195205-XXX	Tubular 3/4" Ø x 1-1/2" Push	F18	810-496-5XX	Rotary 5B	D20
195206-XXX	Tubular 1" Ø x 2" Pull	F20	810-497-3XX	Rotary 3B	D14
195207-XXX	Tubular 1" Ø x 2" Push	F22	810-497-5XX	Rotary 5B	D20
195622-0XX	BTA 2EV	B5	810-498-3XX	Rotary 3B	D14
195623-0XX	BTA 3EV	B6	810-498-5XX	Rotary 5B	D20
195624-0XX	BTA 4EV	B7	810-499-5XX	Rotary 5B	D20
195625-0XX	BTA 5EV	B8	810-640-3XX	Rotary 3B	D14
195626-0XX	BTA 6EV	B9	810-640-5XX	Rotary 5B	D20
197124-0XX	Ultimag 4EM	A4	810-641-3XX	Rotary 3B	D14
197126-0XX	Ultimag 6EM	A8	810-641-5XX	Rotary 5B	D20
810-280-3XX	Rotary 3B	D14	810-642-3XX	Rotary 3B	D14
810-280-5XX	Rotary 5B	D20	810-642-5XX	Rotary 5B	D20
810-281-3XX	Rotary 3B	D14	810-643-3XX	Rotary 3B	D14
810-281-5XX	Rotary 5B	D20	810-643-5XX	Rotary 5B	D20
810-282-3XX	Rotary 3B	D14	810-644-5XX	Rotary 5B	D20
810-282-5XX	Rotary 5B	D20	810-645-3XX	Rotary 3B	D14
810-283-3XX	Rotary 3B	D14	810-645-5XX	Rotary 5B	D20
810-283-5XX	Rotary 5B	D20	810-646-3XX	Rotary 3B	D14
810-284-5XX	Rotary 5B	D20	810-646-5XX	Rotary 5B	D20
810-285-3XX	Rotary 3B	D14	810-647-3XX	Rotary 3B	D14
810-285-5XX	Rotary 5B	D20	810-647-5XX	Rotary 5B	D20
810-286-3XX	Rotary 3B	D14	810-648-3XX	Rotary 3B	D14
810-286-5XX	Rotary 5B	D20	810-648-5XX	Rotary 5B	D20
810-287-3XX	Rotary 3B	D14	810-649-5XX	Rotary 5B	D20
810-287-5XX	Rotary 5B	D20	A-46502-003	Octal Plug-In Rectifier	K5
810-288-3XX	Rotary 3B	D14	B4HD-251-M-36	Box Frame, DC Operation	H6
810-288-5XX	Rotary 5B	D20	B4HD-252-M-36	Box Frame, DC Operation	H6
810-289-5XX	Rotary 5B	D20	B4HD-253-M-36	Box Frame, DC Operation	H6
810-360-3XX	Rotary 3B	D14	B4HD-254-M-36	Box Frame, DC Operation	H6
810-360-5XX	Rotary 5B	D20	B4HD-255-M-36	Box Frame, DC Operation	H6
810-361-3XX	Rotary 3B	D14	B11-251-M-36	Box Frame, DC Operation	H7
810-361-5XX	Rotary 5B	D20	B11-252-M-36	Box Frame, DC Operation	H7
810-362-3XX	Rotary 3B	D14	B11-253-M-36	Box Frame, DC Operation	H7

Index of Part Numbers

B11-254-M-36	Box Frame, DC Operation	H7	C5-L-268-B-1	C Frame, DC Operation	H22
B11-255-M-36	Box Frame, DC Operation	H7	C5-L-269-B-1	C Frame, DC Operation	H22
B14-253-B-1	Box Frame, DC Operation	H8	C5-L-270-B-1	C Frame, DC Operation	H22
B14-254-B-1	Box Frame, DC Operation	H8	C5-L-271-B-1	C Frame, DC Operation	H22
B14-255-B-1	Box Frame, DC Operation	H8	C5-L-272-B-1	C Frame, DC Operation	H22
B14-L-X53-B-4	Box Frame-Latch, DC Operation	H9	C5-L-273-B-1	C Frame, DC Operation	H22
B14-L-X54-B-4	Box Frame-Latch, DC Operation	H9	C8-269-M-36	C Frame, DC Operation	H23
B14-L-X55-B-4	Box Frame-Latch, DC Operation	H9	C8-270-M-36	C Frame, DC Operation	H23
B14-L-X56-B-4	Box Frame-Latch, DC Operation	H9	C8-271-M-36	C Frame, DC Operation	H23
B14-L-X58-B-4	Box Frame-Latch, DC Operation	H9	C8-272-M-36	C Frame, DC Operation	H23
B16-252-B-1	Box Frame, DC Operation	H10	C8-273-M-36	C Frame, DC Operation	H23
B16-253-B-1	Box Frame, DC Operation	H10	C8-274-M-36	C Frame, DC Operation	H23
B16-254-B-1	Box Frame, DC Operation	H10	C8-276-M-36	C Frame, DC Operation	H23
B16-255-B-1	Box Frame, DC Operation	H10	C9-269-M-36	C Frame, DC Operation	H24
B16-256-B-1	Box Frame, DC Operation	H10	C9-270-M-36	C Frame, DC Operation	H24
B16-258-B-1	Box Frame, DC Operation	H10	C9-271-M-36	C Frame, DC Operation	H24
B16-L-152-B-3	Box Frame-Latch, DC Operation	H11	C9-272-M-36	C Frame, DC Operation	H24
B16-L-153-B-3	Box Frame-Latch, DC Operation	H11	C9-273-M-36	C Frame, DC Operation	H24
B16-L-154-B-3	Box Frame-Latch, DC Operation	H11	C15-269-A-3	C Frame, DC Operation	H25
B16-L-155-B-3	Box Frame-Latch, DC Operation	H11	C15-270-A-3	C Frame, DC Operation	H25
B16-L-156-B-3	Box Frame-Latch, DC Operation	H11	C15-271-A-3	C Frame, DC Operation	H25
B16-L-158-B-3	Box Frame-Latch, DC Operation	H11	C15-272-A-3	C Frame, DC Operation	H25
B17-252-A-1	Box Frame, DC Operation	H12	C15-273-A-3	C Frame, DC Operation	H25
B17-253-A-1	Box Frame, DC Operation	H12	C26-269-M-36	C Frame, DC Operation	H26
B17-254-A-1	Box Frame, DC Operation	H12	C26-270-M-36	C Frame, DC Operation	H26
B17-255-A-1	Box Frame, DC Operation	H12	C26-271-M-36	C Frame, DC Operation	H26
B17-256-A-1	Box Frame, DC Operation	H12	C26-271-M-36	C Frame, DC Operation	H26
B17-258-A-1	Box Frame, DC Operation	H12	C26-273-M-36	C Frame, DC Operation	H26
B17-L-152-B-3	Box Frame-Latch, DC Operation	H13	C33-269-M-33	C Frame, DC Operation	H27
B17-L-153-B-3	Box Frame-Latch, DC Operation	H13	C33-270-M-33	C Frame, DC Operation	H27
B17-L-154-B-3	Box Frame-Latch, DC Operation	H13	C33-271-M-33	C Frame, DC Operation	H27
B17-L-155-B-3	Box Frame-Latch, DC Operation	H13	C33-272-M-33	C Frame, DC Operation	H27
B17-L-156-B-3	Box Frame-Latch, DC Operation	H13	C33-273-M-33	C Frame, DC Operation	H27
B17-L-158-B-3	Box Frame-Latch, DC Operation	H13	C34-269-M-33	C Frame, DC Operation	H28
B20-251-A-3	Box Frame, DC Operation	H14	C34-270-M-33	C Frame, DC Operation	H28
B20-252-A-3	Box Frame, DC Operation	H14	C34-271-M-33	C Frame, DC Operation	H28
B20-253-A-3	Box Frame, DC Operation	H14	C34-272-M-33	C Frame, DC Operation	H28
B20-254-A-3	Box Frame, DC Operation	H14	C34-273-M-33	C Frame, DC Operation	H28
B20-255-A-3	Box Frame, DC Operation	H14	H-1002-0XX	Rotary 6S	D24
B21-251-A-3	Box Frame, DC Operation	H15	H-1005-0XX	Rotary 6S	D24
B21-252-A-3	Box Frame, DC Operation	H15	H-1020-0XX	Rotary 5S	D22
B21-253-A-3	Box Frame, DC Operation	H15	H-1024-0XX	Rotary 2E	D12
B21-254-A-3	Box Frame, DC Operation	H15	H-1075-0XX	Rotary 3E	D16
B21-255-A-3	Box Frame, DC Operation	H15	H-1078-0XX	Rotary 6S	D24
B22-251-M-36	Box Frame, DC Operation	H16	H-1079-0XX	Rotary 2E	D12
B22-252-M-36	Box Frame, DC Operation	H16	H-1082-0XX	Rotary 5S	D22
B22-253-M-36	Box Frame, DC Operation	H16	H-1087-0XX	Rotary 5S	D22
B22-254-M-36	Box Frame, DC Operation	H16	H-1088-0XX	Rotary 2E	D12
B22-255-M-36	Box Frame, DC Operation	H16	H-1094-0XX	Rotary 2E	D12
B22-L-X51-M-36	Box Frame-Latch, DC Operation	H17	H-1112-0XX	Rotary 6S	D24
B22-L-X52-M-36	Box Frame-Latch, DC Operation	H17	H-1115-0XX	Rotary 4E	D18
B22-L-X53-M-36	Box Frame-Latch, DC Operation	H17	H-1125-0XX	Rotary 5S	D22
B22-L-X54-M-36	Box Frame-Latch, DC Operation	H17	H-1132-0XX	Rotary 4E	D18
B22-L-X55-M-36	Box Frame-Latch, DC Operation	H17	H-1135-0XX	Rotary 3E	D16
B27-251-A-3	Box Frame, DC Operation	H18	H-1140-0XX	Rotary 1E	D10
B27-252-A-3	Box Frame, DC Operation	H18	H-1141-0XX	Rotary 1E	D10
B27-253-A-3	Box Frame, DC Operation	H18	H-1142-0XX	Rotary 1E	D10
B27-254-A-3	Box Frame, DC Operation	H18	H-1143-0XX	Rotary 1E	D10
B27-255-A-3	Box Frame, DC Operation	H18	H-1144-0XX	Rotary 1E	D10
B41-251-B-1	Box Frame, DC Operation	H19	H-1145-0XX	Rotary 1E	D10
B41-252-B-1	Box Frame, DC Operation	H19	H-1146-0XX	Rotary 1E	D10
B41-253-B-1	Box Frame, DC Operation	H19	H-1147-0XX	Rotary 1E	D10
B41-254-B-1	Box Frame, DC Operation	H19	H-1148-0XX	Rotary 1E	D10
B41-255-B-1	Box Frame, DC Operation	H19	H-1149-0XX	Rotary 1E	D10
B75M-252-B-1	Box Frame, DC Operation	H20	H-1150-0XX	Rotary 1E	D10
B75M-253-B-1	Box Frame, DC Operation	H20	H-1151-0XX	Rotary 1E	D10
B75M-254-B-1	Box Frame, DC Operation	H20	H-1154-0XX	Rotary 5S	D22
B75M-255-B-1	Box Frame, DC Operation	H20	H-1155-0XX	Rotary 5S	D22
C5-267-B-1	C Frame, DC Operation	H21	H-1159-0XX	Rotary 2E	D12
C5-268-B-1	C Frame, DC Operation	H21	H-1168-0XX	Rotary 4E	D18
C5-269-B-1	C Frame, DC Operation	H21	H-1174-0XX	Rotary 4E	D18
C5-270-B-1	C Frame, DC Operation	H21	H-1178-0XX	Rotary 7S	D26
C5-271-B-1	C Frame, DC Operation	H21	H-1182-0XX	Rotary 6S	D24
C5-272-B-1	C Frame, DC Operation	H21	H-1197-0XX	Rotary 7S	D26
C5-273-B-1	C Frame, DC Operation	H21	H-1202-0XX	Rotary 6S	D24
C5-L-267-B-1	C Frame, DC Operation	H22	H-1218-0XX	Rotary 4E	D18

Index of Part Numbers

H-1226-OXX	Rotary 4E	D18	H-15089-OXX	Rotary 1E	D10
H-1230-OXX	Rotary 6S	D24	H-15091-OXX	Rotary 4E	D18
H-1244-OXX	Rotary 2E	D12	H-15094-OXX	Rotary 2E	D12
H-1245-OXX	Rotary 3E	D16	H-15095-OXX	Rotary 6S	D24
H-1246-OXX	Rotary 4E	D18	H-15097-OXX	Rotary 1E	D10
H-1247-OXX	Rotary 4E	D18	H-15103-OXX	Rotary 7S	D26
H-1248-OXX	Rotary 5S	D22	H-15104-OXX	Rotary 7S	D26
H-1258-OXX	Rotary 4E	D18	H-15107-OXX	Rotary 3E	D16
H-1263-OXX	Rotary 4E	D18	H-15111-OXX	Rotary 2E	D12
H-1282-OXX	Rotary 1E	D10	H-15116-OXX	Rotary 7S	D26
H-1286-OXX	Rotary 6S	D24	H-15120-OXX	Rotary 4E	D18
H-1291-OXX	Rotary 6S	D24	H-15121-OXX	Rotary 7S	D26
H-1294-OXX	Rotary 2E	D12	H-15122-OXX	Rotary 4E	D18
H-1305-OXX	Rotary 1E	D10	H-15123-OXX	Rotary 6S	D24
H-1306-OXX	Rotary 6S	D24	H-15125-OXX	Rotary 4E	D18
H-1307-OXX	Rotary 5S	D22	H-15127-OXX	Rotary 4E	D18
H-1308-OXX	Rotary 5S	D22	H-15128-OXX	Rotary 3E	D16
H-1309-OXX	Rotary 4E	D18	H-15131-OXX	Rotary 5S	D22
H-1310-OXX	Rotary 4E	D18	H-15134-OXX	Rotary 7S	D26
H-1311-OXX	Rotary 6S	D24	H-15135-OXX	Rotary 4E	D18
H-1312-OXX	Rotary 7S	D26	H-15136-OXX	Rotary 6S	D24
H-1313-OXX	Rotary 6S	D24	H-15137-OXX	Rotary 7S	D26
H-1316-OXX	Rotary 7S	D26	H-15148-OXX	Rotary 1E	D10
H-1317-OXX	Rotary 7S	D26	H-15150-OXX	Rotary 5S	D22
H-1330-OXX	Rotary 3E	D16	H-15158-OXX	Rotary 7S	D26
H-1334-OXX	Rotary 7S	D26	H-15165-OXX	Rotary 5S	D22
H-1344-OXX	Rotary 2E	D12	H-15200-OXX	Rotary 1E	D10
H-1345-OXX	Rotary 5S	D22	H-15201-OXX	Rotary 1E	D10
H-1351-OXX	Rotary 6S	D24	H-15202-OXX	Rotary 1E	D10
H-1352-OXX	Rotary 7S	D26	H-15203-OXX	Rotary 1E	D10
H-1353-OXX	Rotary 7S	D26	H-15204-OXX	Rotary 1E	D10
H-1354-OXX	Rotary 7S	D26	H-15205-OXX	Rotary 1E	D10
H-1355-OXX	Rotary 7S	D26	H-15206-OXX	Rotary 1E	D10
H-1356-OXX	Rotary 7S	D26	H-15207-OXX	Rotary 1E	D10
H-1357-OXX	Rotary 7S	D26	H-15208-OXX	Rotary 1E	D10
H-1390-OXX	Rotary 5S	D22	H-1521-OXX	Rotary 4E	D18
H-1423-OXX	Rotary 5S	D22	H-15210-OXX	Rotary 1E	D10
H-1428-OXX	Rotary 7S	D26	H-15211-OXX	Rotary 1E	D10
H-1431-OXX	Rotary 5S	D22	H-15212-OXX	Rotary 1E	D10
H-1435-OXX	Rotary 4E	D18	H-15213-OXX	Rotary 1E	D10
H-1467-OXX	Rotary 7S	D26	H-15214-OXX	Rotary 1E	D10
H-1480-OXX	Rotary 7S	D26	H-15215-OXX	Rotary 1E	D10
H-1481-OXX	Rotary 6S	D24	H-15216-OXX	Rotary 1E	D10
H-1483-OXX	Rotary 6S	D24	H-15217-OXX	Rotary 1E	D10
H-1484-OXX	Rotary 7S	D26	H-15218-OXX	Rotary 1E	D10
H-15000-OXX	Rotary 4E	D18	H-15219-OXX	Rotary 1E	D10
H-15001-OXX	Rotary 4E	D18	H-15220-OXX	Rotary 2E	D12
H-15004-OXX	Rotary 2E	D12	H-15221-OXX	Rotary 3E	D16
H-15005-OXX	Rotary 3E	D16	H-15222-OXX	Rotary 4E	D18
H-15009-OXX	Rotary 7S	D26	H-15223-OXX	Rotary 4E	D18
H-15011-OXX	Rotary 4E	D18	H-15224-OXX	Rotary 4E	D18
H-15013-OXX	Rotary 6S	D24	H-15225-OXX	Rotary 4E	D18
H-15014-OXX	Rotary 7S	D26	H-15226-OXX	Rotary 4E	D18
H-15015-OXX	Rotary 4E	D18	H-15227-OXX	Rotary 4E	D18
H-15016-OXX	Rotary 4E	D18	H-15228-OXX	Rotary 4E	D18
H-15020-OXX	Rotary 3E	D16	H-15229-OXX	Rotary 4E	D18
H-15021-OXX	Rotary 4E	D18	H-15230-OXX	Rotary 4E	D18
H-15023-OXX	Rotary 6S	D24	H-15231-OXX	Rotary 4E	D18
H-15024-OXX	Rotary 6S	D24	H-15232-OXX	Rotary 4E	D18
H-15030-OXX	Rotary 6S	D24	H-15233-OXX	Rotary 4E	D18
H-15036-OXX	Rotary 6S	D24	H-15234-OXX	Rotary 4E	D18
H-15039-OXX	Rotary 1E	D10	H-15235-OXX	Rotary 4E	D18
H-15040-OXX	Rotary 3E	D16	H-15236-OXX	Rotary 4E	D18
H-15046-OXX	Rotary 2E	D12	H-15237-OXX	Rotary 4E	D18
H-15054-OXX	Rotary 7S	D26	H-15238-OXX	Rotary 4E	D18
H-15055-OXX	Rotary 5S	D22	H-15239-OXX	Rotary 4E	D18
H-15061-OXX	Rotary 7S	D26	H-15305-OXX	Rotary 5S	D22
H-15064-OXX	Rotary 6S	D24	H-15306-OXX	Rotary 5S	D22
H-15066-OXX	Rotary 6S	D24	H-15307-OXX	Rotary 5S	D22
H-15067-OXX	Rotary 6S	D24	H-15308-OXX	Rotary 5S	D22
H-15071-OXX	Rotary 3E	D16	H-15309-OXX	Rotary 5S	D22
H-15072-OXX	Rotary 5S	D22	H-15310-OXX	Rotary 5S	D22
H-15076-OXX	Rotary 7S	D26	H-15311-OXX	Rotary 5S	D22
H-15080-OXX	Rotary 3E	D16	H-15312-OXX	Rotary 5S	D22
H-15084-OXX	Rotary 1E	D10	H-15313-OXX	Rotary 5S	D22
H-15085-OXX	Rotary 1E	D10	H-15314-OXX	Rotary 5S	D22

Index of Part Numbers

H-15315-0XX	Rotary 5S	D22	H-15614-0XX	Rotary 7S	D26
H-15316-0XX	Rotary 5S	D22	H-15615-0XX	Rotary 2E	D12
H-15317-0XX	Rotary 5S	D22	H-15616-0XX	Rotary 7S	D26
H-15318-0XX	Rotary 5S	D22	H-2001-0XX	Rotary 6S	D24
H-15319-0XX	Rotary 5S	D22	H-2008-0XX	Rotary 3E	D16
H-15320-0XX	Rotary 5S	D22	H-2010-0XX	Rotary 5S	D22
H-15321-0XX	Rotary 5S	D22	H-2016-0XX	Rotary 5S	D22
H-15322-0XX	Rotary 5S	D22	H-2050-0XX	Rotary 5S	D22
H-15323-0XX	Rotary 5S	D22	H-2057-0XX	Rotary 6S	D24
H-15324-0XX	Rotary 5S	D22	H-2071-0XX	Rotary 6S	D24
H-15325-0XX	Rotary 5S	D22	H-2072-0XX	Rotary 6S	D24
H-15326-0XX	Rotary 5S	D22	H-2073-0XX	Rotary 5S	D22
H-15327-0XX	Rotary 5S	D22	H-2074-0XX	Rotary 5S	D22
H-15328-0XX	Rotary 5S	D22	H-2075-0XX	Rotary 5S	D22
H-15329-0XX	Rotary 5S	D22	H-2116-0XX	Rotary 2E	D12
H-15330-0XX	Rotary 5S	D22	H-2117-0XX	Rotary 2E	D12
H-15331-0XX	Rotary 5S	D22	H-2126-0XX	Rotary 3E	D16
H-15332-0XX	Rotary 5S	D22	H-2127-0XX	Rotary 3E	D16
H-15333-0XX	Rotary 5S	D22	H-2128-0XX	Rotary 3E	D16
H-15334-0XX	Rotary 5S	D22	H-2136-0XX	Rotary 5S	D22
H-15335-0XX	Rotary 5S	D22	H-2150-0XX	Rotary 5S	D22
H-15336-0XX	Rotary 5S	D22	H-2159-0XX	Rotary 3E	D16
H-15337-0XX	Rotary 5S	D22	H-2168-0XX	Rotary 2E	D12
H-15338-0XX	Rotary 5S	D22	H-2181-0XX	Rotary 6S	D24
H-15339-0XX	Rotary 5S	D22	H-2184-0XX	Rotary 6S	D24
H-15400-0XX	Rotary 6S	D24	H-2185-0XX	Rotary 5S	D22
H-15401-0XX	Rotary 6S	D24	H-2186-0XX	Rotary 5S	D22
H-15402-0XX	Rotary 6S	D24	H-2193-0XX	Rotary 2E	D12
H-15403-0XX	Rotary 6S	D24	H-2209-0XX	Rotary 3E	D16
H-15404-0XX	Rotary 6S	D24	H-2216-0XX	Rotary 3E	D16
H-15405-0XX	Rotary 6S	D24	H-2223-0XX	Rotary 6S	D24
H-15406-0XX	Rotary 6S	D24	H-2259-0XX	Rotary 3E	D16
H-15407-0XX	Rotary 6S	D24	H-2262-0XX	Rotary 5S	D22
H-15408-0XX	Rotary 6S	D24	H-2264-0XX	Rotary 2E	D12
H-15409-0XX	Rotary 6S	D24	H-2265-0XX	Rotary 2E	D12
H-15410-0XX	Rotary 6S	D24	H-2268-0XX	Rotary 3E	D16
H-15411-0XX	Rotary 6S	D24	H-2269-0XX	Rotary 6S	D24
H-15412-0XX	Rotary 6S	D24	H-2276-0XX	Rotary 3E	D16
H-15413-0XX	Rotary 6S	D24	H-2288-0XX	Rotary 3E	D16
H-15414-0XX	Rotary 6S	D24	H-2289-0XX	Rotary 3E	D16
H-15415-0XX	Rotary 6S	D24	H-2293-0XX	Rotary 6S	D24
H-15416-0XX	Rotary 6S	D24	H-2296-0XX	Rotary 5S	D22
H-15417-0XX	Rotary 6S	D24	H-2300-0XX	Rotary 5S	D22
H-15418-0XX	Rotary 6S	D24	H-2303-0XX	Rotary 7S	D26
H-15419-0XX	Rotary 6S	D24	H-2309-0XX	Rotary 7S	D26
H-15420-0XX	Rotary 6S	D24	H-2310-0XX	Rotary 4E	D18
H-15421-0XX	Rotary 6S	D24	H-2323-0XX	Rotary 7S	D26
H-15422-0XX	Rotary 6S	D24	H-2328-0XX	Rotary 6S	D24
H-15423-0XX	Rotary 6S	D24	H-2330-0XX	Rotary 3E	D16
H-15424-0XX	Rotary 6S	D24	H-2346-0XX	Rotary 2E	D12
H-15425-0XX	Rotary 6S	D24	H-2349-0XX	Rotary 5S	D22
H-15426-0XX	Rotary 6S	D24	H-2355-0XX	Rotary 7S	D26
H-15427-0XX	Rotary 6S	D24	H-2362-0XX	Rotary 2E	D12
H-15428-0XX	Rotary 6S	D24	H-2382-0XX	Rotary 5S	D22
H-15429-0XX	Rotary 6S	D24	H-2383-0XX	Rotary 5S	D22
H-15485-0XX	Rotary 7S	D26	H-2388-0XX	Rotary 7S	D26
H-15486-0XX	Rotary 7S	D26	H-2389-0XX	Rotary 2E	D12
H-15487-0XX	Rotary 7S	D26	H-2390-0XX	Rotary 2E	D12
H-15488-0XX	Rotary 7S	D26	H-2397-0XX	Rotary 5S	D22
H-15490-0XX	Rotary 7S	D26	H-2400-0XX	Rotary 7S	D26
H-15491-0XX	Rotary 7S	D26	H-2404-0XX	Rotary 6S	D24
H-15492-0XX	Rotary 7S	D26	H-2411-0XX	Rotary 2E	D12
H-15493-0XX	Rotary 7S	D26	H-2412-0XX	Rotary 3E	D16
H-15494-0XX	Rotary 7S	D26	H-2413-0XX	Rotary 4E	D18
H-15495-0XX	Rotary 7S	D26	H-2414-0XX	Rotary 5S	D22
H-15496-0XX	Rotary 7S	D26	H-2415-0XX	Rotary 7S	D26
H-15497-0XX	Rotary 7S	D26	H-2419-0XX	Rotary 3E	D16
H-15498-0XX	Rotary 7S	D26	H-2434-0XX	Rotary 5S	D22
H-15499-0XX	Rotary 7S	D26	H-2436-0XX	Rotary 2E	D12
H-15500-0XX	Rotary 7S	D26	H-2437-0XX	Rotary 3E	D16
H-15501-0XX	Rotary 7S	D26	H-2444-0XX	Rotary 3E	D16
H-15502-0XX	Rotary 7S	D26	H-2450-0XX	Rotary 2E	D12
H-15503-0XX	Rotary 7S	D26	H-2452-0XX	Rotary 2E	D12
H-15504-0XX	Rotary 7S	D26	H-2453-0XX	Rotary 3E	D16
H-15505-0XX	Rotary 7S	D26	H-2477-0XX	Rotary 7S	D26
H-15506-0XX	Rotary 7S	D26	H-2479-0XX	Rotary 5S	D22

Index of Part Numbers

H-2480-0XX	Rotary 5S	D22	H-2978-0XX	Rotary 3E	D16
H-2481-0XX	Rotary 6S	D24	H-2980-0XX	Rotary 4E	D18
H-2483-0XX	Rotary 2E	D12	H-2992-0XX	Rotary 3E	D16
H-2484-0XX	Rotary 6S	D24	H-2994-0XX	Rotary 2E	D12
H-2485-0XX	Rotary 6S	D24	H-2995-0XX	Rotary 4E	D18
H-2490-0XX	Rotary 7S	D26	H-3002-0XX	Rotary 6S	D24
H-2510-0XX	Rotary 6S	D24	H-3004-0XX	Rotary 3E	D16
H-2512-0XX	Rotary 3E	D16	H-3007-0XX	Rotary 7S	D26
H-2522-0XX	Rotary 5S	D22	H-3037-0XX	Rotary 7S	D26
H-2527-0XX	Rotary 5S	D22	H-3044-0XX	Rotary 3E	D16
H-2537-0XX	Rotary 2E	D12	H-3045-0XX	Rotary 3E	D16
H-2542-0XX	Rotary 3E	D16	H-3055-0XX	Rotary 6S	D24
H-2550-0XX	Rotary 3E	D16	H-3057-0XX	Rotary 7S	D26
H-2555-0XX	Rotary 5S	D22	H-3069-0XX	Rotary 7S	D26
H-2556-0XX	Rotary 3E	D16	H-3070-0XX	Rotary 7S	D26
H-2560-0XX	Rotary 5S	D22	H-3071-0XX	Rotary 4E	D18
H-2562-0XX	Rotary 3E	D16	H-3074-0XX	Rotary 4E	D18
H-2563-0XX	Rotary 4E	D18	H-3084-0XX	Rotary 4E	D18
H-2590-0XX	Rotary 7S	D26	H-3096-0XX	Rotary 7S	D26
H-2592-0XX	Rotary 7S	D26	H-3108-0XX	Rotary 4E	D18
H-2593-0XX	Rotary 5S	D22	H-3112-0XX	Rotary 2E	D12
H-2613-0XX	Rotary 3E	D16	H-3117-0XX	Rotary 4E	D18
H-2616-0XX	Rotary 3E	D16	H-3125-0XX	Rotary 4E	D18
H-2626-0XX	Rotary 4E	D18	H-3126-0XX	Rotary 4E	D18
H-2634-0XX	Rotary 3E	D16	H-3136-0XX	Rotary 6S	D24
H-2640-0XX	Rotary 4E	D18	H-3148-0XX	Rotary 7S	D26
H-2643-0XX	Rotary 6S	D24	H-3151-0XX	Rotary 5S	D22
H-2645-0XX	Rotary 4E	D18	H-3169-0XX	Rotary 3E	D16
H-2650-0XX	Rotary 4E	D18	H-3189-0XX	Rotary 5S	D22
H-2657-0XX	Rotary 5S	D22	H-3208-0XX	Rotary 6S	D24
H-2658-0XX	Rotary 5S	D22	H-3230-0XX	Rotary 6S	D24
H-2661-0XX	Rotary 6S	D24	H-3238-0XX	Rotary 5S	D22
H-2668-0XX	Rotary 5S	D22	H-3244-0XX	Rotary 2E	D12
H-2669-0XX	Rotary 5S	D22	H-3245-0XX	Rotary 2E	D12
H-2670-0XX	Rotary 2E	D12	H-3249-0XX	Rotary 5S	D22
H-2671-0XX	Rotary 6S	D24	H-3258-0XX	Rotary 4E	D18
H-2681-0XX	Rotary 5S	D22	H-3259-0XX	Rotary 2E	D12
H-2685-0XX	Rotary 2E	D12	H-3264-0XX	Rotary 6S	D24
H-2698-0XX	Rotary 6S	D24	H-3265-0XX	Rotary 2E	D12
H-2708-0XX	Rotary 5S	D22	H-3271-0XX	Rotary 4E	D18
H-2711-0XX	Rotary 3E	D16	H-3276-0XX	Rotary 5S	D22
H-2712-0XX	Rotary 3E	D16	H-3278-0XX	Rotary 3E	D16
H-2714-0XX	Rotary 5S	D22	H-3279-0XX	Rotary 3E	D16
H-2722-0XX	Rotary 3E	D16	H-3289-0XX	Rotary 7S	D26
H-2723-0XX	Rotary 3E	D16	H-3308-0XX	Rotary 6S	D24
H-2741-0XX	Rotary 4E	D18	H-3311-0XX	Rotary 1E	D10
H-2744-0XX	Rotary 2E	D12	H-3324-0XX	Rotary 4E	D18
H-2747-0XX	Rotary 5S	D22	H-3334-0XX	Rotary 1E	D10
H-2748-0XX	Rotary 2E	D12	H-3350-0XX	Rotary 7S	D26
H-2809-0XX	Rotary 7S	D26	H-3352-0XX	Rotary 4E	D18
H-2817-0XX	Rotary 6S	D24	H-3362-0XX	Rotary 7S	D26
H-2826-0XX	Rotary 6S	D24	H-3365-0XX	Rotary 6S	D24
H-2845-0XX	Rotary 5S	D22	H-3374-0XX	Rotary 3E	D16
H-2858-0XX	Rotary 7S	D26	H-3375-0XX	Rotary 5S	D22
H-2861-0XX	Rotary 6S	D24	H-3376-0XX	Rotary 6S	D24
H-2862-0XX	Rotary 4E	D18	H-3377-0XX	Rotary 5S	D22
H-2869-0XX	Rotary 7S	D26	H-3378-0XX	Rotary 4E	D18
H-2874-0XX	Rotary 5S	D22	H-3379-0XX	Rotary 4E	D18
H-2875-0XX	Rotary 5S	D22	H-3380-0XX	Rotary 1E	D10
H-2893-0XX	Rotary 4E	D18	H-3381-0XX	Rotary 3E	D16
H-2900-0XX	Rotary 4E	D18	H-3384-0XX	Rotary 5S	D22
H-2902-0XX	Rotary 5S	D22	H-3385-0XX	Rotary 5S	D22
H-2906-0XX	Rotary 3E	D16	H-3397-0XX	Rotary 5S	D22
H-2916-0XX	Rotary 6S	D24	H-3398-0XX	Rotary 3E	D16
H-2929-0XX	Rotary 4E	D18	H-3399-0XX	Rotary 5S	D22
H-2930-0XX	Rotary 4E	D18	H-3400-0XX	Rotary 5S	D22
H-2933-0XX	Rotary 2E	D12	H-3401-0XX	Rotary 3E	D16
H-2936-0XX	Rotary 6S	D24	H-3402-0XX	Rotary 4E	D18
H-2940-0XX	Rotary 3E	D16	H-3405-0XX	Rotary 2E	D12
H-2942-0XX	Rotary 6S	D24	H-3406-0XX	Rotary 7S	D26
H-2950-0XX	Rotary 7S	D26	H-3421-0XX	Rotary 5S	D22
H-2952-0XX	Rotary 4E	D18	H-3425-0XX	Rotary 4E	D18
H-2957-0XX	Rotary 5S	D22	L-1002-0XX	Rotary 6S	D24
H-2964-0XX	Rotary 6S	D24	L-1005-0XX	Rotary 6S	D24
H-2967-0XX	Rotary 4E	D18	L-1024-0XX	Rotary 2E	D12
H-2975-0XX	Rotary 4E	D18			

Index of Part Numbers

L-1075-0XX	Rotary 3E	D16	L-15072-0XX	Rotary 5S	D22
L-1079-0XX	Rotary 2E	D12	L-15076-0XX	Rotary 7S	D26
L-1082-0XX	Rotary 5S	D22	L-15080-0XX	Rotary 3E	D16
L-1087-0XX	Rotary 5S	D22	L-15084-0XX	Rotary 1E	D10
L-1088-0XX	Rotary 2E	D12	L-15085-0XX	Rotary 1E	D10
L-1094-0XX	Rotary 2E	D12	L-15089-0XX	Rotary 1E	D10
L-1112-0XX	Rotary 6S	D24	L-15094-0XX	Rotary 2E	D12
L-1125-0XX	Rotary 5S	D22	L-15097-0XX	Rotary 1E	D10
L-1132-0XX	Rotary 4E	D18	L-15103-0XX	Rotary 7S	D26
L-1135-0XX	Rotary 3E	D16	L-15111-0XX	Rotary 2E	D12
L-1140-0XX	Rotary 1E	D10	L-15116-0XX	Rotary 7S	D26
L-1141-0XX	Rotary 1E	D10	L-15120-0XX	Rotary 4E	D18
L-1142-0XX	Rotary 1E	D10	L-15123-0XX	Rotary 6S	D24
L-1143-0XX	Rotary 1E	D10	L-15125-0XX	Rotary 4E	D18
L-1144-0XX	Rotary 1E	D10	L-15128-0XX	Rotary 3E	D16
L-1145-0XX	Rotary 1E	D10	L-15134-0XX	Rotary 7S	D26
L-1146-0XX	Rotary 1E	D10	L-15135-0XX	Rotary 4E	D18
L-1147-0XX	Rotary 1E	D10	L-15136-0XX	Rotary 6S	D24
L-1148-0XX	Rotary 1E	D10	L-15137-0XX	Rotary 7S	D26
L-1149-0XX	Rotary 1E	D10	L-15148-0XX	Rotary 1E	D10
L-1150-0XX	Rotary 1E	D10	L-15165-0XX	Rotary 5S	D22
L-1151-0XX	Rotary 1E	D10	L-15200-0XX	Rotary 1E	D10
L-1159-0XX	Rotary 2E	D12	L-15201-0XX	Rotary 1E	D10
L-1168-0XX	Rotary 4E	D18	L-15202-0XX	Rotary 1E	D10
L-1174-0XX	Rotary 4E	D18	L-15203-0XX	Rotary 1E	D10
L-1197-0XX	Rotary 7S	D26	L-15204-0XX	Rotary 1E	D10
L-1202-0XX	Rotary 6S	D24	L-15205-0XX	Rotary 1E	D10
L-1226-0XX	Rotary 4E	D18	L-15206-0XX	Rotary 1E	D10
L-1230-0XX	Rotary 6S	D24	L-15207-0XX	Rotary 1E	D10
L-1244-0XX	Rotary 2E	D12	L-15208-0XX	Rotary 1E	D10
L-1245-0XX	Rotary 3E	D16	L-15210-0XX	Rotary 1E	D10
L-1246-0XX	Rotary 4E	D18	L-15211-0XX	Rotary 1E	D10
L-1247-0XX	Rotary 4E	D18	L-15212-0XX	Rotary 1E	D10
L-1258-0XX	Rotary 4E	D18	L-15213-0XX	Rotary 1E	D10
L-1282-0XX	Rotary 1E	D10	L-15214-0XX	Rotary 1E	D10
L-1286-0XX	Rotary 6S	D24	L-15215-0XX	Rotary 1E	D10
L-1291-0XX	Rotary 6S	D24	L-15216-0XX	Rotary 1E	D10
L-1294-0XX	Rotary 2E	D12	L-15217-0XX	Rotary 1E	D10
L-1305-0XX	Rotary 1E	D10	L-15218-0XX	Rotary 1E	D10
L-1306-0XX	Rotary 6S	D24	L-15219-0XX	Rotary 1E	D10
L-1308-0XX	Rotary 5S	D22	L-15220-0XX	Rotary 2E	D12
L-1309-0XX	Rotary 4E	D18	L-152221-0XX	Rotary 3E	D16
L-1310-0XX	Rotary 4E	D18	L-15229-0XX	Rotary 4E	D18
L-1311-0XX	Rotary 6S	D24	L-15230-0XX	Rotary 4E	D18
L-1312-0XX	Rotary 7S	D26	L-15231-0XX	Rotary 4E	D18
L-1317-0XX	Rotary 7S	D26	L-15236-0XX	Rotary 4E	D18
L-1344-0XX	Rotary 2E	D12	L-15237-0XX	Rotary 4E	D18
L-1345-0XX	Rotary 5S	D22	L-15238-0XX	Rotary 4E	D18
L-1352-0XX	Rotary 7S	D26	L-15412-0XX	Rotary 6S	D24
L-1354-0XX	Rotary 7S	D26	L-15417-0XX	Rotary 6S	D24
L-1355-0XX	Rotary 7S	D26	L-15418-0XX	Rotary 6S	D24
L-1356-0XX	Rotary 7S	D26	L-15424-0XX	Rotary 6S	D24
L-1423-0XX	Rotary 5S	D22	L-15485-0XX	Rotary 7S	D26
L-1428-0XX	Rotary 7S	D26	L-15491-0XX	Rotary 7S	D26
L-1431-0XX	Rotary 5S	D22	L-15492-0XX	Rotary 7S	D26
L-1467-0XX	Rotary 7S	D26	L-15493-0XX	Rotary 7S	D26
L-15000-0XX	Rotary 4E	D18	L-15498-0XX	Rotary 7S	D26
L-15001-0XX	Rotary 4E	D18	L-15502-0XX	Rotary 7S	D26
L-15004-0XX	Rotary 2E	D12	L-15503-0XX	Rotary 7S	D26
L-15005-0XX	Rotary 3E	D16	L-15615-0XX	Rotary 2E	D12
L-15009-0XX	Rotary 7S	D26	L-15616-0XX	Rotary 7S	D26
L-15011-0XX	Rotary 4E	D18	L-2008-0XX	Rotary 3E	D16
L-15013-0XX	Rotary 6S	D24	L-2016-0XX	Rotary 5S	D22
L-15014-0XX	Rotary 7S	D26	L-2050-0XX	Rotary 5S	D22
L-15015-0XX	Rotary 4E	D18	L-2057-0XX	Rotary 6S	D24
L-15016-0XX	Rotary 4E	D18	L-2073-0XX	Rotary 5S	D22
L-15020-0XX	Rotary 3E	D16	L-2116-0XX	Rotary 2E	D12
L-15023-0XX	Rotary 6S	D24	L-2117-0XX	Rotary 2E	D12
L-15024-0XX	Rotary 6S	D24	L-2126-0XX	Rotary 3E	D16
L-15036-0XX	Rotary 6S	D24	L-2127-0XX	Rotary 3E	D16
L-15039-0XX	Rotary 1E	D10	L-2136-0XX	Rotary 5S	D22
L-15046-0XX	Rotary 2E	D12	L-2159-0XX	Rotary 3E	D16
L-15054-0XX	Rotary 7S	D26	L-2168-0XX	Rotary 2E	D12
L-15064-0XX	Rotary 6S	D24	L-2184-0XX	Rotary 6S	D24
L-15066-0XX	Rotary 6S	D24	L-2185-0XX	Rotary 5S	D22
L-15067-0XX	Rotary 6S	D24	L-2186-0XX	Rotary 5S	D22

Index of Part Numbers

L-2193-0XX	Rotary 2E	D12	L-2723-0XX	Rotary 3E	D16
L-2209-0XX	Rotary 3E	D16	L-2741-0XX	Rotary 4E	D18
L-2216-0XX	Rotary 3E	D16	L-2744-0XX	Rotary 2E	D12
L-2259-0XX	Rotary 3E	D16	L-2748-0XX	Rotary 2E	D12
L-2264-0XX	Rotary 2E	D12	L-2817-0XX	Rotary 6S	D24
L-2265-0XX	Rotary 2E	D12	L-2845-0XX	Rotary 5S	D22
L-2268-0XX	Rotary 3E	D16	L-2861-0XX	Rotary 6S	D24
L-2269-0XX	Rotary 6S	D24	L-2874-0XX	Rotary 5S	D22
L-2276-0XX	Rotary 3E	D16	L-2875-0XX	Rotary 5S	D22
L-2300-0XX	Rotary 5S	D22	L-2893-0XX	Rotary 4E	D18
L-2309-0XX	Rotary 7S	D26	L-2900-0XX	Rotary 4E	D18
L-2323-0XX	Rotary 7S	D26	L-2906-0XX	Rotary 3E	D16
L-2328-0XX	Rotary 6S	D24	L-2916-0XX	Rotary 6S	D24
L-2330-0XX	Rotary 3E	D16	L-2933-0XX	Rotary 2E	D12
L-2346-0XX	Rotary 2E	D12	L-2942-0XX	Rotary 6S	D24
L-2355-0XX	Rotary 7S	D26	L-2950-0XX	Rotary 7S	D26
L-2362-0XX	Rotary 2E	D12	L-2952-0XX	Rotary 4E	D18
L-2383-0XX	Rotary 5S	D22	L-2964-0XX	Rotary 6S	D24
L-2388-0XX	Rotary 7S	D26	L-2975-0XX	Rotary 4E	D18
L-2389-0XX	Rotary 2E	D12	L-2978-0XX	Rotary 3E	D16
L-2390-0XX	Rotary 2E	D12	L-2980-0XX	Rotary 4E	D18
L-2397-0XX	Rotary 5S	D22	L-2992-0XX	Rotary 3E	D16
L-2411-0XX	Rotary 2E	D12	L-2994-0XX	Rotary 2E	D12
L-2412-0XX	Rotary 3E	D16	L-2995-0XX	Rotary 4E	D18
L-2413-0XX	Rotary 4E	D18	L-3007-0XX	Rotary 7S	D26
L-2414-0XX	Rotary 5S	D22	L-3044-0XX	Rotary 3E	D16
L-2415-0XX	Rotary 7S	D26	L-3045-0XX	Rotary 3E	D16
L-2419-0XX	Rotary 3E	D16	L-3055-0XX	Rotary 6S	D24
L-2434-0XX	Rotary 5S	D22	L-3057-0XX	Rotary 7S	D26
L-2436-0XX	Rotary 2E	D12	L-3070-0XX	Rotary 7S	D26
L-2437-0XX	Rotary 3E	D16	L-3071-0XX	Rotary 4E	D18
L-2444-0XX	Rotary 3E	D16	L-3096-0XX	Rotary 7S	D26
L-2450-0XX	Rotary 2E	D12	L-3108-0XX	Rotary 4E	D18
L-2452-0XX	Rotary 2E	D12	L-3112-0XX	Rotary 2E	D12
L-2453-0XX	Rotary 3E	D16	L-3125-0XX	Rotary 4E	D18
L-2477-0XX	Rotary 7S	D26	L-3126-0XX	Rotary 4E	D18
L-2479-0XX	Rotary 5S	D22	L-3136-0XX	Rotary 6S	D24
L-2480-0XX	Rotary 5S	D22	L-3148-0XX	Rotary 7S	D26
L-2481-0XX	Rotary 6S	D24	L-3151-0XX	Rotary 5S	D22
L-2483-0XX	Rotary 2E	D12	L-3169-0XX	Rotary 3E	D16
L-2484-0XX	Rotary 6S	D24	L-3189-0XX	Rotary 5S	D22
L-2485-0XX	Rotary 6S	D24	L-3208-0XX	Rotary 6S	D24
L-2490-0XX	Rotary 7S	D26	L-3238-0XX	Rotary 5S	D22
L-2510-0XX	Rotary 6S	D24	L-3244-0XX	Rotary 2E	D12
L-2512-0XX	Rotary 3E	D16	L-3245-0XX	Rotary 2E	D12
L-2527-0XX	Rotary 5S	D22	L-3258-0XX	Rotary 4E	D18
L-2537-0XX	Rotary 2E	D12	L-3259-0XX	Rotary 2E	D12
L-2555-0XX	Rotary 5S	D22	L-3265-0XX	Rotary 2E	D12
L-2556-0XX	Rotary 3E	D16	L-3271-0XX	Rotary 4E	D18
L-2560-0XX	Rotary 5S	D22	L-3276-0XX	Rotary 5S	D22
L-2562-0XX	Rotary 3E	D16	L-3308-0XX	Rotary 6S	D24
L-2590-0XX	Rotary 7S	D26	L-3311-0XX	Rotary 1E	D10
L-2592-0XX	Rotary 7S	D26	L-3324-0XX	Rotary 4E	D18
L-2593-0XX	Rotary 5S	D22	L-3334-0XX	Rotary 1E	D10
L-2613-0XX	Rotary 3E	D16	L-3352-0XX	Rotary 4E	D18
L-2616-0XX	Rotary 3E	D16	L-3362-0XX	Rotary 7S	D26
L-2634-0XX	Rotary 3E	D16	L-3365-0XX	Rotary 6S	D24
L-2650-0XX	Rotary 4E	D18	L-3374-0XX	Rotary 3E	D16
L-2657-0XX	Rotary 5S	D22	L-3376-0XX	Rotary 6S	D24
L-2658-0XX	Rotary 5S	D22	L-3378-0XX	Rotary 4E	D18
L-2668-0XX	Rotary 5S	D22	L-3379-0XX	Rotary 4E	D18
L-2669-0XX	Rotary 5S	D22	L-3380-0XX	Rotary 1E	D10
L-2670-0XX	Rotary 2E	D12	L-3384-0XX	Rotary 5S	D22
L-2681-0XX	Rotary 5S	D22	L-3397-0XX	Rotary 5S	D22
L-2685-0XX	Rotary 2E	D12	L-3398-0XX	Rotary 3E	D16
L-2698-0XX	Rotary 6S	D24	L-3401-0XX	Rotary 3E	D16
L-2708-0XX	Rotary 5S	D22	L-3405-0XX	Rotary 2E	D12
L-2711-0XX	Rotary 3E	D16	L-3406-0XX	Rotary 7S	D26
L-2712-0XX	Rotary 3E	D16	L-3421-0XX	Rotary 5S	D22
L-2722-0XX	Rotary 3E	D16			



ERMEC, S.L. BARCELONA
C/ Francesc Teixidó, 22
E-08918 Badalona
(Spain)

Tel.: (+34) 902 450 160
Fax: (+34) 902 433 088
ermec@ermec.org
www.ermec.org

ERMEC, S.L. MADRID
C/ Sagasta, 8, 1ª planta
E-28004 Madrid
(Spain)

PORTUGAL
portugal@ermec.com

Terms and Conditions

1. Acceptance of Buyer's order is expressly made conditional on assent to the terms and conditions set forth herein and on attachment(s) hereto and they shall constitute the complete agreement between the parties. These terms and conditions may not be varied, or Buyer's order terminated in any manner, unless by a written agreement with legal consideration subsequently signed by an authorized official of Saia-Burgess Inc., or Saia-Burgess USA Inc. (also referred to herein as "Company"). Other representatives of the Company are not authorized to vary the conditions herein set forth. Failure to specifically dissent to these terms and conditions within a reasonable time or Buyer's acceptance of any goods covered by this acknowledgment shall constitute acceptance of said terms and conditions and they shall be controlling in every case.
2. Unless stated to the contrary on the face hereof, all goods furnished hereunder will be shipped F.O.B. point of shipment, and title in and the right of possession to such goods pass to the Buyer upon the Company's delivery to carrier at point of shipment.
3. Unless stated to the contrary on the face hereof, prices on the goods covered by this acknowledgment are firm for thirty (30) days from date of this acknowledgment. Any goods which the Buyer requires to be shipped subsequent to thirty (30) days from said date are subject to price changes made from date of acknowledgment to date of shipment.
4. Tooling, set-up, fitting-up, drawings, design information and partial preparation charges when invoiced cover only part of the cost thereof to the Company. The Buyer does not acquire any right, title or interest in any tooling, set-up, fitting-up, drawings, design information or invention resulting therefrom.
5. All partial preparation charges shall be due within thirty (30) days of first article approval. Acceptance/rejection of first article must be made immediately but in no event later than thirty days after date of first article shipment, and such acceptance/rejection shall be based solely on the parts meeting the specifications contained in the Company's drawing for said part. Failure of the Buyer to submit in writing a rejection of first article within thirty (30) days after shipment shall be an admission by Buyer and conclusive proof that such goods are accepted.
6. All shipping dates are tentative. The Company will not be responsible for delays or nonperformance, directly or indirectly, caused by governmental regulations or requirements, acts of God, unavailability of materials, work stoppages, slowdowns, boycotts, and other causes (whether or not similar in nature to any of these hereinbefore specified) beyond the Company's reasonable control.
7. This Company's extensive line of goods requires close coordination of the Buyer's requirements with the Company's production schedules to avoid possible delays in shipment. Accordingly, the Company reserves the right to ship approximately fourteen (14) days in advance of shipping date.
8. The Company warrants that the goods delivered hereunder shall be free from defects in material, workmanship and fabrication. The WARRANTY shall extend for a period of (a) one (1) year after date of delivery of such goods to Buyer or (b) that period specified otherwise on the front of this document (the greater of such periods (a) or (b) hereinbefore to be known as "Warranty Period"). THE COMPANY MAKES NO WARRANTY EXPRESS, IMPLIED, (INCLUDING BUT NOT LIMITED TO WARRANTIES OF MERCHANTABILITY AND FITNESS FOR INTENDED PURPOSE), OR STATUTORY, OTHER THAN THE FOREGOING EXPRESS WARRANTY. Failure of Buyer to submit any claim hereunder within the Warranty Period after receipt of such goods shall be an admission by Buyer and conclusive proof that such articles are in every respect as warranted and shall release the Company from any and all claims for damage or loss sustained by Buyer. In the event Buyer submits a claim for breach of warranty within the required Warranty Period, the parties agree that Buyer's sole and exclusive remedy shall be the repair or replacement of such defective goods or a refund of the price of the defective goods. In no event shall the Company be liable for incidental or consequential damages or special, indirect or incidental damages arising out of, or as the result of, the sale, delivery, non-delivery, use of loss of use of goods or any part thereof, even though the Company has been negligent. This warranty is not intended to cover consumer products as defined in the Magnuson-Moss Warranty-Federal Trade Commission Improvement Act 15 U.S.C. Sections 2501-12. Goods delivered hereunder are not designed, intended, or authorized for use as components in systems intended for surgical implant into the body, or other applications intended to support or sustain life, or for any other application in which the failure of the Company product could create a situation where personal injury or death may occur. Should Buyer purchase or use Company goods for any such unintended or authorized application, Buyer shall indemnify and hold Company and its officers, employees, subsidiaries, agents, and affiliates harmless against all claims, costs, damages, and expenses, and reasonable attorney fees arising out of, directly or indirectly, any claim of personal injury or death associated with such unintended or unauthorized use, even if such claim alleges that Company was negligent regarding the design or manufacture of the goods. Any lawsuit or other action based upon breach of this contract or upon any other claim arising out of this sale (other than an action by the Company for any amount due to Company by Buyer) must be commenced within one (1) year from the date of the tender or delivery by the Company.
9. The Company agrees to indemnify and save Buyer harmless from third party claims by reason of known infringement of any patent, trademark or copyright relating to goods furnished hereunder.
10. Orders accepted by the Company cannot by countermanded or shipments deferred or goods returned except with authorization from the Company and the Company accepts no responsibility for goods returned without such authorization. When return of material is authorized by the Company, shipping charges on said returned material are to be prepaid F.O.B. Destination unless otherwise noted by the Company in its authorization to return. The Company shall not issue credit on any product which has been altered or defected in any way or upon which additional operations have been performed.
11. Contracts or orders are not subject to cancellation, change, reduction in amount, or suspension of deliveries except with the Company's consent and upon terms which indemnify it against loss; in the event Buyer cancels any order or portion thereof or fails to meet any obligation hereunder causing cancellation or rescheduling of any order or portion thereof or requests a rescheduling of scheduled shipments and such request is accepted by the Company, Buyer agrees to pay, at the Company's option, cancellation or reschedule charges as follows:
 - a. Any and all partial preparation charges then due or which may become due.
 - b. Sixty (60) to ninety (90) days prior to scheduled delivery, Buyer pays for all unique component parts at fair market value.
 - c. Forty-five (45) to sixty (60) days prior to scheduled delivery, Buyer pays for all unique component parts and work in process at fair market value.
 - d. Zero (0) to forty-five (45) days prior to scheduled delivery, Buyer cannot cancel or reschedule and will be shipped and billed to prior scheduled delivery.In the event that the Buyer does not accept shipment on the total purchase quantity within twelve (12) months after receipt by the Company of Buyer's order, the Company reserves the right to:
 - a. Adjust unit price applicable to this shipped quantity and to bill the Buyer for the accumulated differences.
 - b. Charge cancellation or rescheduling fees.
12. Factory service by personnel from the United States for loaned or purchased items, if required, is available at a charge. Contact the Company for applicable fees. Spare and replacement parts for the goods, can be purchased from the Company.
13. The Company shall have the right to suspend or cancel this agreement at any time upon Buyer making an assignment for the benefit of creditors; or becoming bankrupt or insolvent; or upon a petition being filed in a court of competent jurisdiction proposing the appointment of a receiver; or in the event that the Buyer be adjudicated bankrupt or insolvent or reorganized under the provisions of any applicable bankruptcy or insolvency act.
14. The Company represents that with respect to the production of the goods and/or the performance of the services stated herein, it has fully complied with all the applicable provisions of the Fair Labor Standards Act of 1938, as amended, including Sections 6, 7 and 12, regulations under section 14, and all other applicable administrative Regulations.
15. In connection with performance of work hereunder, the Company agrees to comply with all provisions, including specifically paragraphs (1) through (7), of Sec. 202, of Executive Order No. 11246 of September 12, 1965 as amended, and rules, regulations and orders pertaining thereto.
16. In addition to the rights and remedies reserved herein, the Company shall have all rights and remedies conferred by law and shall not be required to proceed with performance of the contract arising herefrom, if Buyer is in default to the Company under this or any other contract.
17. The Company disclaims any liability for damages for delays in delivery or non-delivery of goods ordered caused in whole or in part by shortages or unavailability of energy and/or materials or supplies unless other arrangements in writing have been made with the Company covering the goods ordered.
18. Unless specifically noted hereon, qualification tests and any test data are not included in the selling price. Qualification tests may be performed by the Company and test data supplied at the specific request and expense of the Buyer.
19. Unless otherwise specifically noted on the front of this document, payment terms are Net 30 Days. All payments received beyond the stipulated payment terms will incur interest at the rate of 1.5% per month. If Company shall at any time doubt Buyer's financial responsibility, Company may demand adequate assurance of due performance or decline to make any further shipments except upon receipt of cash payment in advance or security. If Company demands adequate assurance of due performance and the same is not forthcoming within ten (10) days after the date of Company's demand, Company may, at its option, (i) continue to defer further shipments under this order and/or any other order from Buyer which has been accepted by Company until adequate assurance is received, or (ii) cancel this order and/or other orders from Buyer which have been accepted by Company and recover damages. If Buyer fails in any way to fulfill the terms and conditions herein, Company may defer further shipments until such default is corrected or cancel this order and recover damages. Company shall have a security interest in, and lien upon, any property of Buyer in Company's possession as security for the payment of any amounts owing to Company by Buyer.
20. Neither party may assign any of its rights or obligations hereunder without the prior written consent of the other except that Company shall have the right to assign to any company with which it is affiliated or to any corporation into which it shall be merged, with which it shall be consolidated, or by which it, or all or substantially all of its assets, shall be acquired.
21. In the event that any portion hereof shall violate any applicable statute, ordinance, or rule of law, such provision shall be ineffective to the extent of such violation without invalidating any other provision hereof. This document and the sale of all goods shall be governed by and construed in accordance with the laws of the State of Virginia.
22. The products produced by The Company are typically designed by The Company. As such, the Company reserves the right to make design changes and to authorize concessions for all catalog and standard designs without customer notification. Customer approval will be sought on other special, customer-specific designs when the change or concessions affects a form, fit or function characteristic. When a customer contract provides for customer control of the design but also allows the sub-contractor to request MRB authority from the customer, this statement is to be considered as a formal request for such authority.
23. Ledex® and Dormeyer® catalog solenoid products produced after April 1, 2006 are RoHS compliant. Requests for customer special RoHS designs are handled on a case-by-case basis. If an existing solenoid design must undergo a change process to become RoHS compliant, and if this results in obsolete inventory, the customer will be charged for this obsolescence. Most Saia-Burgess switch and motor products are also RoHS compliant but customers need to verify specific part numbers with Saia-Burgess Inc.
24. Saia-Burgess reserves the right to pass raw material and / or energy surcharges on to customers in times of unusual escalation in these material / energy costs.

Headquarters

Johnson Electric Holdings Limited
Johnson Building, 6-22 Dai Shun St, Tai Po Industrial
Estate, New Territories

Hong Kong

Tel: +852 2663 6688
Fax: +852 2897 2054
e-mail: salesupport@johnsonelectric.com

Sales Offices

Asia

Shanghai, China

12/F, Hua Rong Tower
1289 Pudong Road South

Shanghai

200122 China
T +86 21 5882 2880
F +86 21 5882 2800

Tokyo, Japan

Keihin Higashi-Ohi Bldg.
10/F, 2-13-8 Higashi-Ohi
Shinagawa-ku

Tokyo 140-0011 Japan

T +81 3 5762 1031
F +81 3 5762 1032

Seoul, Korea

Misung Bldg B127, 115-7
Nonhyun-Dong, Kangnam-Gu,

Seoul, Korea 135-010

T +82 2 518 8347/8341
F +82 2 518 8342

Singapore

50 Raffles Place #24-02,
Singapore Land Tower

Singapore 048623

T +65 6224 7570
F +65 6224 4538

Europe

Austria

Slovenia, Slovakia, Hungary,
Czech Republic
Linzer Bundesstrasse 101

A-5023 Salzburg

T +43 662 88 4910
F +43 662 88 4910 11

France

10 Bld. Louise Michel
F-92230 **Gennevilliers**
T +33 1 46 88 07 70
F +33 1 46 88 07 99

78 Boulevard du 11 Novembre

69003 Villeurbanne

T +33 4 37 48 84 60
F +33 4 72 43 90 11

Germany

Sweden, Denmark,

Norway, Finland

Weissenpferd 9
D-58553 **Halver**
T +49 2353 911 0
F +49 2353 911 230

Italy

Via Cadamosto 3
I-20094 Corsico, **Milano**
T +39 02 4869 21
F +39 02 4860 0692

1, Via Vittime di Piazza Fontana

I-10024 Moncalieri

T +39 011 68 05 401
F +39 011 68 05 411

Switzerland

Poland, Spain, Turkey, Portugal

Bahnhofstrasse 18

CH-3280 Murten

T +41 26 672 71 11
F +41 26 670 19 83

The Netherlands/Belgium

Hanzeweg 12c

NL-2803 **MC Gouda**

T +31 1825 43 154
F +31 1825 43 151

United Kingdom/Ireland

Dukesway
Team Valley Trading Estate

Gateshead

Tyne & Wear NE11 0UB
United Kingdom

T +44 191 401 61 00

F +44 191 401 63 05

Americas

Connecticut

10 Progress Drive, **Shelton,**
CT 06484, USA

T +1 203 447 5362
F +1 203 447 5383

Illinois

3115 N. Wilke Road - Suite C

Arlington Heights,

IL 60004

T +1 847 368 2146
F +1 847 368 2152

Ohio

801 Scholz Drive

Vandalia, OH 45377

T +1 937 454 2345
F +1 937 898 8624

Ontario, Canada

70 Ironside Crescent Unit 7

Scarborough, Ontario

M1X 1G4 Canada

T +1 416 299 0852
F +1 416 299 6756

Sao Paulo, Brazil

Av. Papa Joao Paulo I - 1256
CEP 07170-350

Guarulhos Sao Paulo, Brazil

T (55) 11-643 156 00
F (55) 11-643 247 11



ERMEC, S.L. BARCELONA
C/ Francesc Teixidó, 22
E-08918 Badalona
(Spain)

Tel.: (+34) 902 450 160
Fax: (+34) 902 433 088
ermec@ermec.org
www.ermec.org

ERMEC, S.L. MADRID
C/ Sagasta, 8, 1ª planta
E-28004 Madrid
(Spain)

PORTUGAL
portugal@ermec.com

Johnson Electric Group

Johnson Building, 6-22 Dai Shun Street
Tai Po Industrial Estate, N.T., Hong Kong

Tel: (852) 2663 6688

Fax: (852) 2663 6110

Web Site: www.johnsonelectric.com



ERMEC, S.L. BARCELONA
C/ Francesc Teixidó, 22
E-08918 Badalona
(Spain)

Tel.: (+34) 902 450 160
Fax: (+34) 902 433 088
ermec@ermec.org
www.ermec.org

ERMEC, S.L. MADRID
C/ Sagasta, 8, 1ª planta
E-28004 Madrid
(Spain)

PORTUGAL
portugal@ermec.com