

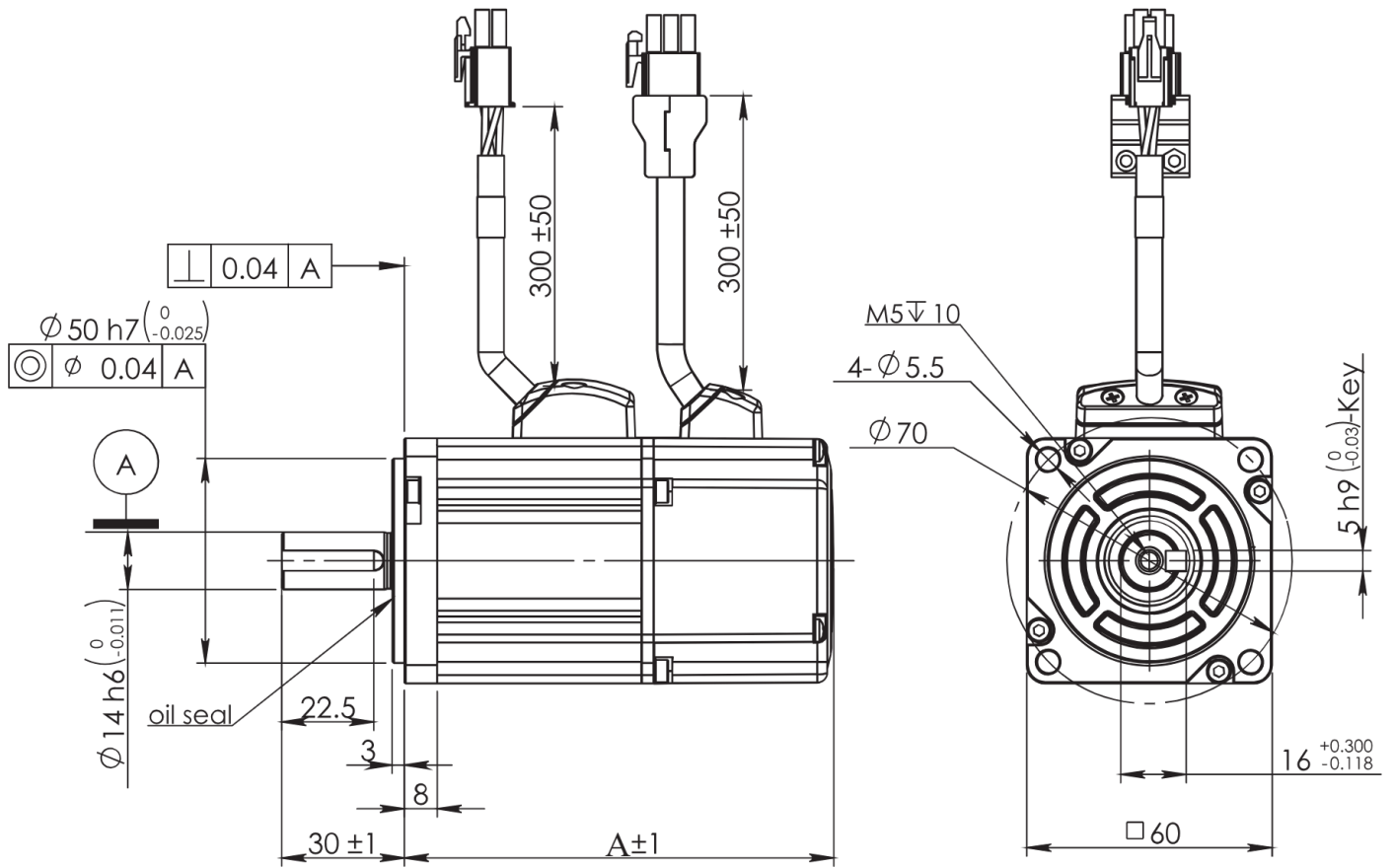
SBL60DC SERIES
SBL60D2-02
SERVO BLDC MOTOR

MOTOR SPECIFICATIONS

Frame Size	60 mm
Rated Voltage	60 VDC
Rated Output Power	400 W
Rated Speed	3000 RPM
Max Speed	6000 RPM
Rated Torque	1.27 Nm
Rated Current	10 A
Voltage Constant	7.5 V rms/ K rpm
Max Torque	3.4 Nm
Resistance	0.25 ohm
Terminal Inductance	0.84 mH
Torque Constant	0.124 Nm/A
Rotor Inertia	272 g-cm ²
Weight	1 kg

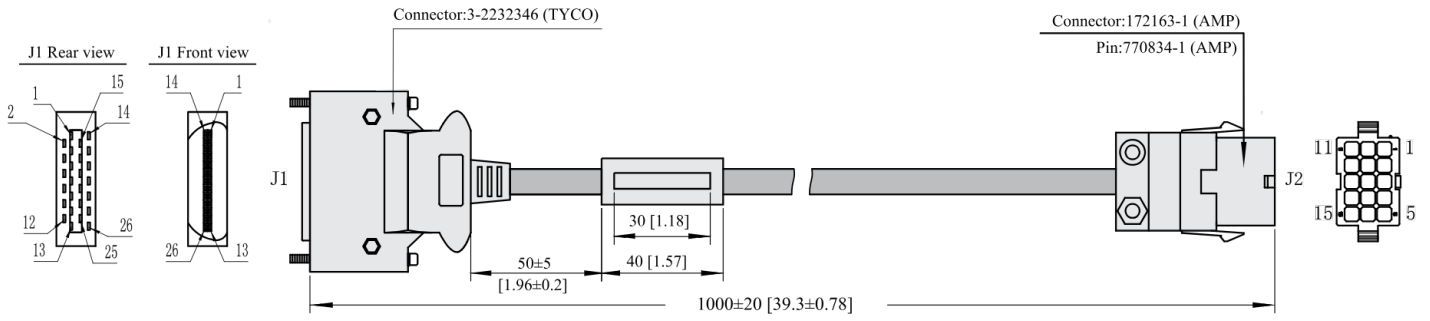
DIMENSIONS

Model	SBL60D2-02
DIM. A (length) mm Max	125 mm

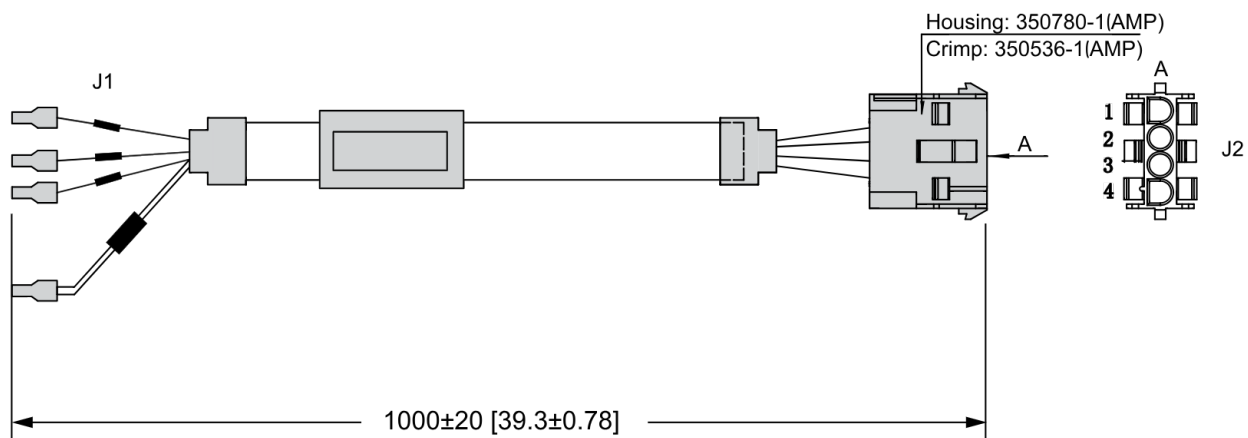


WIRE HARNESS

2624-100



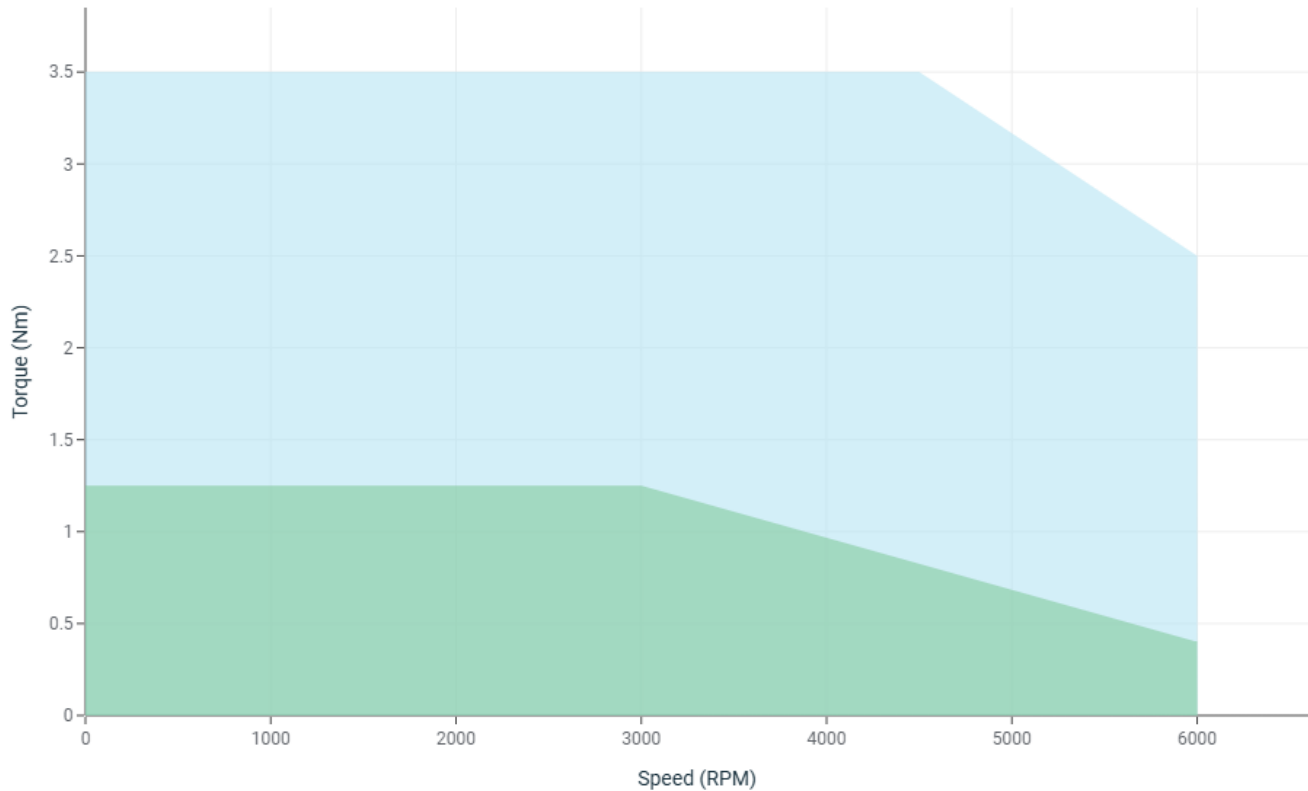
PINOUT DIAGRAMS			
SIGNAL	J1 CON	COLOR	J2 CON
+5V	11	Red	1
GND	24	Black	2
U+	4	Brown	3
U-	6	Brown/Black	4
V+	17	Grey	5
V-	19	Grey/Black	6
W+	5	White	7
W-	7	White/Black	8
A+	1	Blue/Black	9
A-	14	Blue	10
B+	2	Green	11
B-	15	Green/Black	12
Z+	3	Yellow	13
Z-	16	Yellow/Black	14
SHIELD			15



Signal	Colour	Connect to motor
		AMP 350780-1
U	Red	1
V	Yellow	2
W	Blue	3
PE	Yellow/Green	4

PERFORMANCE CURVE

SBL60D2-02
60 VDC, 10 A



Motion Control, **Solved.**

Motor Engineering and Manufacturing



*Optimized For
Your
Applications*



*Quick Prototype
Turnaround*



*Small Batch to
OEM Volume
Production*



*US Based
Support &
Manufacturing*