

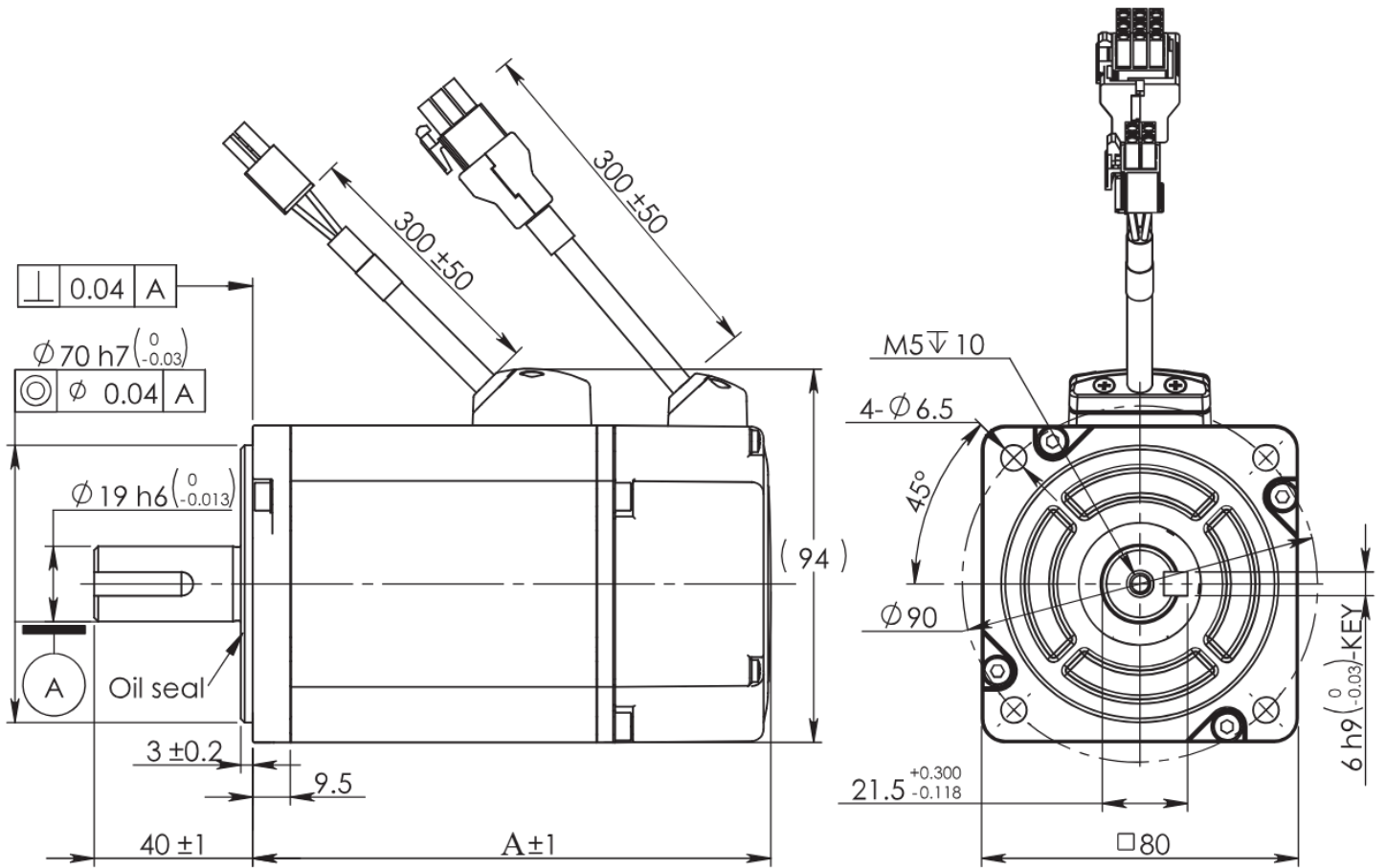
**SBL80DC SERIES**  
**SBL80D1-03**  
SERVO BLDC MOTOR

## MOTOR SPECIFICATIONS

<b>Frame Size</b>	80 mm
<b>Rated Voltage</b>	48 VDC
<b>Rated Output Power</b>	300 W
<b>Rated Speed</b>	3000 RPM
<b>Max Speed</b>	6000 RPM
<b>Rated Torque</b>	0.95 Nm
<b>Rated Current</b>	10 A
<b>Voltage Constant</b>	6.2 V rms/ K rpm
<b>Max Torque</b>	2.3 Nm
<b>Resistance</b>	0.188 ohm
<b>Terminal Inductance</b>	0.85 mH
<b>Torque Constant</b>	0.096 Nm/A
<b>Rotor Inertia</b>	450 g-cm <sup>2</sup>
<b>Weight</b>	1 kg

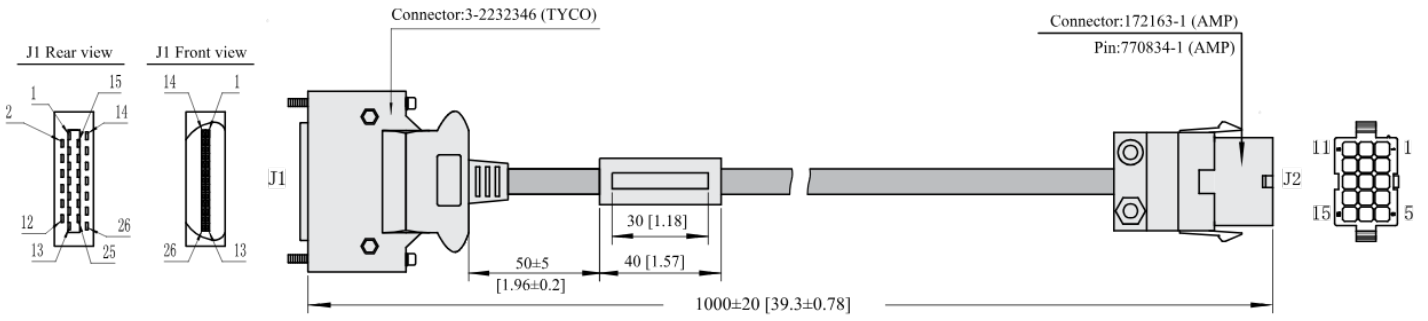
# DIMENSIONS

<b>Model</b>	SBL80D1-03
<b>DIM. A (length) mm Max</b>	101 mm



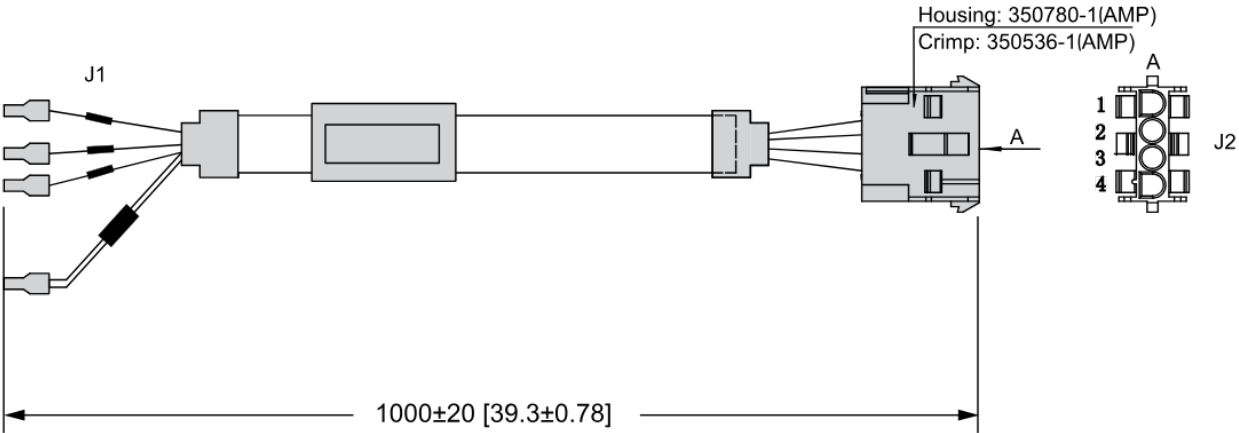
# WIRE HARNESS

## 2624-100



PINOUT DIAGRAMS			
SIGNAL	J1 CON	COLOR	J2 CON
+5V	11	Red	1
GND	24	Black	2
U+	4	Brown	3
U-	6	Brown/Black	4
V+	17	Grey	5
V-	19	Grey/Black	6
W+	5	White	7
W-	7	White/Black	8
A+	1	Blue/Black	9
A-	14	Blue	10
B+	2	Green	11
B-	15	Green/Black	12
Z+	3	Yellow	13
Z-	16	Yellow/Black	14
SHIELD			15

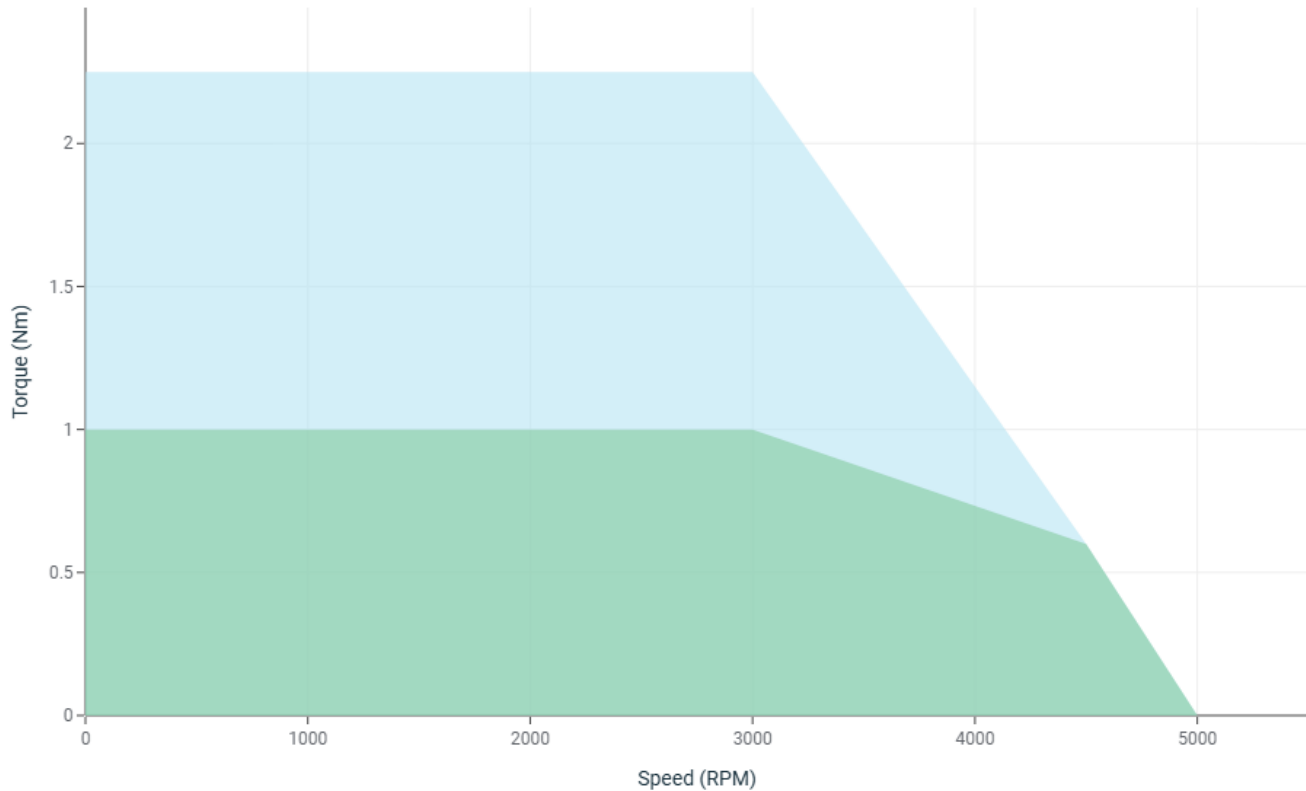
# 1627-100



Signal	Colour	Connect to motor
		AMP 350780-1
U	Red	1
V	Yellow	2
W	Blue	3
PE	Yellow/Green	4

## PERFORMANCE CURVE

**SBL80D1-03**  
48 VDC, 10 A



# Motion Control, **Solved.**

## Motor Engineering and Manufacturing



*Optimized For  
Your  
Applications*



*Quick Prototype  
Turnaround*



*Small Batch to  
OEM Volume  
Production*



*US Based  
Support &  
Manufacturing*