

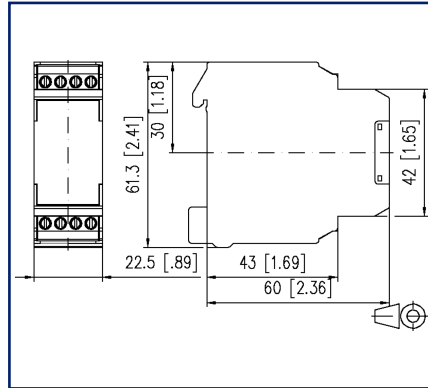
Data sheet

VEIk-E08, 230V AC, 24V AC/DC tp 0.05-250 s, ti 0.05-250 s

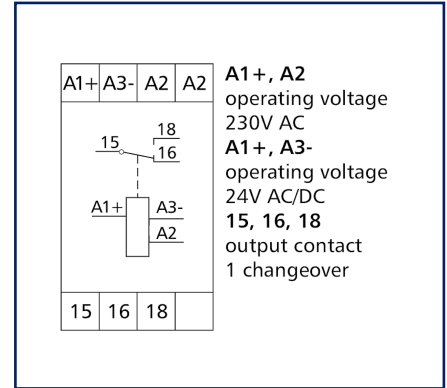
Illustrations



Dimensional drawing



Wiring diagram



See enlarged drawings at the end of document

Product specification

Single pulse generator with separately adjustable pause and pulse time. When the operating voltage is switched on, the output relay remains in the idle position for the duration of the pause time (tp) and then energises for the duration of the pulse time (ti). After briefly (tw) removing the operating voltage, the process is repeated.

- Single pulse generator
- Adjustable pause and pulse time
- Adjustable time ranges
- LED indicator
- Connection with screw type terminal blocks
- Not intended for marketing in North America

Technical Data

Supply	
Operating voltage	230 V AC / 24 V AC/DC -10% ... +10%
Frequency range	50 ... 60 Hz
Power consumption	
Power consumption 230 V AC	5.2 VA
Power consumption 24 V AC	0.5 VA
Power consumption 24 V DC	0.3 W
Duty cycle relative	100 %
Recovery time	> 50 ms
Protection circuit	Polarity reversal protection of operating voltage Varistor against interference voltage
Time Ranges	
Time range break	tp 0.05 - 250 s
Time range impulse	ti 0.05 - 250 s
Repeatability	0.1 %
Outputs	
Contacts	1 changeover contact
Contact material	AgSnO ₂
Switching voltage (max.)	250 V AC
Continuous Current	6 A
Protection	6 A
Switching frequency	1200 switching cycles/h
Mechanical life	2x10 ⁷ switching cycles
Electrical life	1x10 ⁵ switching cycles
Indicator	green and red LED
Insulation coil - contact set	
Nominal voltage of the power supply system	230 / 400 V AC
Overvoltage category	III II
Degree of pollution	2 2
Rated test voltage	4 kV 2.5 kV
Type of insulation	basic insulation reinforced insulation

Technical Data

Housing	
Dimensions	
Dimension (W x H x D)	22.5 mm x 60 mm x 60 mm
Dimension (W x H x D)	0.886 in. x 2.362 in. x 2.362 in.
Weight	70 g
Mounting style	Standard rail TH35
Mounting position	any
Apposition	without distance
Connection type	Screw type terminal blocks
Terminal blocks	
Wire cross section solid	0.34 mm ² - 2.5 mm ² / AWG 22-12
Wire cross section multi	0.25 mm ² - 2.5 mm ² / AWG 22-12
Wire cross section with wire ferrule	0.25 mm ² - 2.5 mm ² / AWG 22-12
Screw torque (max.)	0.5 Nm
Stripping length (min.)	8 mm
Material	
Material - Housing	PA
Color	gray
Material - Terminal block	PA
Material - Covers	PA
Protection category according to IEC 60529	
Protection category - housing (acc. to IEC 60529)	IP40
Protection category - terminal blocks (acc. to IEC 60529)	IP20
Climatic Data	
Operating	
Temperature - Operating °C	-10 °C - 55 °C
Temperature - Operating °F	14 °F - 131 °F
Relative humidity	max. 85 % non-condensing
Storage	
Temperature - Storage °C	-25 °C - 70 °C
Temperature - Storage °F	-13 °F - 158 °F

Technical Data

Power loss

Power loss (typical)	1 W
----------------------	-----

Classifications

ETIM 7.0	EC001439
----------	----------

ETIM 8.0	EC001439
----------	----------

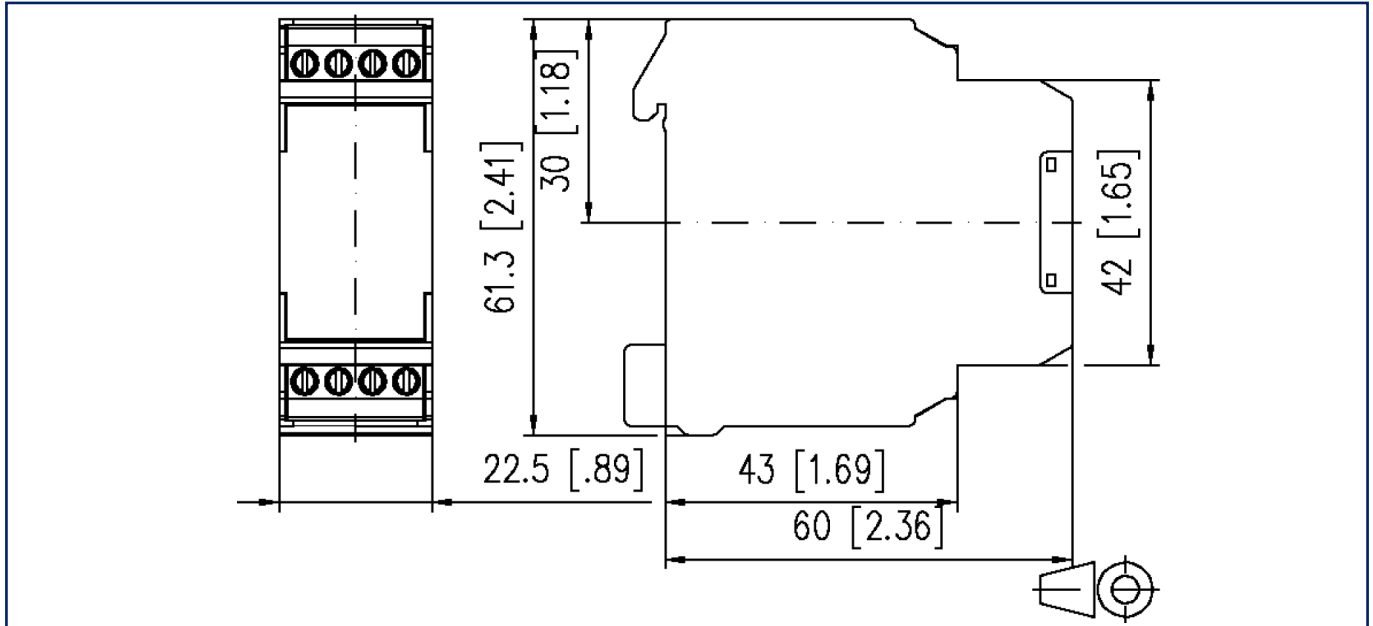
ETIM 9.0	EC001439
----------	----------

Application note

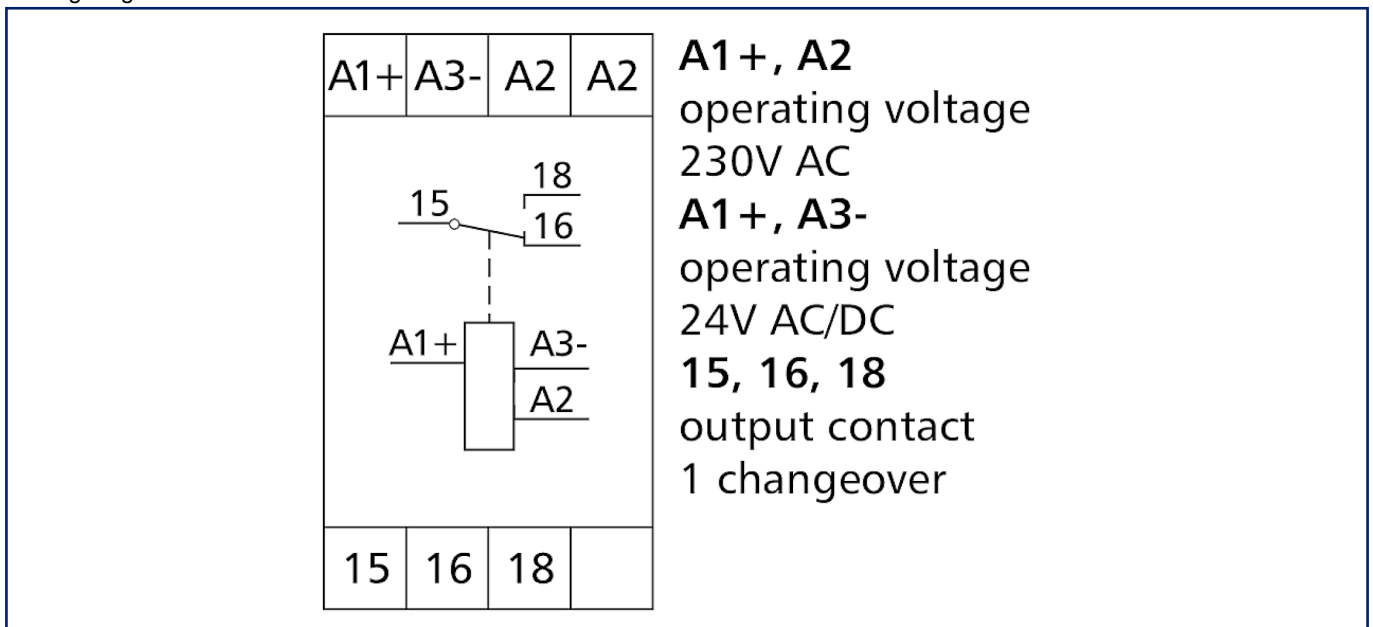
This product is a standard product of METZ CONNECT. METZ CONNECT is not aware of the specific intended use of the goods by the Customer or any customers of the Customer. The Customer guarantees that it has fully and sufficiently tested the use of the goods and any product modifications, product changes or product enhancements with regard to the specific intended use in accordance with the state of the art or in any other way. At METZ CONNECT's request, the Customer shall submit and make available meaningful evidence (e.g. test and laboratory protocols, certifications, etc.).

Illustrations

Dimensional drawing



Wiring diagram



Illustrations

Function diagram

