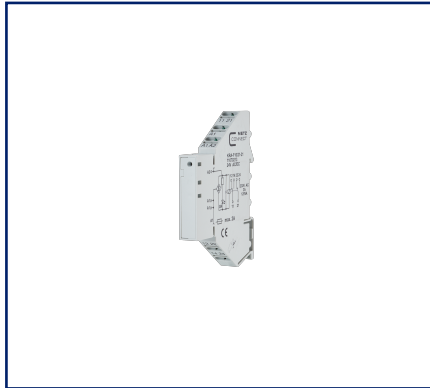


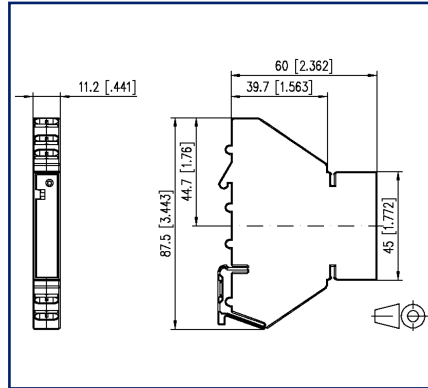
# Data sheet

## KRA-F10/21-21, 2 changeover contacts, 24 V AC/DC

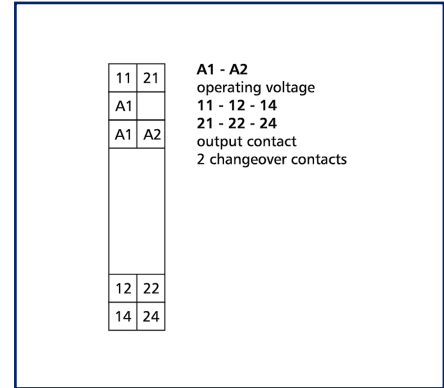
### Illustrations



Dimensional drawing



Wiring diagram



See enlarged drawings at the end of document

### Product specification

Coupling devices are used to electrical isolation between logic and load.

- Connection with spring-clamp terminal
- Additional terminals for jumper
- Test contacts for each terminal
- safe separation
- Not intended for marketing in North America



### Technical Data

Supply	
Operating voltage	24 V AC/DC -15% ... +10%
Power consumption (max.)	16 mA
Response time typical	10 ms
Release time typical	5 ms
Outputs	
Contacts	2 changeover contacts
Contact material	AgSnO <sub>2</sub>
Switching voltage (max.)	250 V AC
Continuous Current	3 A
Switching frequency	300 switching cycles/h
Breaking capacity (resistive load)	
Mechanical life	1x10 <sup>7</sup> switching cycles
Electrical life	1x10 <sup>5</sup> switching cycles
Indicator	green LED
Insulation coil - contact set	
Nominal voltage of the power supply system	230 / 400 V AC
Overvoltage category	III   II
Degree of pollution	2   2
Rated test voltage	4 kV   2.5 kV
Type of insulation	basic insulation   reinforced insulation
Housing	
Dimensions	
Dimension (W x H x D)	11.2 mm x 87.5 mm x 60 mm
Dimension (W x H x D)	0.441 in. x 3.445 in. x 2.362 in.
Weight	43 g
Mounting style	Standard rail TH35
Mounting position	any
Apposition	without distance
Connection type	Spring clamp terminal blocks

### Technical Data

Terminal blocks	
Wire cross section solid	0.08 mm <sup>2</sup> - 2.5 mm <sup>2</sup> / AWG 28-14
Wire cross section multi	0.08 mm <sup>2</sup> - 1.5 mm <sup>2</sup> / AWG 28-16
Wire cross section with wire ferrule	0.08 mm <sup>2</sup> - 2.5 mm <sup>2</sup> / AWG 28-14
Stripping length (min.)	10 mm
Material	
Material - Housing	Polyamid 6.6 V0
Color	gray
Material - Terminal block	Polyamid 6.6 V0
Protection category according to IEC 60529	
Protection category - housing (acc. to IEC 60529)	IP40
Climatic Data	
Operating	
Temperature - Operating °C	-20 °C - 55 °C
Temperature - Operating °F	-4 °F - 131 °F
Relative humidity	max. 85 % non-condensing
Storage	
Temperature - Storage °C	-25 °C - 70 °C
Temperature - Storage °F	-13 °F - 158 °F
Power loss	
Power loss (typical)	0.5 W
Classifications	
ETIM 7.0	EC001437
ETIM 8.0	EC001437
ETIM 9.0	EC001437

### Application note

This product is a standard product of METZ CONNECT. METZ CONNECT is not aware of the specific intended use of the goods by the Customer or any customers of the Customer. The Customer guarantees that it has fully and sufficiently tested the use of the goods and any product modifications, product changes or product enhancements with regard to the specific intended use in accordance with the state of the art or in any other way. At METZ CONNECT's request, the Customer shall submit and make available meaningful evidence (e.g. test and laboratory protocols, certifications, etc.).

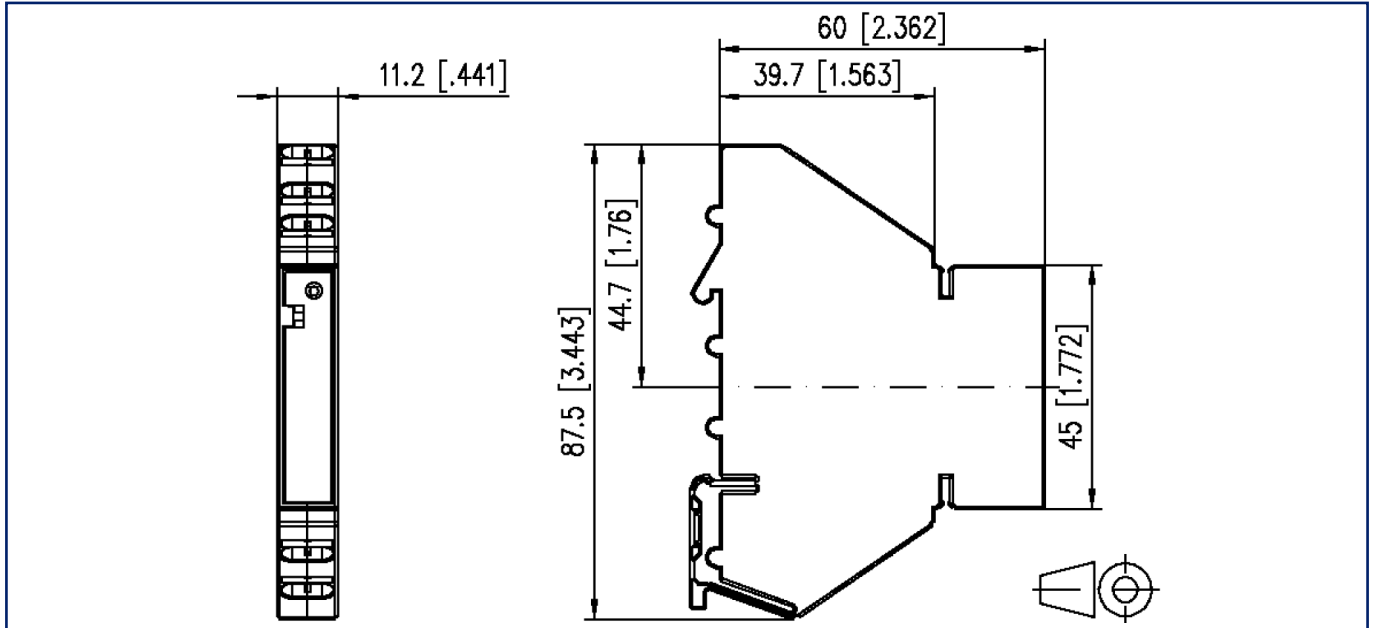
### Accessories

P/N	Designation
110728	Connecting bridge, 10 pole
110729	Labeling plate

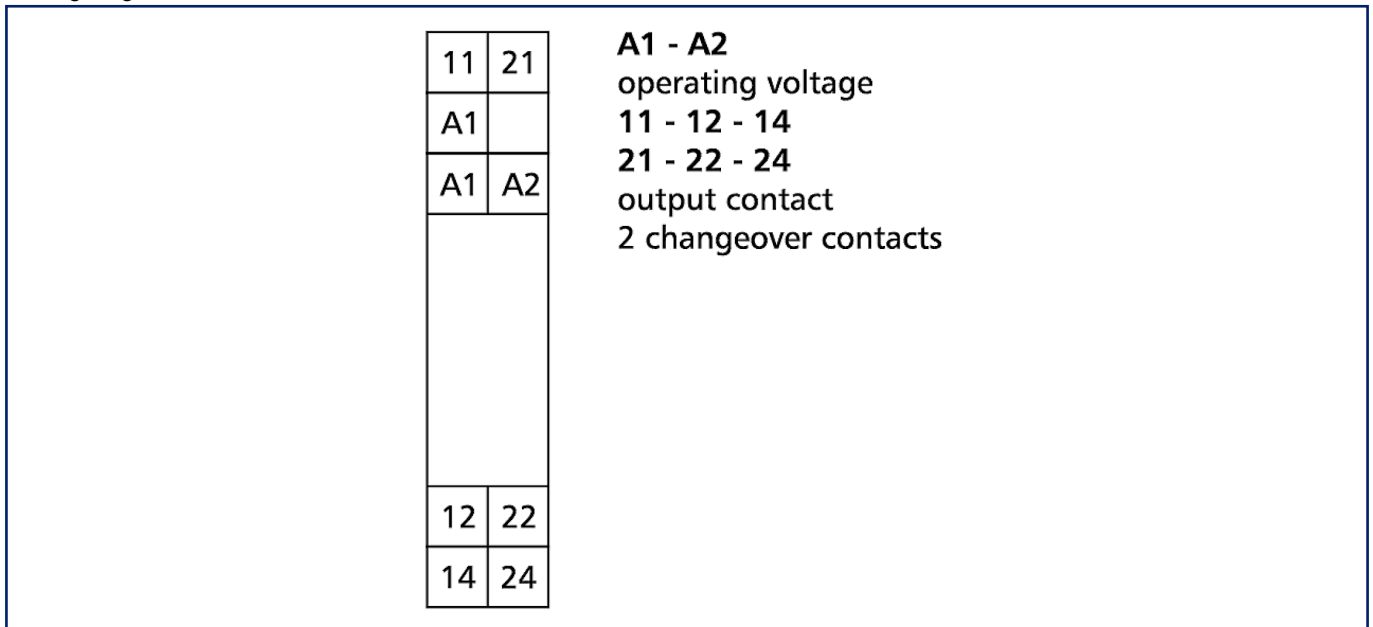


### Illustrations

Dimensional drawing

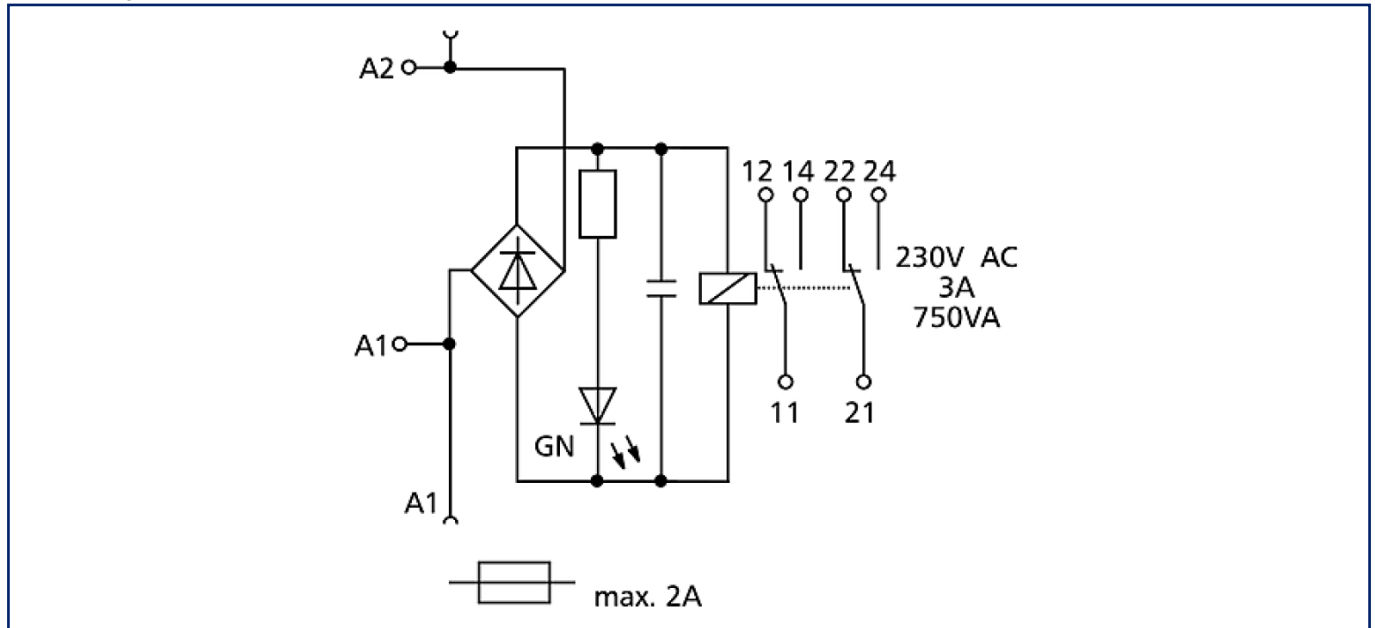


Wiring diagram



**Illustrations**

Circuit diagram



© 2024 METZ CONNECT - Technische Änderungen vorbehalten! Subject to modifications! Sous réserve de modifications techniques!