

Data sheet

UAE 8/8(8) AP miniature terminal block pearl white

Page 1/4

P/N

130001001-I

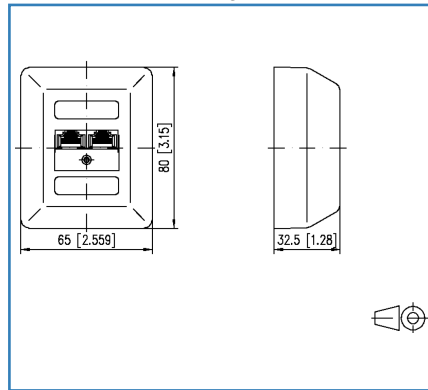
EAN 4250184100218

2016-21-01

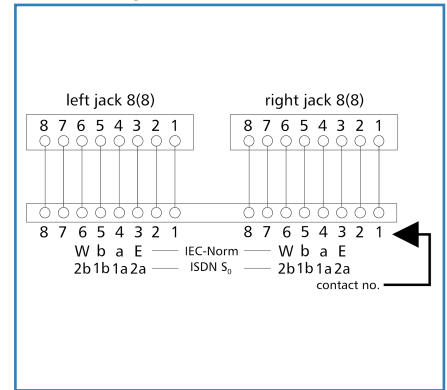
Illustrations



Dimensional drawing



Circuit diagram



See enlarged drawings at the end of document

Product specification

- surface-mounted termination unit Cat.3 class C with RJ45 jack
- due to the 45° plug direction, the connection line of the terminal falls downwards without overlap
- screw type terminals allow connecting up to three wires with a diameter from 0.4 mm to 0.8 mm on each clamping point
- jack (8) is equipped with 8 contacts
- pure white (RAL 9010) or pearl white (RAL 1013) covers
- variants: 8(8), 2x8(8), 8/8(8)
- color variants: pure white, pearl white



UAE 8/8(8) AP miniature terminal block pearl white

P/N

130001001-I

EAN 4250184100218

2016-21-01

Technical Data

General Data

Fields of application	Office
Design	Wall outlet
Mounting style	surface mount
Shielding	unshielded
Transmission technology	Copper
Color	pearl white
Dimensions	
Dimension (L x W x H)	32.50 x 65.00 x 80.00 mm
Dimension (L x W x H)	1.28 x 2.56 x 3.15 in.
Labeling option	firmly printed label areas

Transmission characteristics

Category (ISO)	3
Class (ISO/IEC)	C
Category (TIA)	3

Connections/interfaces

Connector technology interface 1	screw type terminal block
Connector technology interface 2	RJ45-jack
Number of ports interface 2	2
Number of ports interface 2 equipped	2
Number of positions/contacts interface 1	2 x 8P/8C
Number of positions/contacts interface 2	2 x 8P/8C
Core diameter (min. - max.)	
Core diameter (conductor with insulation)	0.40 - 0.80 mm
Core diameter (conductor with insulation)	0.016 - 0.03 in.
Module plug-in direction	45° downwards

Materials and material properties

Material - Housing	PBT (polybutylene terephthalate)
Material - Terminal block housing	Frianyl
Material - Cover part(s)	ABS
Material - Lower housing	ABS
Material - Contact carriers	PBT, glass fiber reinforced



UAE 8/8(8) AP miniature terminal block pearl white

P/N

130001001-I

EAN 4250184100218

2016-21-01

Technical Data

Environmental conditions

Temperature (min. - max.)

Temperature - Storage °C	-40 - 70 °C
Temperature - Storage °F	-40 - 158 °F
Temperature - Operating °C	-40 - 70 °C
Temperature - Operating °F	-40 - 158 °F

Electromagnetic measurement E₁

Certifications

CE	compliant
RoHS	compliant

Classifications

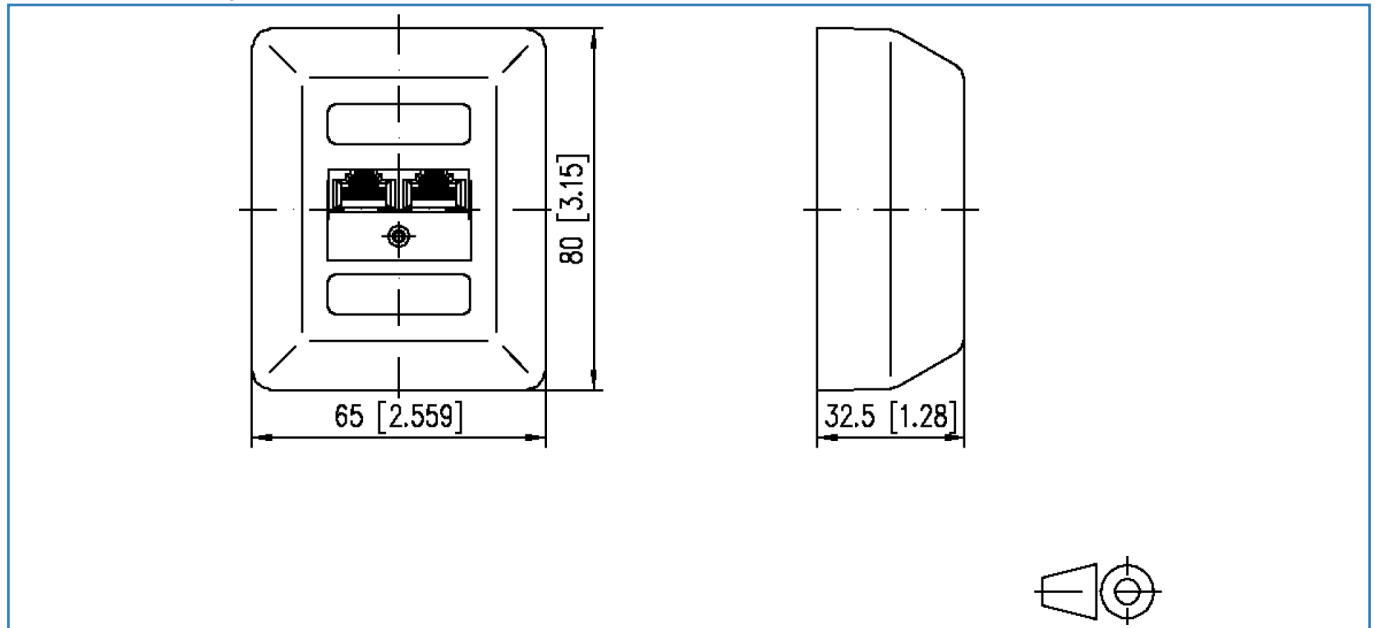
ETIM 5.0 EC001264

Packing details

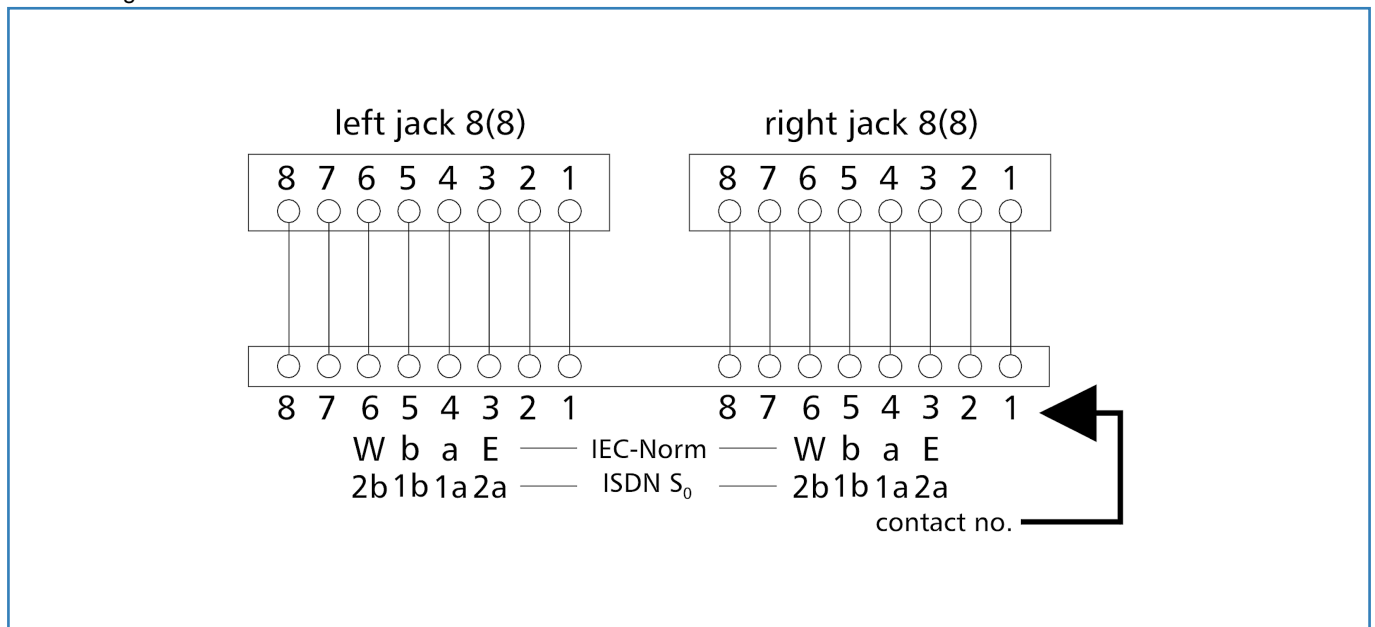
Type of packaging	10 pc(s) / box
Packaging unit - Weight (gram)	631.00 g
Packaging unit - Weight (pound)	1.39 lb
Packaging dimension (W x H x D)	195.00 x 170.00 x 68.00 mm
Packaging dimension (W x H x D)	7.68 x 6.69 x 2.68 in.

Illustrations

Dimensional drawing



Circuit diagram



© 2016 METZ CONNECT - Technische Änderungen vorbehalten! Subject to modifications! Sous réserve de modifications techniques!