





# PFXSP5B41

Standard product information	Electrical specifications
Environmental specifications	Memory
Interface specifications	Structural specifications
Dimensions	

Standard product information	
Family	HMI
Series	SP5000 Series
Size	Box (Open)
Model	PFXSP5B41
Global Code	PFXSP5B41
Product Features	Box Module Windows applications (Open Box, WES 7)

Electrical specifications	
Rated input voltage	12 Vdc (Supply from Display Module or DC Power Supply Adapter for Box Module "PFXZCDAEXP1")
Power consumption	Max. 25 W When power is not supplied to external devices: 15 W or less <sup>*1</sup>
Noise immunity	Noise Voltage : 1,000 Vp-p Pulse Duration : 1 μs Rise Time : 1 ns (via noise simulator)



Environmental specifications

<p>International safety standards</p>	    <p>ANSI/CSA (UL61010+1604) Listed</p>       
<p>Surrounding air temperature</p>	<p>0 to 60 °C [32 to 140 °F]</p>
<p>Storage temperature</p>	<p>-20 to +60 °C [-4 to 140 °F]</p>
<p>Ambient humidity</p>	<p>10 to 90 % RH (Wet bulb temperature: 39 °C [102.2 °F] max. - no condensation)</p>
<p>Storage humidity</p>	<p>10 to 90 % RH (Wet bulb temperature: 39 °C [102.2 °F] max. - no condensation)</p>
<p>Dust</p>	<p>0.1 mg/m<sup>3</sup> (10<sup>-7</sup> oz/ft<sup>3</sup>) or less (non-conductive levels)</p>
<p>Pollution degree</p>	<p>For use in Pollution Degree 2 environment</p>
<p>Corrosive gases</p>	<p>Free of corrosive gases</p>
<p>Air pressure (altitude range)</p>	<p>800 to 1,114 hPa (2,000 m [6,561 ft.] above sea level or less)</p>
<p>Vibration resistance</p>	<p>IEC/EN 61131-2 compliant                      5 to 9 Hz single amplitude 3.5 mm [0.14 in.]                      9 to 150 Hz fixed acceleration: 9.8 m/s<sup>2</sup>                      X, Y, Z directions for 10 cycles (approx. 100 min.)</p>
<p>Concussion resistance</p>	<p>IEC/EN 61131-2 compliant 147 m/s<sup>2</sup>, X, Y, Z directions for 3 times</p>
<p>Electrostatic discharge immunity</p>	<p>Contact Discharge Method: 6 kV                      Air Discharge Method: 8 kV                      (IEC/EN61000-4-2 Level 3)</p>

Memory



by **Schneider** Electric

	<ul style="list-style-type: none"> <li>- User Font Area: No Upper Limit</li> <li>- Logic Program Area: None</li> <li>- Free Space: Approx. 17GB</li> </ul> <p><b>Removable System:</b> Yes</p>
Backup memory	<p><b>When using GP-Pro EX:</b></p> <ul style="list-style-type: none"> <li>- Screen Area: NVRAM 320KB or CFast/SD Card (storage) 5MB</li> <li>- Variable Area: NVRAM 64KB</li> </ul> <p><b>Battery:</b> None <sup>*1</sup></p>

\*1 SP5000 Series can retain NVRAM (backup memory) and RTC (clock data) without any batteries. But, when no power is supplied for 100 days or more, it's necessary to additionally mount this option item to retain RTC (clock data).

Interface specifications	
Serial (COM1)	Asynchronous Transmission: RS-232C / 422 / 485, Data Length: 7 or 8 bits, Stop Bit: 1 or 2 bits, Parity: None, Even or Odd, Data Transmission Speed: 2,400 (1,200) to 115,200 bps, Connector: D-Sub 9 pin (plug)
Serial (COM2)	Asynchronous Transmission: RS-232C / 422 / 485, Data Length: 7 or 8 bits, Stop Bit: 1 or 2 bits, Parity: None, Even or Odd, Data Transmission Speed: 2,400 (1,200) to 115,200 bps, Connector: D-Sub 9 pin (plug)
USB (Type A)	Conforms to USB 2.0 (Type A) x 3 Power supply voltage: 5 Vdc ±5 % Output Current: 500 mA/port 1 A total for 3 ports Communication distance: 5 m [16.4 ft.] <sup>*1</sup>
USB (mini-B)	Conforms to USB 2.0 (mini-B) x 1, Communication Distance: 5 m [16.4 ft] or less
Ethernet	IEEE802.3i / IEEE802.3u / IEEE802.3ab, 10BASE-T / 100BASE-TX / 1000BASE-T, Connector: Modular jack (RJ-45) x 2
SD card	SD Card Slot (Storage) x 1
CFast card	CFast Card Slot (System) x 1, CFast Card Slot (Storage) x 1
Expansion unit	Fieldbus Unit x 1
Video	DVI-D output, Connector: DVI-I 24 pin (socket) x 1, Resolution: up to 1,920 x 1,200 pixels (WUXGA, VESA compatible) <sup>*2</sup>



by **Schneider** Electric

	Switch), LINE Output: 4.0Vp-p (Rated load: 10kΩ) (Software Switch), Connector: 2-piece terminal block (AUX) x 1
AUX output	Alarm Output or Buzzer Output x 1 Rated Voltage: 24 Vdc, Rated Current: 50 mA or less Connector: 2-piece terminal block (AUX) x 1

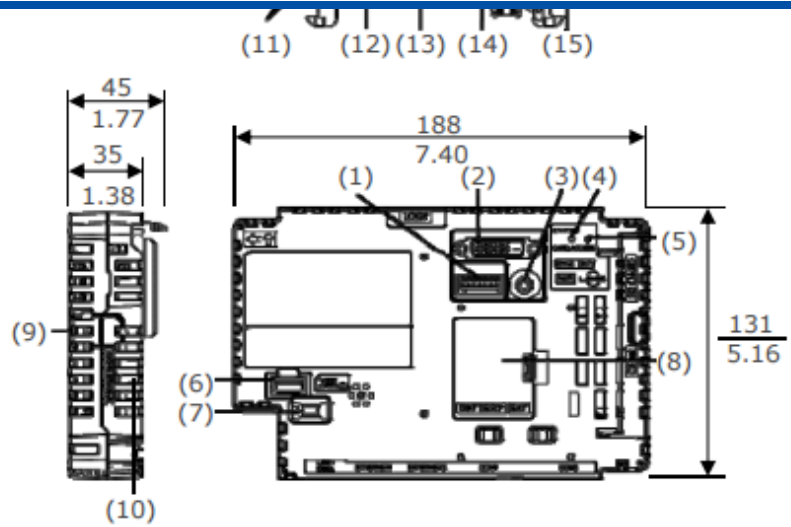
\*1 When using the Display Module with the Power Box, you can connect only one of each type of USB device, such as one USB flash drive, one transfer cable, or one barcode reader. If you connect multiple devices that are the same type, only the first device will work.

\*2 The output resolution in the clone mode (duplication) depends on the display module of SP5000 Series. Please click here about how to get a full-screen display on an external monitor.

Structural specifications	
Cooling method	Natural air circulation
External dimensions	W188 x H131 x D35 mm [W7.40 x H5.16 x D1.38 in.]
Weight	0.9 kg [1.98 lb] or less *1

\*1 Box module only.

Dimensions



- (1)Auxiliary Output/Speaker Output Interface (AUX) (2)DVI-D Output Interface
- (3)AUDIO Input Interface (LIN/MIC) (4)Status LED (5)Card Access LED (6)USB
- (Type A) Interface (7)USB (mini-B) Interface (8)Expansion Unit Interface
- Cover (EXT) (9)Storage Card Cover (10)System Card Cover (11)USB (Type A)
- Interface (12)Ethernet Interface (ETH1) (13)Ethernet Interface (ETH2)
- (14)Serial Interface (COM1) (15)Serial Interface (COM2)

[Contact Us](#)

[1-800-289-9266](#)

[Repair Center](#)

[Return for Credit](#)

[LinkedIn](#)

[Instagram](#)

[Privacy Policy](#)

[CA-125](#)

[Change your cookie settings](#)