

# Data sheet

## MYD-4M-IP65

M-Bus distributor in a surface-mount IP65 housing

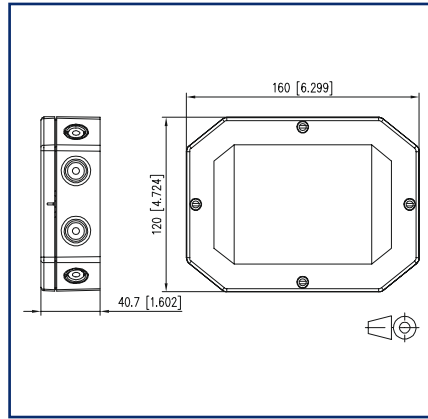
Part no.  
11056301  
EAN 4250184190363

2024-11-04  
Version C

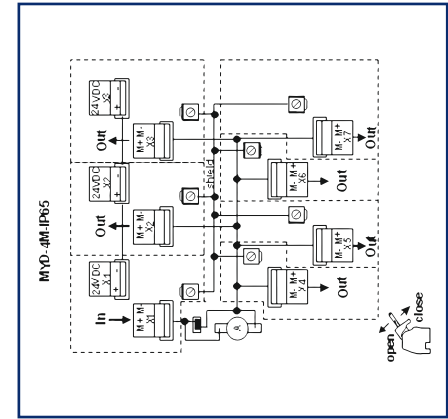
### Illustration



Dimensions



Wiring diagram



### Product specification

The M-Bus distributor in a surface-mount IP65 housing is used in structured M-Bus cabling as well as in servicing and maintaining the operation of M-Bus structures.

- Detachable spring clamp terminal blocks with printed contact designation
- Color of contact housing same as wire color of the -Bus cable J-Y(St)Y
- Uninterrupted M-Bus current measurement possible
- Sealable cover with quick release fasteners
- Not intended for marketing in North America

# Data sheet

Seite 2/4

## MYD-4M-IP65

M-Bus distributor in a surface-mount IP65 housing

Part no.  
11056301  
EAN 4250184190363

2024-11-04  
Version C

### Technical Data

#### M-Bus-Interface

Protocol	M-Bus, free topology
Bus interface	MYD (free-topology-bus)
Transmission rate	300 bis 38400 Bit/s

#### Inputs

Inputs	1 x M-Bus 1 x voltage
M-Bus voltage	36 V
M-Bus current	500 mA
Rated voltage	24 V
Rated current	10 A

#### Outputs

Outputs	6 x M-Bus 2 x voltage
---------	--------------------------

#### Housing

Dimensions (W x H x D)	160 x 40.7 x 120 mm
Weight	330 g
Material Housing Terminal blocks	ASA + Polycarbonat Polyamid 6.6 V0
Ingress protection (IEC 60529) for housing / terminal block	IP65/IP20

# Data sheet

## MYD-4M-IP65

M-Bus distributor in a surface-mount IP65 housing

**Part no.**  
11056301  
**EAN 4250184190363**

2024-11-04  
Version C

### Technical Data

Terminal blocks	
Voltage and M-Bus	
Terminal block	7 x 2-pole M-Bus / 3 x voltage 2-pole
solid wire	max. 1.5 mm <sup>2</sup>
super-fine wire	max. 1.0 mm <sup>2</sup>
conductor bore	0.3 mm to max. 1.4 mm
Shield connection	
solid wire	max. 1.5 mm <sup>2</sup>
super-fine wire	max. 1.0 mm <sup>2</sup>
conductor bore	0.25 mm to max. 1.3 mm

Temperatur range	
Operation	-5° to 55° C
Storage	-20° to 70° C

### Application note

This product is a standard product of METZ CONNECT. METZ CONNECT is not aware of the specific intended use of the goods by the Customer or any customers of the Customer. The Customer guarantees that it has fully and sufficiently tested the use of the goods and any product modifications, product changes or product enhancements with regard to the specific intended use in accordance with the state of the art or in any other way. At METZ CONNECT's request, the Customer shall submit and make available meaningful evidence (e.g. test and laboratory protocols, certifications, etc.).

# Data sheet

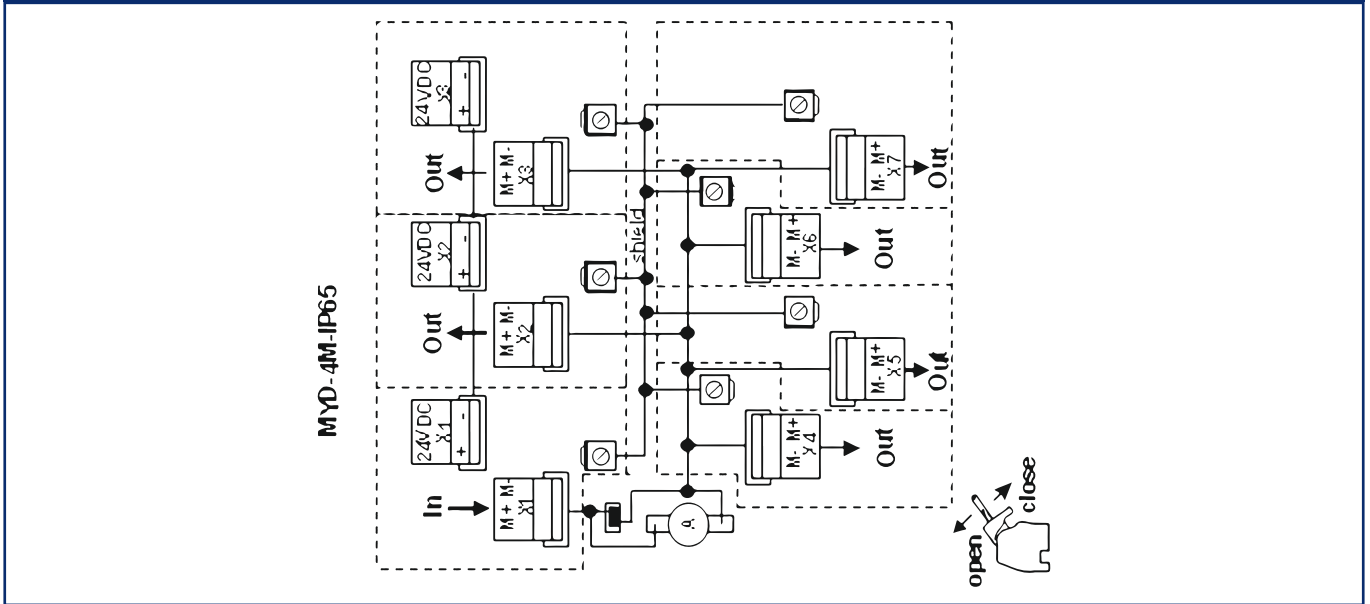
## MYD-4M-IP65

M-Bus distributor in a surface-mount IP65 housing

Part no.  
11056301  
EAN 4250184190363

2024-11-04  
Version C

### Wiring diagram



### Dimensions

