



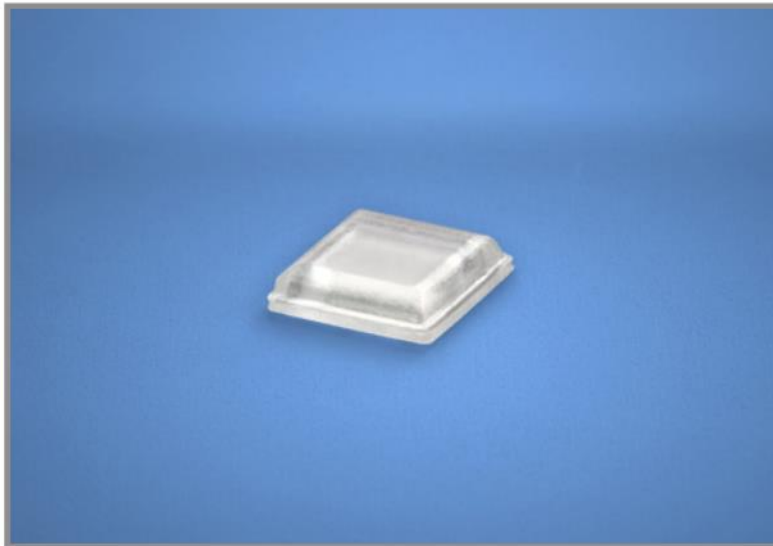
x

Category: Square Options

Self-Stick Square Rubber Bumper Pads - BS20

Part Number: BS-20

SKU: SS20CL-55



[Privacy](#) - [Terms](#)

Dimensions

Width = .400" (10.2mm)

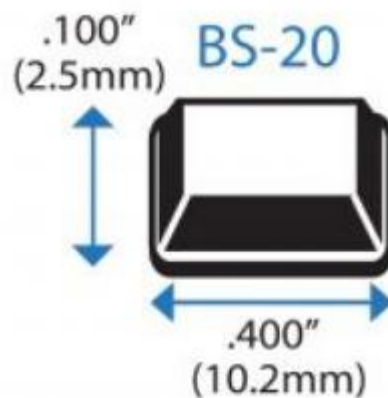
Height = .100" (2.5mm)

[Technical Drawing PDF](#)

Packaging

Bumpers Per Sheet = 242

Bumpers Per Box = 5,082



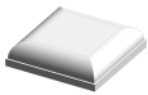
Description

Square rubber bumper feet are commonly used on the bottom of larger appliances, picture frame corners, and on electronics as spacers. Square feet provide the largest surface area of any bumper profile, which helps for heavier load bearing applications. These feet are utilized on electronics and **fit perfectly into molded cavities** on the bottom of devices. Placing a square bumper **protector on the corner of a picture frame** will prevent scuffing the wall and will prevent movement of the frame. Simply peel and stick the bumper feet to your required location. These bumpers can be used everywhere and the application possibilities are endless.

- Manufactured in the USA
- Bumper Specialties BS-20 is equivalent to 3M Bumpon™ SJ5007, SJ5307
- 100% Molded Polyurethane
- Easy "Peel-Off" Application, Non-Staining, Non-Skidding, and Non-Marring
- Superior Abrasion Resistance, Vibration and Shock Dampening
- Superb Coefficient of Friction and Resistance to Skidding, Crack-Resistant and Resilient
- UL Recognized Components, RoHS and WEEE Compliant
- **Width** .400 inches (10.2mm) x **Height** .100 inches (2.5mm)
- **Standard Box**
SKU's: BS20CL11X22RP, BS20BL11X22RP, BS20WH11X22RP, BS20BR11X22RP, BS20GR11X22RP

Bumpon™ is a trademark of the 3M Company and is not affiliated with Bumper Specialties, Inc.

Specifications

<p>CAD Drawings</p>	<div style="display: flex; align-items: center; justify-content: center;">  <div> <p>Click CAD Drawing Option Below to Download:</p> <p>2D Line Drawing (PDF) 3D Model Download (STEP) 3D Model Viewer (Link)</p> </div> </div>
<p>Physical Attributes</p>	<p>Easy Peel and Self-Stick, Non-Skidding, and Non-Marring</p>
<p>Color Options</p>	<p>Clear, Black, White, Brown, Gray</p>

<p>Material</p>	<p>Polyurethane</p>
<p>Durometer</p>	<p>Standard Durometer Bumper</p>
<p>Shape</p>	<p>Square, Flat-Top Bumper</p>
<p>Substrate</p>	<p>Injection Molded Plastics, Finished Wood, Laminates, Ceramics, Glass, Bare Metal, Powder Coated Metals, Painted Surfaces, Paper</p>
<p>Dimensions</p>	<p>Width = 13/32 inch (10.2mm) Height = 3/32 inch (2.5mm)</p>
<p>Tolerances</p>	<p>±0.02" (.5mm)</p>
<p>Applications</p>	<p>Cutting Board Feet, Cabinet Door Stops, Glass Table Top Spacers, Picture Frame Protectors, Electronics & Many More...</p>