

RoHS Compliant

REV	SIGN	DATE	DESCRIPTION	APPROVER
A0		2024.10.22	Initial Release	Shao Bo

THIS IS CAD DRAWING, DO NOT REVISE MANUALLY!!!

Material:

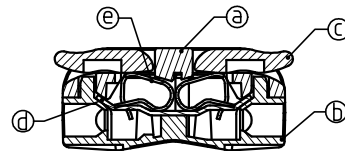
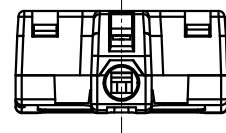
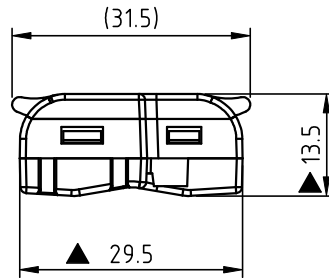
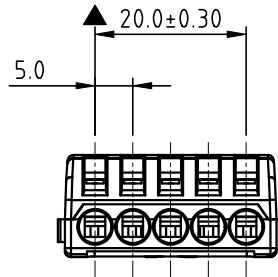
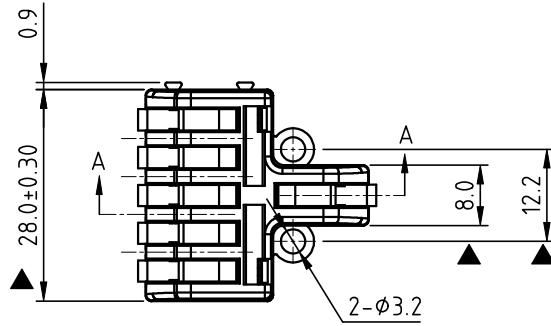
- Item ① Terminal upper body: PA66
- Item ② Terminal bottom body: PA66
- Item ③ Terminal lever: PA6
- Item ④ Terminal Contact: Copper alloy
- Item ⑤ Spring: Stainless,

Electrical:

- Voltage rating: 600 V
- Current rating: 20A
- Withstanding Voltage: 2.2KV AC
- Wire range:
 - Solid wire: 24-12AWG
 - Stranded wire: 24-12AWG
- Wire strip length: 9 mm
- Operating temperature: -20°C to +105°C
- Assembling temperature: -5°C to +105°C
- Safety Approval: ▲
- Critical dimension:

Part No. EQT 5 1 x x xxxx G

RoHS compliant (lead<4%)	RoHS compliant (lead<4%)
In copper Alloy	In copper Alloy
00x0: "@" Logo (Standard)	00x0: "@" Logo (Standard)
Body Color	Lever Color
1: Orange 橘色	1: Orange 橘色 (標準色)
2: Gray 灰色 (標準色)	2: Gray 灰色
3: Red 紅色	3: Red 紅色
4: Yellow 黃色	4: Yellow 黃色
5: Green 綠色	5: Green 綠色
6: Blue 藍色	6: Blue 藍色
7: Brown 棕色	7: Brown 棕色
8: Black 黑色	8: Black 黑色
9: White 白色	9: White 白色
P: Pink 粉紅色	P: Pink 粉紅色
V: Violet 紫色	V: Violet 紫色
	M: Multiple Color



Section A-A

Amphenol
ANYTEK

CUSTOMER COPY

ALL RIGHTS RESERVED. REPRODUCTION OR ISSUE TO THIRD PARTIES IN ANY FORM WHATSOEVER IS NOT PERMITTED WITHOUT WRITTEN AUTHORITY FROM THE PROPRIETOR. PROPERTY OF ANYTEK TECHNOLOGY CO., LTD

TITLE		EQT 5P series terminal block				
PART NO.	EQT51xxxxxG			DWG NO.	8EQT0005	
APPROVED	CHECKED	DESIGNED	DRAWN	CUST NO.	Tolerance	
		Shao Bo 2024.10.22	Shao Bo 2024.10.22		UNIT: mm	X. ±0.50
					SCALE: 1:1	X.X ±0.30
					REV: A0	X.XX ±0.10
				SHEET: 01/01	X° ±1°	