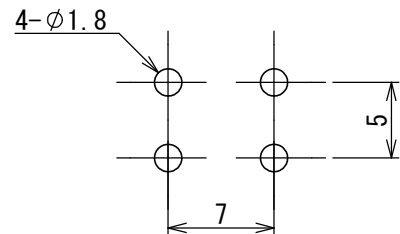
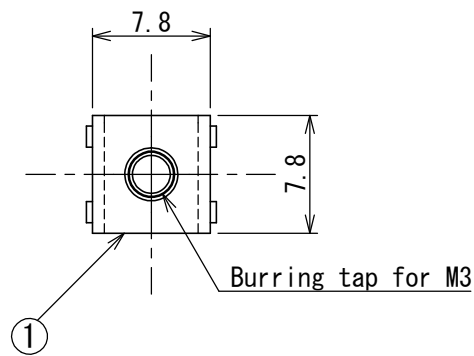
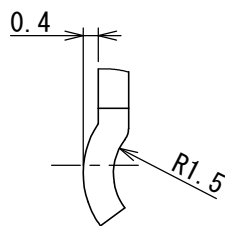
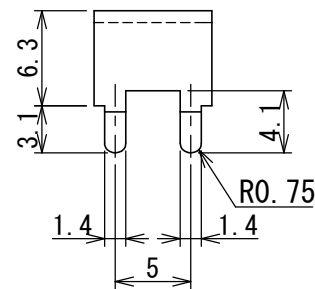
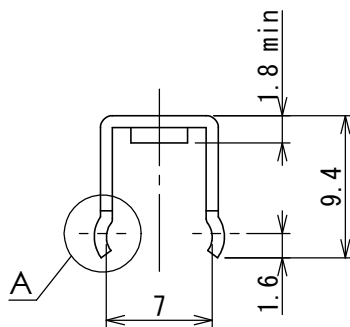


No.	PARTS NAME	MATERIAL	SIZE	TREATMENT	REMARKS	AMOUNT
1	Printed board terminal	Brass	t=0.8	Tin-Plated		1
2						
3						
4						
5						

Processing the printed board




Printed board:t1.4~2.0



Detail view A
(S=5/1)

Ordering Form: **F4053A (Type No.)**

※ Display it on the name-of-article label of a packing box as a 「RoHS2 Compliance」

REVISION				TOLERANCE UNLESS OTHERWISE SPECIFIED	RATED AC V 15 A	DWG No.	101811-8			DESIGN.	T-		
				±0.5	INSULATION RESISTANCE DC V MΩ	TYPE.	F4053A			DWG.	S. Ikeda	2004. 10. 7	
					DIELECTRIC STRENGTH AC V 1minute and over	3RD ANGLE PROJECTION	UNIT	mm	SCALE	1/1	CHK.	A. Kudamatsu	2004. 10. 7
SIGN	DATE	CONTENT									APPRD.	A. Kudamatsu	2005. 3. 10
							 FUJICON CO., LTD						