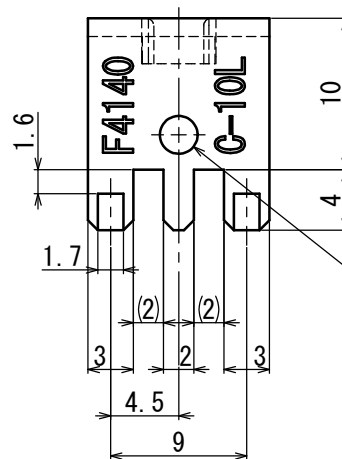
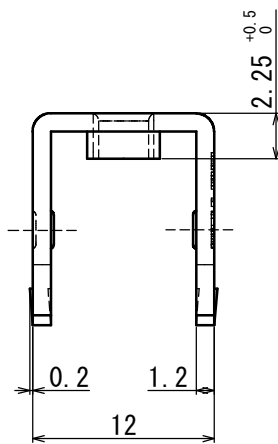
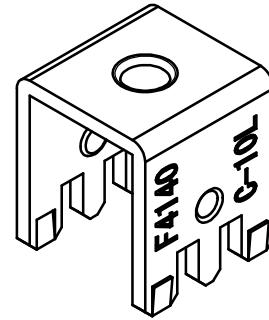
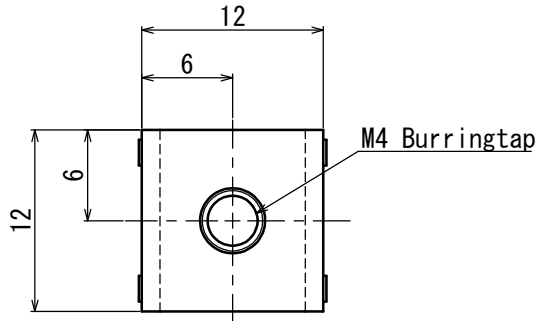
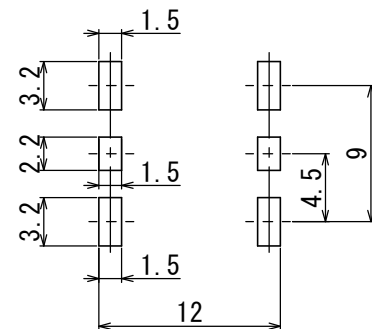


No.	PARTS NAME	MATERIAL	SIZE	TREATMENT	REMARKS	AMOUNT
1	Printed board terminal	Brass	t=1.2	Tin-plated		1



( $\phi 2.5$ ) For preventing plating entanglement

Example of Substrate Processing  
t=1.6



Ordering form : Type No.  
 ※Display it on the name of article label of a packing box as a 「RoHS2 Compliance」

DEVISION			TOLERANCE UNLESS OTHERWISE SPECIFIED	RATING AC V 60 A INSULATION RESISTANCE DC V MΩ WITHSTANDS VOLTAGE AC V 1min and over	DWG No.	110775			DSIGN.	Y. WATANABE 22. 3. 15							
SIGN	DATE	CONTENT				±0.5	TYPE.	F4140C-10L			DWG.	Y. WATANABE 22. 3. 15					
								3RD ANGLE PROJECTION		UNIT		mm	SCALE	2/1	CHK.	NITTA 22. 3. 28	
																APPRD	DAN 22. 3. 28



FUJICON CO., LTD