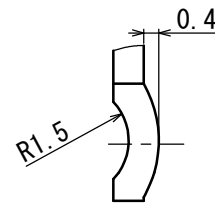
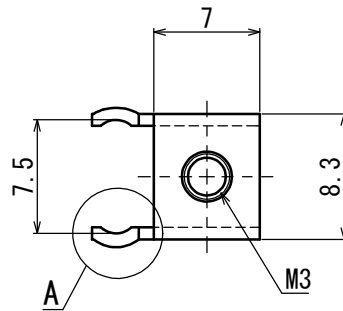
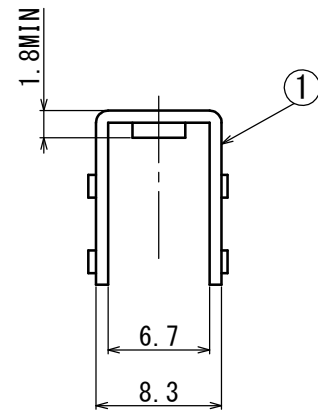
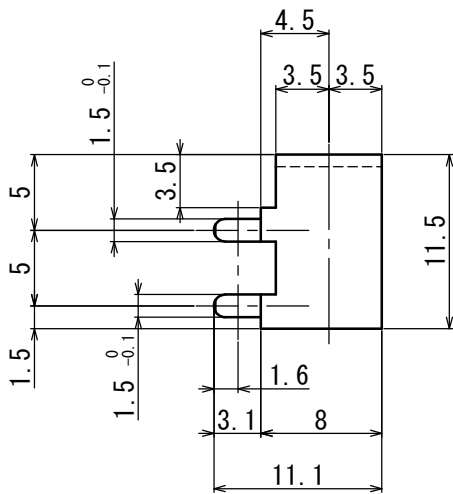


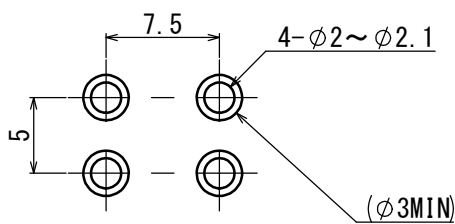
No.	PARTS NAME	MATERIAL	SIZE	TREATMENT	REMARKS	AMOUNT
1	Printed board terminal	Brass	t=0.8	Tin-plated		



Drawing of view (S=5/1)



PCB Specifications



PCB t=1.4~2.0

Ordering form: F4052A (Type No.)

※Display it on the name of article label of a packing box as a 「RoHS2 Compliance」

REVISION				TOLERANCE UNLESS OTHERWISE SPECIFIED	RATING AC 20 A V 15 A	DWG No.	107747-5			DESIGN.	T-		
	SIGN	DATE	CONTENT				TYPE.	F4052A	DWG.		S. Ikeda	' 04. 2. 13	
				±0.5	INSULATION RESISTANCE DC V MΩ	3RD ANGLE PROJECTION	UNIT	mm	SCALE	2/1	CHK.	A. Kudamatsu	' 04. 2. 19
							WITHSTANDS VOLTAGE AC V 1min and OVER	APPRD	A. Kudamatsu	' 05. 3. 25	FJIC FUJICON CO., LTD		