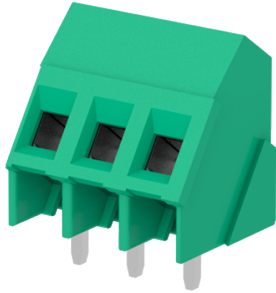


# MSM03045 - Terminal block

<https://www.sauro.net/product/MSM03045>



Number of poles: 3, Clamp tightening, 24A, 2.5mm<sup>2</sup>, 12AWG, 300V, Pitch 5,08 mm, Modular, Connection Angle 35°, Number of levels: 1, Green (RAL 6032), Soldering technology Wave, UL, VDE, IMQ, CSA

## General data

Number of poles	3
Number of levels	1
Sides configuration	Modular
Pitch	5,08 mm
Voltage	300 V
Current	24 A
Housing composition	Monolithic
Wire section	2.5 mm <sup>2</sup>
Wire section	30 AWG ÷ 12 AWG
Connection Angle	35°
Available approvals	UL, VDE, IMQ, CSA

## Features

Screw dimension	M3
Recommended tightening torque	0.5 Nm
Stripping length	6.5 mm
Operating temperature range	-40°C ÷ 105°C
Climatic category	-40/105/21 according to EN60068-1
Contact resistance	<15 mOhm
Insulation resistance	>1 GOhm

## Certifications

<https://www.sauro.net/product/MSM03045>

# MSM03045 - Terminal block



<https://www.sauro.net/product/MSM03045>

## UL (n.E167473)

Usage Group	B	C	D*
Rated voltage	300 V		300 V
Nominal current		17.5 A	
Wire section		12 AWG	
Tightening torque		7 lbf x in	

\* These limited ratings are applicable to a terminal block for use in or with industrial control equipment whereby the load on any single circuit of the terminal block does not exceed 15A at 51-150V, 10A at 151-300V, or 5A at 301-600V, or the maximum ampere rating, whichever is less.

## IMQ (n.EA022)

Rated voltage		250 V	
Nominal current		24 A	
Wire section		2.5 mm <sup>2</sup>	
Tightening torque		0.5 Nm	
Insulating category		I	
Overtoltage category/Pollution degree	III/3	III/2	II/2
Impulse voltage	4kV	4kV	4kV
Rated voltage	220V	300V	600V
Insulation voltage	250V	320V	630V
Maximum temp usage		110	

## VDE (n.40022741 Reg.-Nr. C517)

Rated voltage		250 V	
Nominal current		24 A	
Wire section		2.5 mm <sup>2</sup>	
Maximum temp usage		110	

## CSA (n.LR 102896)

Rated voltage		300 V	
Nominal current		20 A	
Wire section		12 AWG	
Tightening torque		7 lbf x in	

## Materials

Screw material	Nickel-plated copper alloy
Terminal contact	Nickel and tin on copper alloy
Clamp tightening	Nickel-plated copper alloy
Insulating housing material	PA Polyamide

<https://www.sauro.net/product/MSM03045>

# MSM03045 - Terminal block



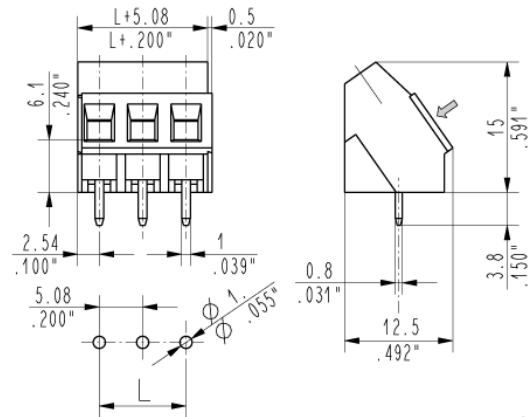
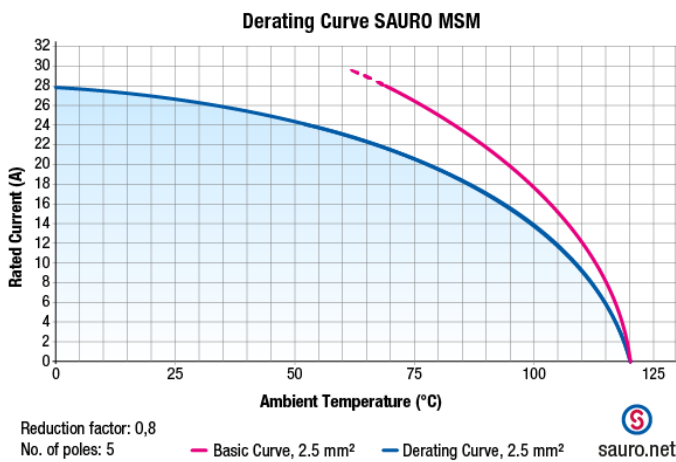
<https://www.sauro.net/product/MSM03045>

Insulating material group

I (CTI  $\geq$  600V)

## Available colors

Green	similar to RAL 6032
Dark green	similar to RAL 6017
Black	similar to RAL 9005
Light gray	similar to RAL 7035
Dark gray	similar to RAL 7040
Orange	similar to RAL 2003
Blue	similar to RAL 5012
Brown	similar to RAL 8028
Yellow	similar to RAL 1018
White	similar to RAL 9001
Red	similar to RAL 3017
Another color	on demand



<https://www.sauro.net/product/MSM03045>