

## Cat6 Shielded Industrial Panel Mount RJ45 Female/Female Bulkhead Coupler with Water/Dust Cap

**RoHS  
Compliant**

Stock No.: 9133043J0057

### FEATURES

- RJ45 F/F Coupler
- Panel Mount
- Shielded
- Gold-plated



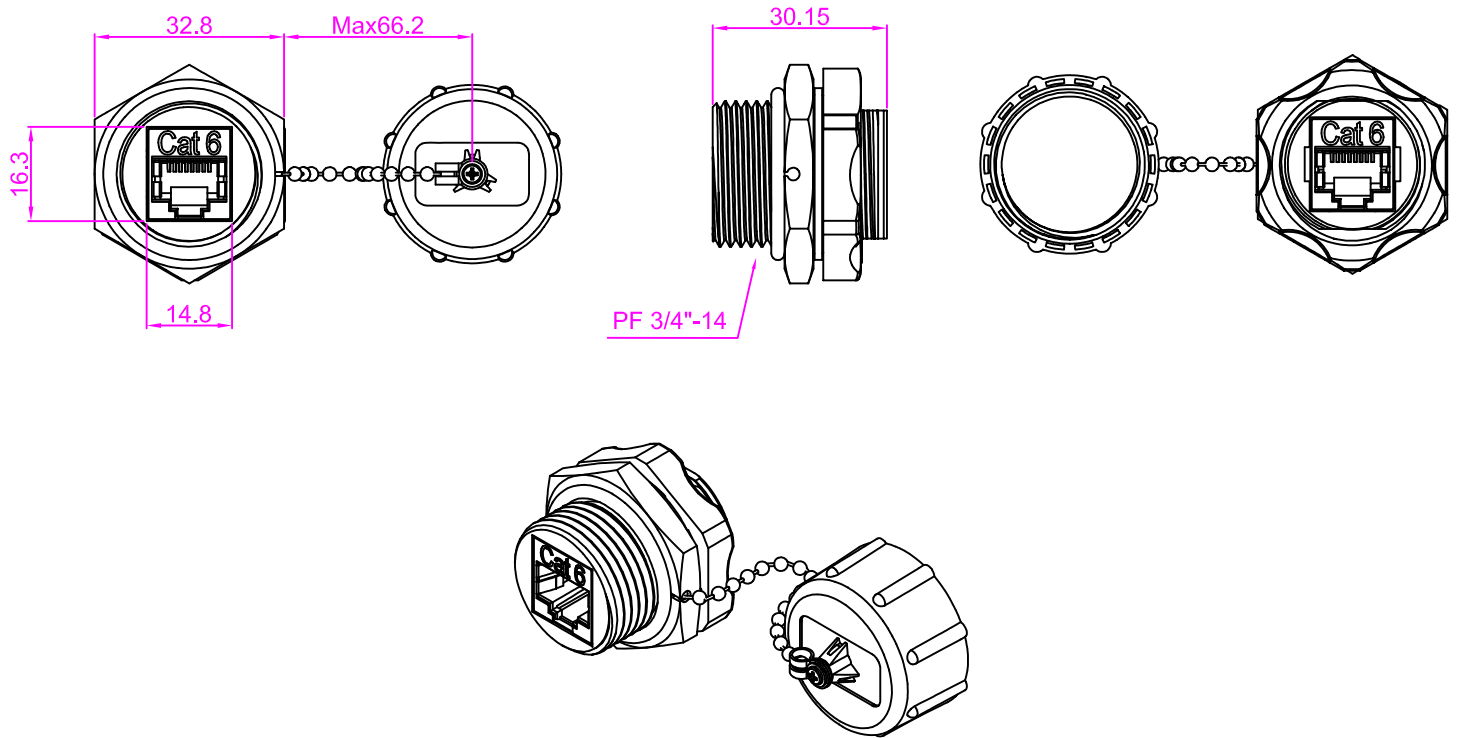
### Product Description

*Designed for durability and performance, this industrial panel mount jack features a shielded connection with gold-plated contact pins for superior signal integrity and corrosion resistance. The IP67/IP68-rated housing offers robust protection against dust, water, and harsh elements, making it ideal for industrial, outdoor, or rugged networking applications.*

### General Specifications

Attribute	Value
Category	6
Mounting Type	Panel Mount, Through Hole
Configuration	8 Position, 8 Wire, RJ45
Wiring Code	N/A
Adapter End	RJ45 Female
Adapter End	RJ45 Female
Contact Material	Gold Plated Phosphor Bronze
Ingress Protection	IP67
Shielding	Shielded
Color	Black
Operation Temperature	-10°C TO 60°C

## Product Drawing



Dimensions: Millimeters (Inches)

### Part Number Table

Part Number	Description
9133043J0057	Cat6 Shielded Industrial Panel Mount RJ45 Female/Female Bulkhead Coupler with Water/Dust Cap

Important Notice: This data sheet and its contents (the "Information") belong to the members of the EASE group of companies (the "Group") or are licensed to it. No license is granted for the use of it other than for information purposes in connection with the products to which it relates. No license of any intellectual property rights is granted. The Information is subject to change without notice and replaces all data sheets previously supplied. The Information supplied is believed to be accurate, but the Group assumes no responsibility for its accuracy or completeness, any error in or omission from it or for any use made of it. Users of this data sheet should check for themselves the Information and the suitability of the products for their purpose and not make any assumptions based on information included or omitted. Liability for loss or damage resulting from any reliance on the Information or use of it (including liability resulting from negligence or where the Group was aware of the possibility of such loss or damage arising) is excluded. This will not operate to limit or restrict the Group's liability for death or personal injury resulting from its negligence. EASE is the registered trademark of Ease Electronics Co., Limited 2019.