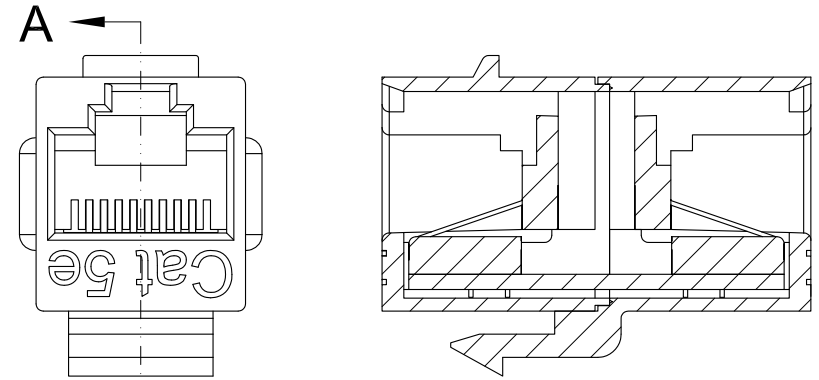
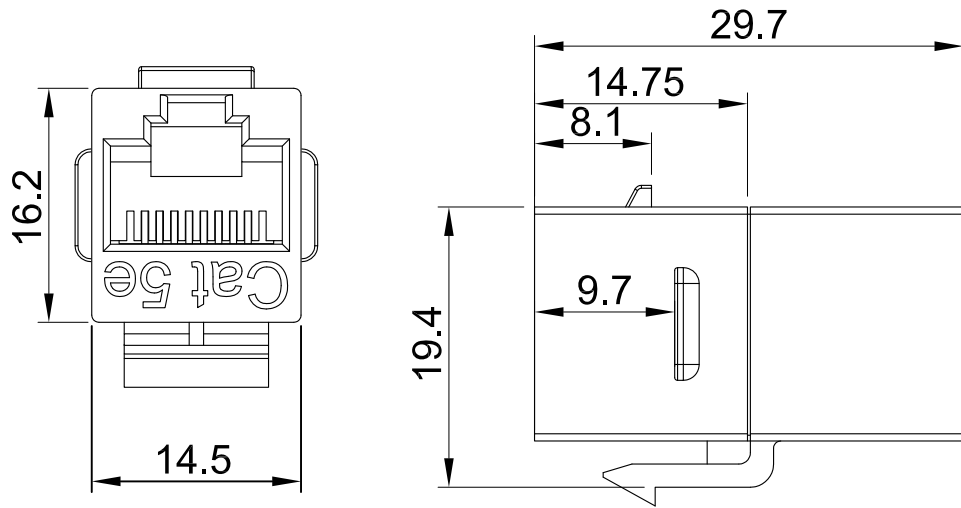
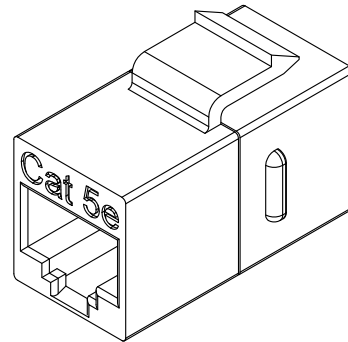


THE INFORMATION CONTAINED IN THIS DRAWING IS THE SOLE PROPERTY OF EASE ELECTRONICS. ANY REPRODUCTION IN PART OR WHOLE WITHOUT THE WRITTEN PERMISSION OF EASE ELECTRONICS IS PROHIBITED.

REV	DESCRIPTION	DATE	APPROVED
A	INITIAL RELEASE	29/5/25	CHILLY. L



SECTION A-A



Part Number Table

PART NUMBER	DESCRIPTION	DWG. NO.
RJ45-5EC-BK	Cat.5e RJ45 Inline Coupler unshielded, Black	J0092
RJ45-5EC-BL	Cat.5e RJ45 Inline Coupler unshielded, Blue	J0093
RJ45-5EC-GN	Cat.5e RJ45 Inline Coupler unshielded, Green	J0094
RJ45-5EC-GY	Cat.5e RJ45 Inline Coupler unshielded, Gray	J0095
RJ45-5EC-OR	Cat.5e RJ45 Inline Coupler unshielded, Orange	J0096
RJ45-5EC-PU	Cat.5e RJ45 Inline Coupler unshielded, Purple	J0097
RJ45-5EC-RD	Cat.5e RJ45 Inline Coupler unshielded, Red	J0098
RJ45-5EC-WT	Cat.5e RJ45 Inline Coupler unshielded, White	J0099
RJ45-5EC-YW	Cat.5e RJ45 Inline Coupler unshielded, Yellow	J0100

UNIT: mm

MATERIAL

COUPLER HOUSING : ABS high-impact thermoplastic
 SPRING WIRE : Phosphor Bronze, T=0.3mm, 50u" Gold over 100u" Nickel undercoat
 CONTACT HOLDER : PBT high-impact thermoplastic


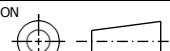
PHYSICAL CHARACTERISTICS

INSERTION LIFE : 750 MATING CYCLES
 CONTACT FORCE : 100 GRAMS
 PLUG RETENTION FORCE : 11 LBF MIN.
 OPERATING TEMPERATURE RANGE : -10 C TO 60 C
 STORAGE TEMPERATURE RANGE : -40 C TO 68 C
 HUMIDITY : 10%~90%RH

ELECTRICAL

INSULATION RESISTANCE : 500 MΩ
 DIELECTRIC WITHSTANDING VOLTAGE : 1000 V
 DC CURRENT RATING : 1.5 Amps
 DC RESISTANCE : 0.1Ω
 CONTACT RESISTANCE : 20mΩ

Mounting Type: Cable Mount, Wall Plate, Patch Panel

UNLESS OTHERWISE SPECIFIED, DIMENSIONS ARE IN INCHES [mm] OVERALL CABLE LENGTH TOLERANCE: ≤12 [305] = +1 [25] / -0 >12 [305] ≤60 [1524] = +2 [51] / -0 >60 [1524] ≤120 [3048] = +4 [102] / -0 >120 [3048] ≤300 [7620] = +6 [152] / -0 >300 [7620] = +5% / -0% ALL OTHER DIMENSIONAL TOLERANCES: .X = .3 .XX = .15	APPROVALS DRAWN BY LUKE. L	DATE 27/5/2025	 Ease Electronics Co., Limited Zone A, 2nd Floor, Bldg A, No.45, Qianjin 3rd Rd, Tanzhou, 528467 Zhongshan, Guangdong, China. +86-756-5888810		
	CHECKED BY TILY. H	DATE 27/5/2025		PART NUMBER RJ45-5EC-YW	
	APPROVED BY CHILLY. L	DATE 28/5/2025	CONFIGURATION DETAILS OF UNDIMENSIONED FEATURES MAY VARY	PRODUCT DESCRIPTION Cat.5e RJ45 Inline Coupler unshielded, Yellow	
	PROJECTION 	COLOR VARIATIONS MAY OCCUR	ID J	SERIES NO. RJ45-C	DWG. NO. J0100

SCALE: NONE CAD FILE: J0100 SHEET 1 OF 1