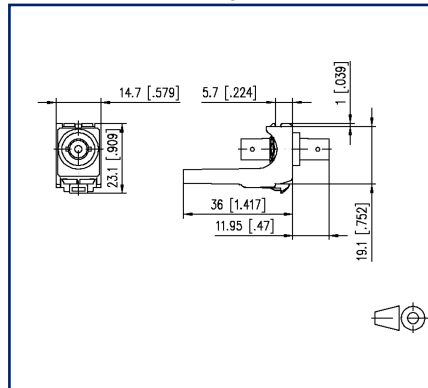


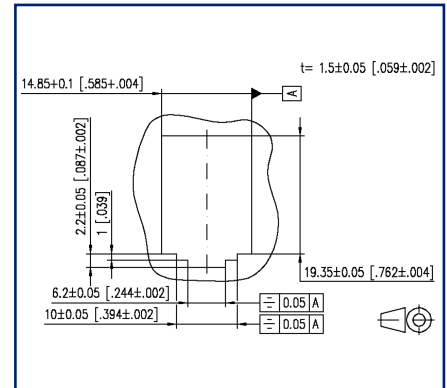
### Illustrations



Dimensional drawing



Cut-out



See enlarged drawings at the end of document

### Product specification

- ST adapter (ceramic) with adapter, fits Modul applications
- perfect for fiber-to-the-desk solutions
- OpDAT modul ST is suited for single mode (SM) and multi mode (MM)
- service life min. 1000 mating cycles

# P | Cabling

Data sheet

## OpDAT modul ST OS2

Page 2/6

P/N

15091001-I

EAN 4250184109754

2024/08/22

Version: Z

### Technical Data

#### General Data

Mechanical measurement according to MICE	M1
Ingress measurement according to MICE	I1
Climatic measurement according to MICE	C1
Electromagnetic measurement according to MICE	E3
Design	coupler / adapter (FO)
Transmission technology	Fiber optic
Color	light gray
Dimensions	
Dimension (L x W x H)	36 mm x 14.7 mm x 23.1 mm
Dimension (L x W x H)	1.417 in. x 0.579 in. x 0.909 in.
Modularity	yes
Mode type of the fiber	Singlemode + Multimode

#### Connections/interfaces

Connector interfaces	ST
----------------------	----

#### Mechanical data

Cut-out	ST
Mounting method	snap-in function
Life - Number of mating cycles	min. 1000

#### Materials and material properties

Material - Housing	Plastics
Material - Sleeve	ceramic, slotted
Halogen free	yes
RoHS	compliant

#### Classifications

ETIM 7.0	EC000752
ETIM 8.0	EC000752
ETIM 9.0	EC000752

# P | Cabling

Data sheet

Page 3/6

## OpDAT modul ST OS2

P/N

15091001-I

EAN 4250184109754

2024/08/22

Version: Z

### Technical Data

#### Packing details

Type of packaging	10 pc(s) / box
Packaging unit - Weight (gram)	200 g
Packaging unit - Weight (pound)	0.44 lb
Packaging dimension	51 mm x 258 mm x 164 mm
Packaging dimension	2.008 in. x 10.157 in. x 6.457 in.

#### Application note

This product is a standard product of METZ CONNECT. METZ CONNECT is not aware of the specific intended use of the goods by the Customer or any customers of the Customer. The Customer guarantees that it has fully and sufficiently tested the use of the goods and any product modifications, product changes or product enhancements with regard to the specific intended use in accordance with the state of the art or in any other way. At METZ CONNECT's request, the Customer shall submit and make available meaningful evidence (e.g. test and laboratory protocols, certifications, etc.).



# P | Cabling

Data sheet

## OpDAT modul ST OS2

Page 4/6

P/N  
15091001-I

EAN 4250184109754

2024/08/22

Version: Z

### Accessories from

P/N	Designation
130861-0202-E	Modul surface mount housing 2 port pure white, unequipped
130861-0302-E	Modul surface mount housing 3 port pure white, unequipped
130861-0402-E	Modul surface mount housing 4 port pure white, unequipped
130861-0602-E	Modul surface mount housing 6 port pure white, unequipped
130861-0802-E	Modul surface mount housing 8 port pure white, unequipped
130861-1202-E	Modul surface mount housing 12 port pure white, unequipped
130861-1602-E	Modul surface mount housing 16 port pure white, unequipped
130861-2402-E	Modul surface mount housing 2x12 port pure white, unequipped
1309107003-E	REGplus IP20 E-DAT modul
130920-00-E	Modul 19 inch module frame 1RU 24 Port light gray unequipped, shielded
130920-BK-E	Modul 19 inch module frame 1RU 24 port black unequipped, shielded
130920-E	E-DAT modul 24x8(8) 1RU patch panel Cat.6 <sub>A</sub> , light gray
130921-00-E	Modul 19 inch module frame 1RU 24 port stainless steel unequipped
130921-E	E-DAT modul 24x8(8) 1RU patch panel Cat.6 <sub>A</sub> , stainless steel
130922-00-E	6 port module frame 1RU
130922-02-E	E-DAT modul 6x8(8) 3RU patch panel Cat.6 <sub>A</sub>
130922-03-E	E-DAT modul 6x8(8) for 1RU patch panel Cat.6 <sub>A</sub>
130924-00-E	Modul 19 inch module frame 1.5RU 48 port stainless steel unequipped
130924-E	E-DAT modul 48x8(8) 1.5RU patch panel Cat.6 <sub>A</sub> , stainless steel
130927-1200-E	SmartConnect Patchpanel 12 ports MC module
130927-1600-E	SmartConnect Patchpanel 16 ports MC module
130927-2400-E	SmartConnect Patchpanel 24 ports MC module
1309426003-E	E-DAT modul REG 1 port IP20 light gray
1309427103-E	Modul REGplus IP20 light gray unequipped
1309470002-I	IP44 surface-mounted module housing with hinged cover and lock, pure white, 2 port unequipped for MC module
1309470002KI	IP44 surface-mounted module housing with hinged cover and lock, pure white, 2 port unequipped for Keystone
1309470003-I	IP44 surface-mounted module housing with hinged cover and lock, gray, 2 port unequipped for MC module
1309470003KI	IP44 surface-mounted module housing with hinged cover and lock, gray, 2 port unequipped for Keystone module

# P | Cabling

## Data sheet OpDAT modul ST OS2

Page 5/6

P/N  
15091001-I

EAN 4250184109754

2024/08/22

Version: Z

### Accessories from

1309471002-I	Flush-mounted module housing with hinged cover and lock, pure white, 2 port unequipped for MC module
1309471002KI	Flush-mounted module housing with hinged cover and lock, pure white, 2 port unequipped for Keystone
1309471003-I	Flush-mounted module housing with hinged cover and lock, gray, 2 port unequipped for MC module
1309471003KI	Flush-mounted module housing with hinged cover and lock, gray, 2 port unequipped for Keystone module
1309A07003-E	REGplus IP20 E-DAT modul coupler 180°
1309A17003-E	REGplus IP20 E-DAT modul coupler 90°
130B10E2E-E	Modul module frame 3RU, 7HP 6 port stainless steel unequipped
130B117003-E	REGplus IP20 C6 <sub>A</sub> modul 180°M
130B11P0-E	C6 <sub>A</sub> modul 24 port 180°M 1RU
130B11P1-E	C6 <sub>A</sub> modul 24 port 180°M 1RU stainless steel
130B11P4-E	C6 <sub>A</sub> modul 48 port 180°M 1.5RU stainless steel
130B127003-E	REGplus IP20 C6 <sub>A</sub> modul 270°M
130D2CBU4-E	DCCS2 subassembly 4 port unequipped



# P | Cabling

Data sheet

OpDAT modul ST OS2

Page 6/6

P/N  
15091001-I

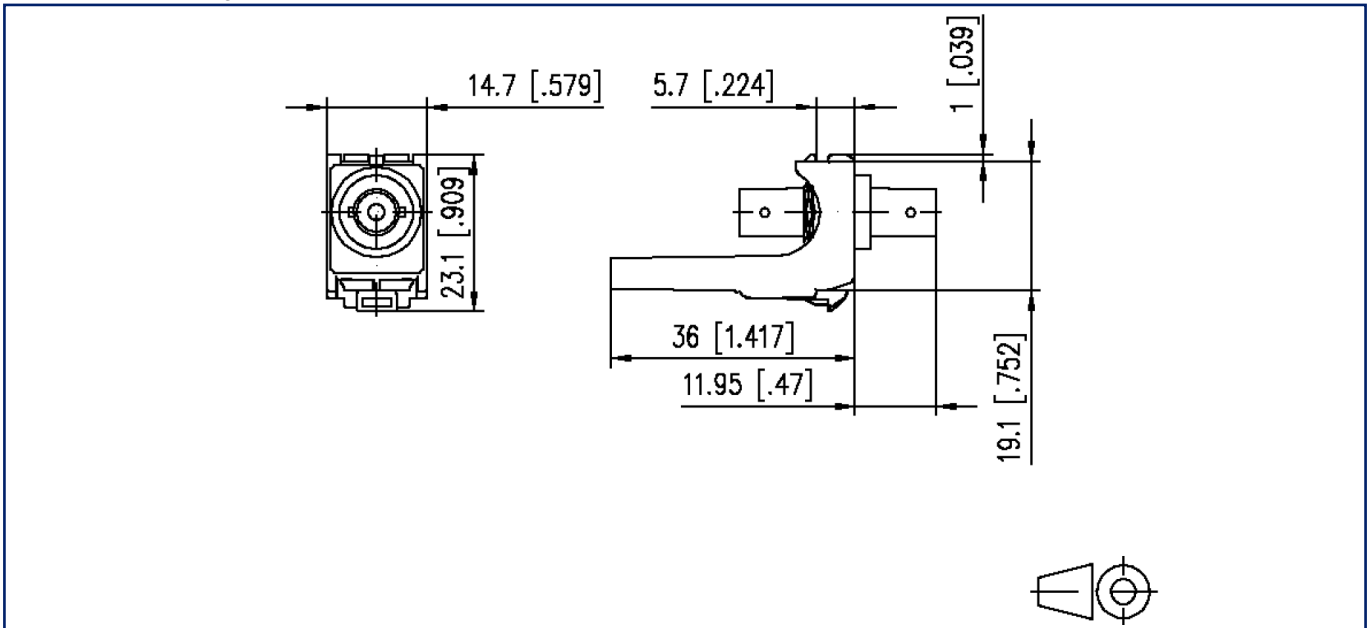
EAN 4250184109754

2024/08/22

Version: Z

## Illustrations

Dimensional drawing



Cut-out

