

Data sheet**OpDAT 4 UP for 2xSC-D/LC-Q/ST-D**

Page 1/5

P/N

1501105002-E

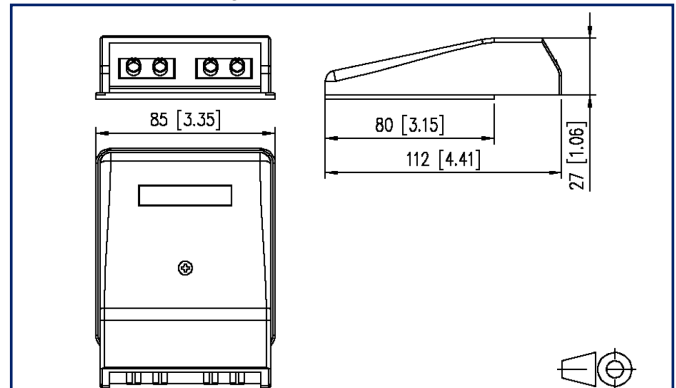
EAN 4250184106937

2023/11/29

Version: U

Illustrations

Dimensional drawing



See enlarged drawings at the end of document

Product specification

- glass fiber termination unit for mounting on a wall conduit for fibre optic adapters
- unequipped for simplex or duplex adapters
- plug direction 10° downwards
- strain relief with cable ties possible
- with label window for enclosed identification labels
- suitable for preassembled cables and on-site assembly of plugs
- cover parts in pure white RAL 9010



P | Cabling

Data sheet

Page 2/5

OpDAT 4 UP for 2xSC-D/LC-Q/ST-D

P/N

1501105002-E

EAN 4250184106937

2023/11/29

Version: U

Technical Data

General Data

Fields of application	office areas
Mechanical measurement according to MICE	M1
Ingress measurement according to MICE	I1
Climatic measurement according to MICE	C1
Electromagnetic measurement according to MICE	E3
Design	wall outlet
Mounting style	UP
Color	Pure white RAL 9010
Dimensions	
Dimension (L x W x H)	27 mm x 85 mm x 112 mm
Dimension (L x W x H)	1.063 in. x 3.346 in. x 4.409 in.
Labeling option	label window with identification label

Connections/interfaces

Number of ports interface 2	4
Number of ports interface 2 equipped	0
Module plug-in direction	10° downwards

Mechanical data

strain relief	cable tie
---------------	-----------

Materials and material properties

Material - Housing	Plastics
Material - Cover part(s)	ABS
Material - Label window	ABS, transparent
Material - Dust protection	ABS
Halogen free	yes
RoHS	compliant

Standards/Regulations

Cover plates for installation devices 1	DIN 49075-1:1989-10
Cover plates for installation devices 2	DIN 49075-2:1989-10

P | Cabling

Data sheet

Page 3/5

OpDAT 4 UP for 2xSC-D/LC-Q/ST-D

P/N

1501105002-E

EAN 4250184106937

2023/11/29

Version: U

Technical Data

Classifications

ETIM 5.0	EC001409
ETIM 6.0	EC001409
ETIM 7.0	EC001409
ETIM 8.0	EC001409
ETIM 9.0	EC001409

Packing details

Type of packaging	1 pc(s) / box
Packaging unit - Weight (gram)	121 g
Packaging unit - Weight (pound)	0.27 lb
Packaging dimension	83 mm x 33 mm x 140 mm
Packaging dimension	3.268 in. x 1.299 in. x 5.512 in.



P | Cabling

Data sheet

OpDAT 4 UP for 2xSC-D/LC-Q/ST-D

Page 4/5

P/N

1501105002-E

EAN 4250184106937

2023/11/29

Version: U

Accessories

P/N	Designation
150810-I	OpDAT cable guide for OpDAT 4 UP



P | Cabling

Data sheet

OpDAT 4 UP for 2xSC-D/LC-Q/ST-D

Page 5/5

P/N

1501105002-E

EAN 4250184106937

2023/11/29

Version: U

Illustrations

Dimensional drawing

