

DATASHEET

CSMAJ041 • CONNECTOR



## Description

- SMA (F) Jack Straight Connector
- PCB Edge Mount
- Dimensions - 13.5mm x 8mm

# Contents

1. Features	2
2. General data	2
3. Part number	3
4. Drawing	3
5. Hazardous Material Regulation Conformance	4

## 1. Features

PCB edge mounted Female SMA connector  
 Maximum PCB thickness is 1.6mm  
 SMA F (Female) straight connector  
 Gold plated for high reliability  
 Rated for >500 cycles of connector insertion

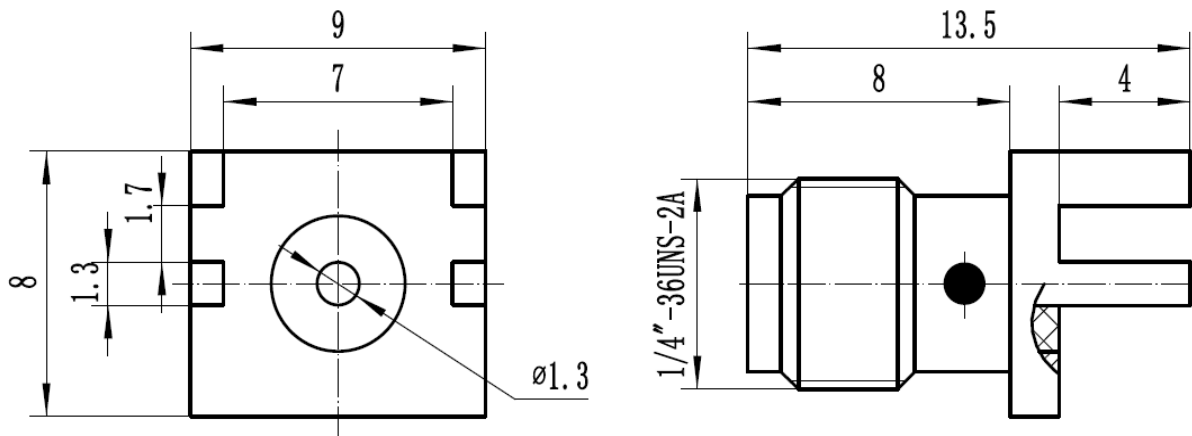
## 2. General data

ELECTRICAL	
Impedance	50Ω
Frequency Range	DC ~ 6GHz
Working Voltage	Max ≤ 335 Vrms
Dielectric Withstanding Voltage	1000 Vrms
Insulation Resistance	≥ 5000MΩ
Center Contact Resistance	≤ 3mΩ
Outer Contact Resistance	≤ 2mΩ
Durability	> 500 cycles
VSWR	≤ 1.30
MECHANICAL	
Connector Dimensions	13.5mm * 8mm
Connector Pin Dimension	1.30mm
Connector Type	SMA Jack Straight
ENVIRONMENTAL	
Hazardous Material Regulation	RoHS compliant
Operating Temperature	-55°C to +155°C

### 3. Part number

Part Number – CSMAJ041

### 4. Drawing



		MATERIAL	FINISH	QTY
1	Body	Brass	Gold	1
2	Insulator	Teflon	White	1
3	Contact Pin	Beryllium Copper	Gold	1

## 5. Hazardous Material Regulation Conformance

---

The connector has been tested to conform to RoHS requirements.  
A certification of conformance is available from Antenova's website.

### Quality statements

Antenova's products conform to REACH and RoHS legislation. For our statements regarding these and other quality standards, please see [antenova.com](http://antenova.com).



Antenova reserves all rights to the contents of this document. Antenova gives no warranties based solely on the accuracy or completeness of the contents of this document and reserves the right to make changes to the specifications of the products described herein at any time and without notice.

Datasheet version

1.01 release Mar 15 2023

# Antenna design, integration and test resources

Product designers – the details contained in this datasheet will help you to complete your embedded antenna design. Please follow our technical advice carefully to obtain optimum antenna performance.

We aim to support our customers to create high performance wireless products. You will find a wealth of design resources, calculators and case studies to aid your design on our website.

Antenova's design laboratories are equipped with the latest antenna design tools and test chambers. We provide antenna design, test and technical integration services to help you complete your design and obtain the required certifications.

If you cannot find the antenna you require in our product range, please contact us to discuss creating a custom antenna to meet your exact requirements.

Share knowledge with RF experts around the world.

**ask.antenna** is a global forum for designers and engineers working with wireless technology.

[VISIT ASK.ANTENOVA](https://www.antenna.com/ask)

Visit [antenna.com](https://www.antenna.com)

Order antenna samples and evaluation boards, and read our antenna resources

[VISIT ANTENOVA.COM](https://www.antenna.com)

Request a volume quotation for antennas:

[sales@antenna.com](mailto:sales@antenna.com)

Global headquarters

**Antenna Ltd, 2nd Floor Titan Court, 3 Bishop Square, Hatfield, AL10 9NA**

**+44 (0) 1707 927589**