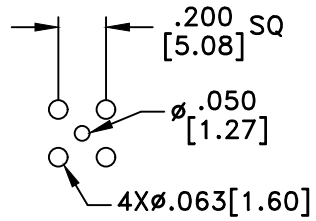
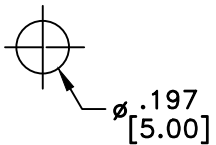


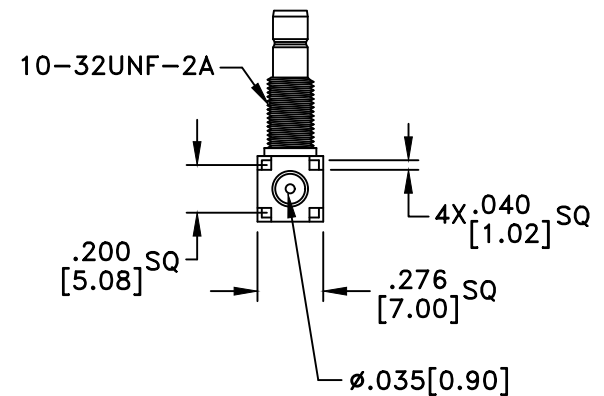
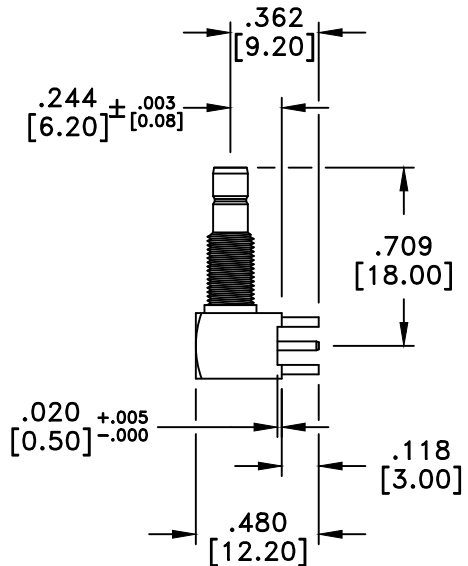
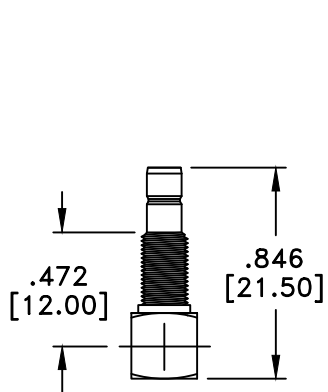
RevNo	Revision Notes	Date	Checked
1	Initial Release	072408	GC



RECOMMENDED
HOLE PATTERN



RECOMMENDED
MOUNTING HOLE



RoHS Compliant

Nut and Washer NOT INCLUDED

MATERIAL

BODY	BRASS
BODY PLATING	GOLD
CONTACT	BRASS
CONTACT PLATING	GOLD
DIELECTRIC	TEFLON (PTFE)

75 Ohm IMPEDANCE
500V PEAK VOLTAGE RATING
TEMPERATURE RANGE: -55°C TO +155°C
INTERFACE DIMENSIONS SIMILAR TO MIL-C-39012

MILLIMETER WAVE TECHNOLOGIES
6501 W. FRYE ROAD, #15
CHANDLER, AZ 85226

SMB MALE R/A BULKHEAD
PCB MOUNT 4 LEGS
75 OHMS

Designed by G.COLEMERE	Checked by W. CANON	Approved by A. LEE	File name MWB-5510-AG-75	TITLE MWB-5510-AG-75
---------------------------	------------------------	-----------------------	-----------------------------	-------------------------

TOLERANCES
DIMENSIONS ARE IN INCHES UNLESS
OTHERWISE SPECIFIED
DECIMALS ANGULAR
.XX ± .02 ± .06
.XXX ± .005 ± .08
DO NOT SCALE THIS DRAWING

ALL DIMENSIONS ON THIS DRAWING ARE FOR REFERENCE
PURPOSES ONLY AND ARE SUBJECT TO CHANGE.

REV. 1	Scale NONE
DATE 072408	Sheet 1 of 1