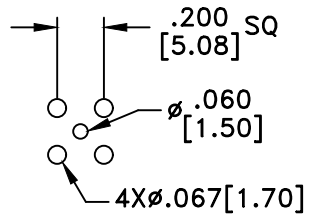
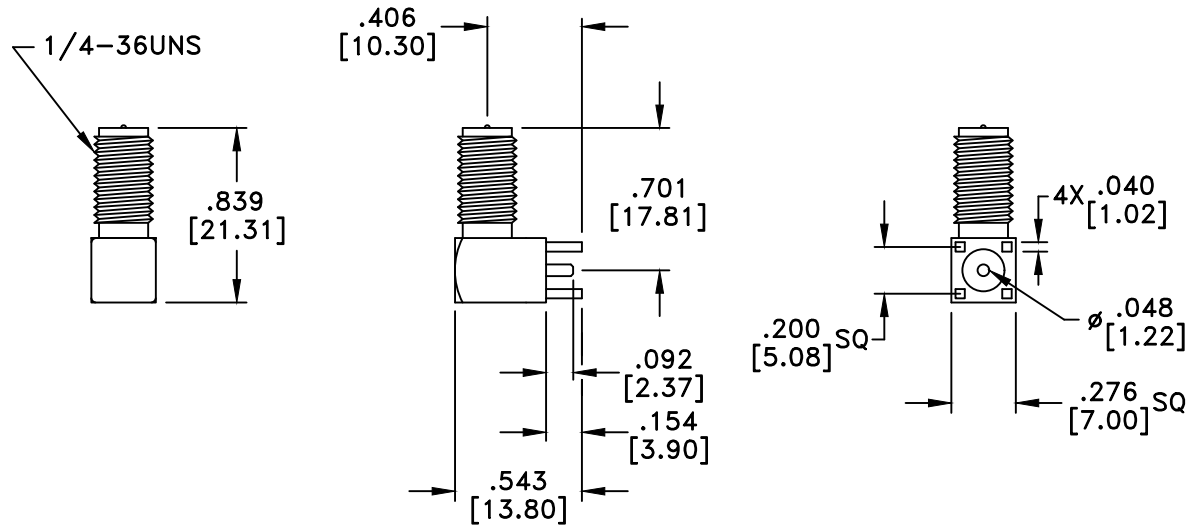


RevNo	Revision Notes	Date	Checked
1	Initial Release	051710	PC
2	Mounting hardware included	052110	PC



RECOMMENDED HOLE PATTERN



RoHS Compliant

NOTE: 1/4" HEX NUT and LOCKWASHER INCLUDED

MATERIALS

BODY	BRASS
BODY PLATING	GOLD
CONTACT	BRASS
CONTACT PLATING	GOLD
DIELECTRIC	TEFLON (PTFE)

50 Ohm IMPEDANCE
 500V PEAK VOLTAGE RATING
 TEMPERATURE RANGE: -55°C TO +155°C
 INTERFACE DIMENSIONS SIMILAR TO MIL-C-39012

MILLIMETER WAVE TECHNOLOGIES
 6501 W. FRYE ROAD, #23
 CHANDLER, AZ 85226

SMA REVERSE POLARITY JACK
 RIGHT ANGLE PCB MOUNT

Designed by P. CHEN	Checked by S. NEUGESS	Approved by A. LEE	File name MWA-3300-RP-GA	TITLE MWA-3300-RP-GA
<p>TOLERANCES DIMENSIONS IN INCHES UNLESS OTHERWISE SPECIFIED DECIMALS ANGULAR .XX ± .02 ± .06 .XXX ± .005</p>				<p>ALL DIMENSIONS ON THIS DRAWING ARE FOR REFERENCE PURPOSES ONLY AND ARE SUBJECT TO CHANGE.</p>
<p>REV. 2</p>				<p>Scale NONE</p>
<p>DATE 051710</p>				<p>Sheet 1 of 1</p>