


Product information

0976 PMC 515

Industrial Connecting Solutions:Cables and Adapters:T-connectors / adaptors:7/8", M23, RJ45/M12, D-Sub/M12 - T-connectors/adaptors:D-Sub/M12 Profibus-DP Connectors:D-Sub-M12 Adaptor:0976

PMC 515

<https://catalog.beldensolutions.com:443/link/57078-24228-256254-57229-218891-375155-375305-375712/en/conf/ui/state>

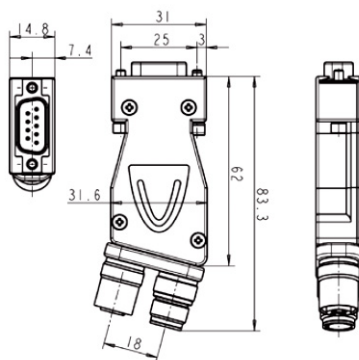
Name	0976 PMC 515
	
	D-Sub/M12 Profibus bus connector, 180° compact version (Axial cable connection), M12 quick connectors, full metal body, without testing socket, with external switch for bus termination, Connectors and pin layout acc. to PROFIBUS specification
Delivery informations	
Availability	available
Product description	
Type	0976 PMC 515
Order No.	109518
Description	D-Sub/M12 Profibus bus connector, 180° compact version (Axial cable connection), M12 quick connectors, full metal body, without testing socket, with external switch for bus termination, Connectors and pin layout acc. to PROFIBUS specification
Number of contacts	9
Color of housing	metallic
Note	<ul style="list-style-type: none"> - PROFIBUS DP Interface D-Sub 9 poles male - PROFIBUS cable Interface M12 B-code male and female, Pin 1 = +5V, Pin 2 = Line A, Pin 3 = GND (0V), Pin 4 = Line B - Shielded Profibus M12-Cable assemblies: B-Coded, only Pin 2 and 4 connected, shield transfer only via shell (e.g. 0975 254 10x/... M) - Mechanical lifetime 200 Mating cycles - D-Sub locking screw: Knurled screw UNC 4-40 - Bus termination resistors activated via external switch or via external terminator on Bus-Out-Connector (e.g. 0979 PTX 101)
Classification	
Belden brand	Lumberg-Automation
Environmental conditions	
Environmental temperature	-20 °C ... 70 °C
Environmental temperature (explanation)	Permissible humidity: Max. 75 % at +25°C, non-condensing
Degree of protection (IP), mounted	IP30
Mechanical data	
Thread	M12
Coding of the M12 round plug connector	B
Dimensions (W x H x D)	84.8 mm x 35.6 mm x 16.8 mm
Width	84.8 mm
Height	35.6 mm
Depth	16.8 mm
Materials	
Housing material / Molded body	Zn alloy
Electrical data	
Data rate	12 MBit/s
Approvals	
Approvals	RoHS 2002/95/EG

PMC 515

<https://catalog.beldensolutions.com:443/link/57078-24228-256254-57229-218891-375155-375305-375712/en/conf/ui/state>

Picture

Drawing



Belden Deutschland GmbH

Im Gewerbepark 2
58579 Schalksmühle
Germany
Phone: +49 7127/14-1806
E-Mail: icos-sales@belden.com

The information published in the websites has been compiled as carefully as possible. It is subject to alteration without notice in technical as well as in price-related/commercial respect. The complete information and data were available on user documentation. Mandatory information can only be obtained by a concrete query.