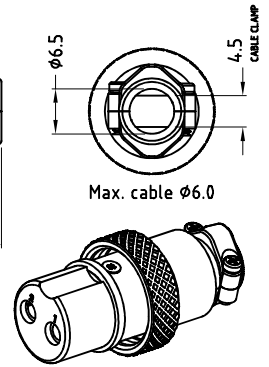
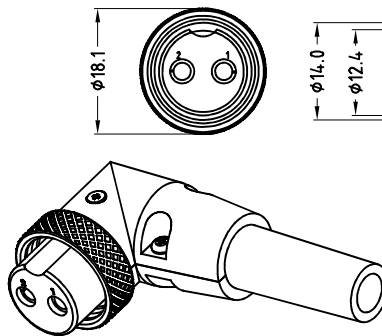
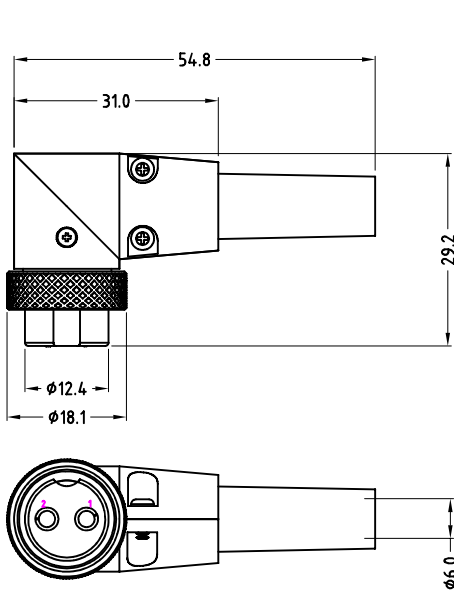


# CLIFF

## CLIFFCON MINIATURE ZC SERIES Locking multipole shielded connectors



ZC Series are available in a range of 2 pole to 8 pole plugs and sockets. Primarily they are intended for low voltage and signal applications. Contacts are tin plated, and other metal parts are brass or zinc alloy, nickel plated. There are also 90° versions of the plug, and a socket dust cover.

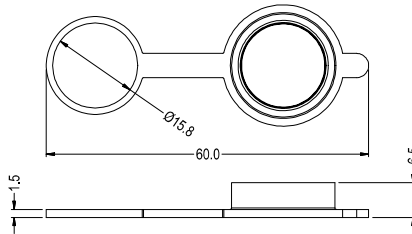
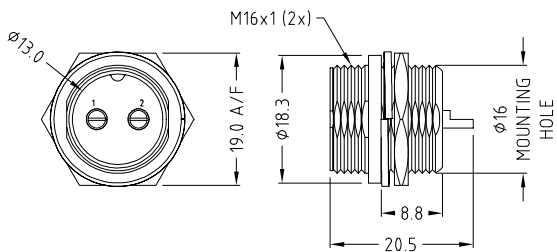


### 90° Plug Part Numbers:

2 Pole.....	<b>FC684222R</b>
3 Pole.....	<b>FC684223R</b>
4 Pole.....	<b>FC684224R</b>
5 Pole.....	<b>FC684225R</b>
6 Pole.....	<b>FC684226R</b>
7 Pole.....	<b>FC684227R</b>
8 Pole.....	<b>FC684228R</b>

### Plug Part Numbers:

2 Pole.....	<b>FC684212</b>
3 Pole.....	<b>FC684213</b>
4 Pole.....	<b>FC684214</b>
5 Pole.....	<b>FC684215</b>
6 Pole.....	<b>FC684216</b>
7 Pole.....	<b>FC684217</b>
8 Pole.....	<b>FC684218</b>



### Socket Part Numbers:

2 Pole.....	<b>FC684202</b>
3 Pole.....	<b>FC684203</b>
4 Pole.....	<b>FC684204</b>
5 Pole.....	<b>FC684205</b>
6 Pole.....	<b>FC684206</b>
7 Pole.....	<b>FC684207</b>
8 Pole.....	<b>FC684208</b>

Socket Dust Cover - **FC684200**

Specification: Rated 1A / Pin - 48V max.

# CLIFF

## ZC CLIFFCON CABLE



### Part Numbers

**CIH684214** - ZC CLIFFCON 4 PIN 1.5m CABLE

**CIH684216** - ZC CLIFFCON 6 PIN 1.5m CABLE

**CIH684218** - ZC CLIFFCON 8 PIN 1.5m CABLE

**Rating:** All plugs rated 1A / PIN - 48V max

### Cable Specification:

4 way     $\text{Ø}6.7$  4x0.50mm<sup>2</sup> FR-PVC unscreened

6 way     $\text{Ø}4.8$  6x0.22mm<sup>2</sup> FR-PVC unscreened

8 way     $\text{Ø}5.8$  9x0.22mm<sup>2</sup> FR-PVC unscreened

**Temperature Range:** -20°C to +70°C