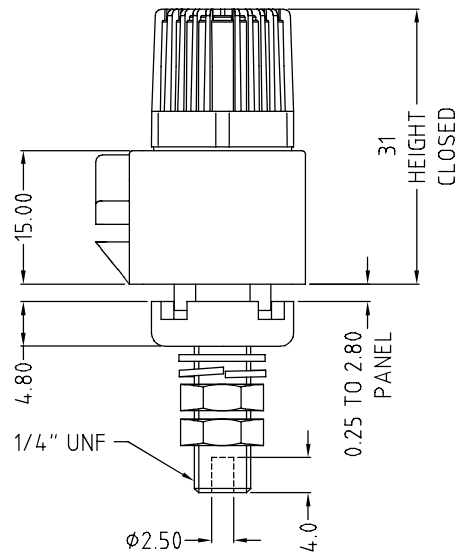
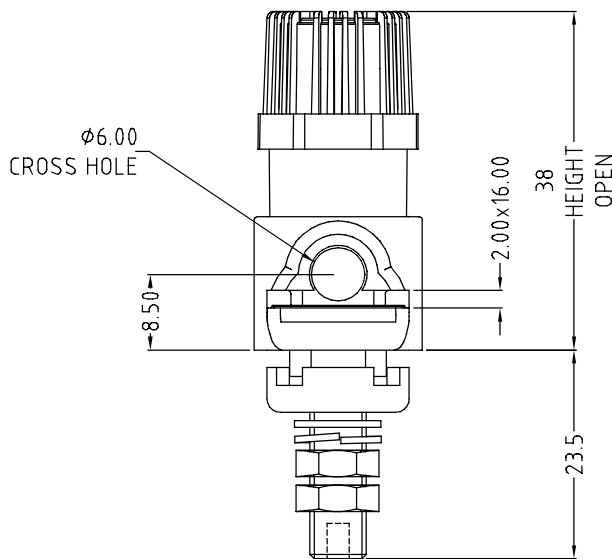
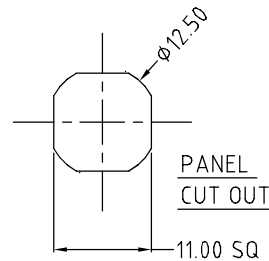
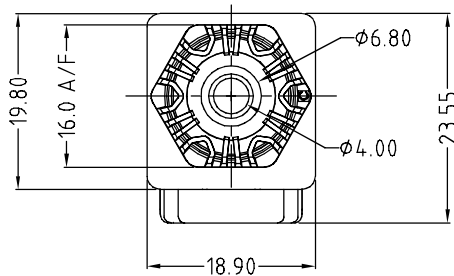
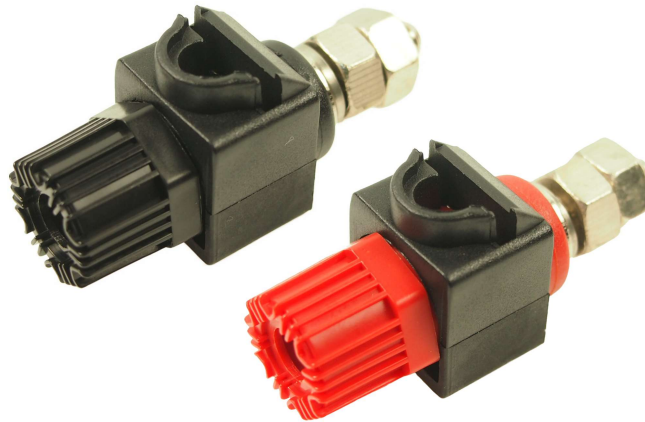


CLIFF

60A. TERMINAL TP60V



Part Nos.

CL159825BA - TP60V BLACK

CL159825RA - TP60V RED

Supplied assembled.

Maximum current: 60A.

Contact resistance: Nickel <30mΩ

Temperature rating: -20°C to +80°C