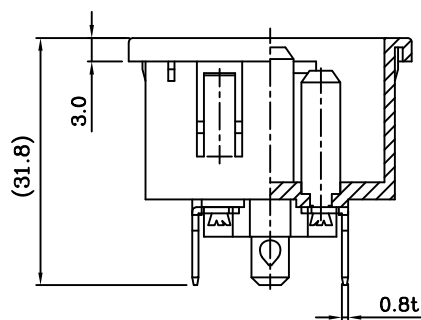


PANEL CUT-OUT

代碼	XX
B	10
	12
	15
	17
	20
	25



A		
R-305SN1 (00)XX	R-305SN1 (01)XX	R-305SN1 (02)XX

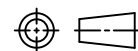
SPECIFICATION:

1. Insulation Resistance: Over 100MΩ at 500V DC.
2. Dielectric strength: 2000V AC 1 Minute.
3. Body Material: Thermoplastic 94V-2~V-0.

Rating:AC 16A 250V	
Mark	Safety Regulation
	VDE
	ENEC
	CCC
Rating:AC 20A 250V	
Mark	Safety Regulation
	UL
	CUL



富灣股份有限公司  
RICH BAY COMPANY LTD.  
台北縣樹林市東興街57號  
NO. 57, Tung Hsing St., Shu-Lin Town,  
Taipei Hsien, Taiwan, R. O. C.  
TEL:886-2-86867781~4 FAX:886-2-86867780  
http://www.richbay.com.tw



DRAWN BY



UNIT

mm

UNIT Q'TY

1

SCALE

1:1

APPROVED BY



TOLERANCE

X.XX±0.1  
XX.XX±0.2  
XXX.XX±0.3

DESCRIPTION

241023A01

PRODUCT NO.

R-305SN1 (00) XX

INTERIM NO.

NEW NO.

REV

F