

## Modular Cable Plug to Plug 8p8c (RJ45, Ethernet) 1.00' (304.8mm) Double Shielded

## RoHS Compliant

Stock No.: CAT8-01OR

### FEATURES

- Strain Relief
- S/FTP
- 24 AWG
- Stranded Copper



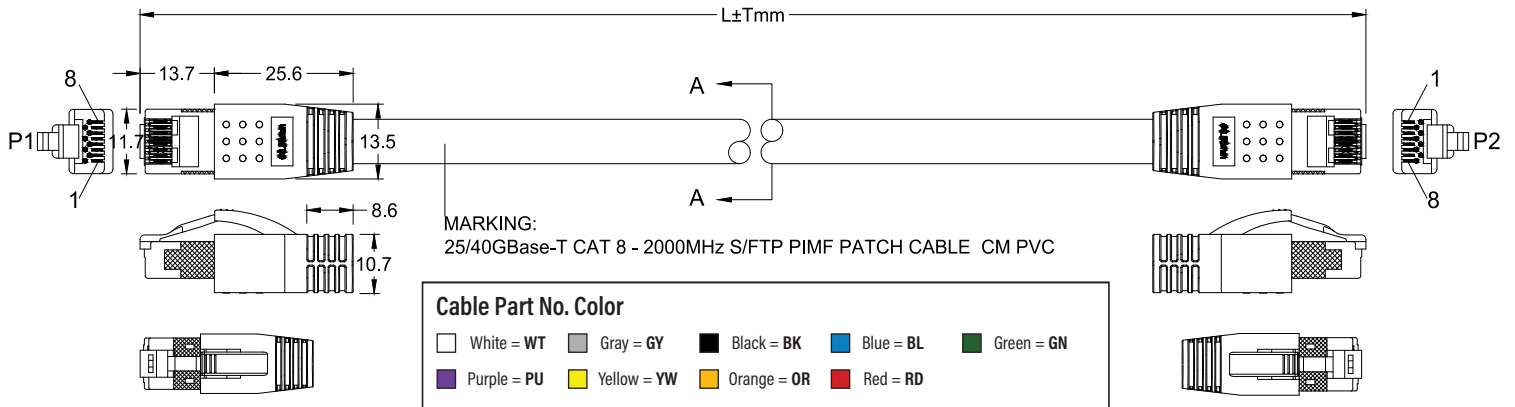
### Product Description

Cat.8 Ethernet Network Cables are capable to reach up to 40Gbps transfer speeds and up to 2GHz bandwidth using copper conductors and RJ45 connectors. Cat.8 patch cables are backwards compatible with all categories Cat.5E, Cat.6, Cat6A, Cat.7.

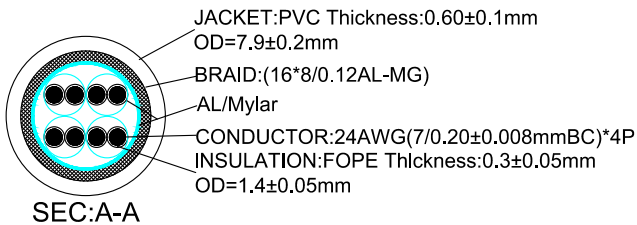
### General Specifications

Attribute	Value
Terminated/Unterminated	Terminated
Connector Type	RJ45
Cable Type	Ethernet
Length	1.00' (304.8mm)
Gauge	24 AWG
Conductor	Bare Copper
Shield/Unshielded	Shielded
Voltage Rating	30V
1.0 - 2000MHz Impedance ( $\Omega$ )	100 $\pm$ 15
Maximum Operating Frequency	2000MHz
Operating & Storage Temp.	-40°C to 60°C   -40°F to 140°F
Installation Temp.	-20°C to 60°C   -4°F to 140°F
Jacket Color	Orange

## Product Drawing



PINOUT		
P1	WIRE	P2
1	WHITE/ORANGE	1
2	ORANGE	2
3	WHITE/GREEN	3
6	GREEN	6
5	WHITE/BLUE	5
4	BLUE	4
7	WHITE/BROWN	7
8	BROWN	8
S	SHIELDED	S



orange 1	green 2
white/orange	white/orange
blue 3	brown 4
white/blue	white/brown

③	RJ45 PLUG	8P8C 50U' GOLD PLATED TWO-PIECE PLUG; SHIELDED NICKEL PLATING		
②	MOLDED	Assembled boot		
①	CABLE	CAT8 S/FTP [1P/24AWG(7*0.20BC)+AL]*4+BRAID(16*8/0.12AL-MG) OD=Ø7.9±0.20MM		
NO.	PART NAME	SPECIFICATION DESCRIPTION	QTY	UNIT

Dimensions: Millimeters (Inches)

### Part Number Table

Part Number	Description
CAT8-00OR	Modular Cable Plug to Plug 8p8c (RJ45, Ethernet) 0.50' (152.4mm) Double Shielded
CAT8-01OR	Modular Cable Plug to Plug 8p8c (RJ45, Ethernet) 1.00' (304.8mm) Double Shielded
CAT8-02OR	Modular Cable Plug to Plug 8p8c (RJ45, Ethernet) 2.00' (609.6mm) Double Shielded
CAT8-03OR	Modular Cable Plug to Plug 8p8c (RJ45, Ethernet) 3.00' (914.4mm) Double Shielded
CAT8-05OR	Modular Cable Plug to Plug 8p8c (RJ45, Ethernet) 5.00' (1.52m) Double Shielded
CAT8-07OR	Modular Cable Plug to Plug 8p8c (RJ45, Ethernet) 7.00' (2.13m) Double Shielded
CAT8-10OR	Modular Cable Plug to Plug 8p8c (RJ45, Ethernet) 10.00' (3.05m) Double Shielded
CAT8-15OR	Modular Cable Plug to Plug 8p8c (RJ45, Ethernet) 15.00' (4.57m) Double Shielded
CAT8-25OR	Modular Cable Plug to Plug 8p8c (RJ45, Ethernet) 25.00' (7.62m) Double Shielded
CAT8-35OR	Modular Cable Plug to Plug 8p8c (RJ45, Ethernet) 35.00' (10.67m) Double Shielded
CAT8-50OR	Modular Cable Plug to Plug 8p8c (RJ45, Ethernet) 50.00' (15.24m) Double Shielded

Important Notice: This data sheet and its contents (the "Information") belong to the members of the EASE group of companies (the "Group") or are licensed to it. No license is granted for the use of it other than for information purposes in connection with the products to which it relates. No license of any intellectual property rights is granted. The Information is subject to change without notice and replaces all data sheets previously supplied. The Information supplied is believed to be accurate, but the Group assumes no responsibility for its accuracy or completeness, any error in or omission from it or for any use made of it. Users of this data sheet should check for themselves the Information and the suitability of the products for their purpose and not make any assumptions based on information included or omitted. Liability for loss or damage resulting from any reliance on the Information or use of it (including liability resulting from negligence or where the Group was aware of the possibility of such loss or damage arising) is excluded. This will not operate to limit or restrict the Group's liability for death or personal injury resulting from its negligence. EASE is the registered trademark of Ease Electronics Co., Limited 2019.