

Data sheet

Patch cord Cat.6_A AWG 27, 5.0 m yellow, cULus

Page 1/7

P/N

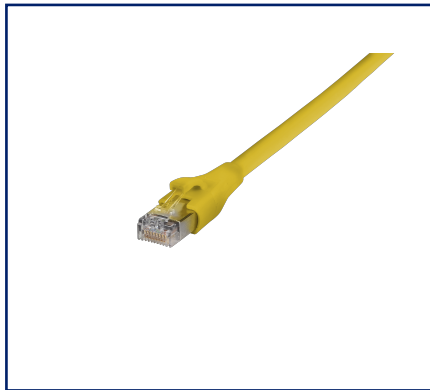
13084C5077-E

EAN 4250184153429

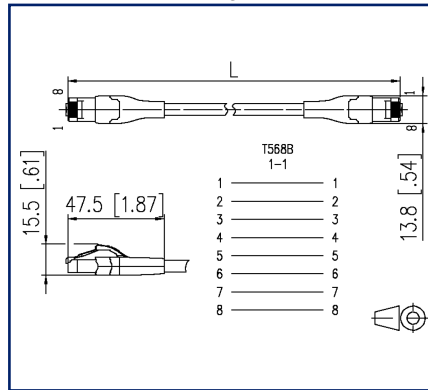
2024/09/12

Version: E

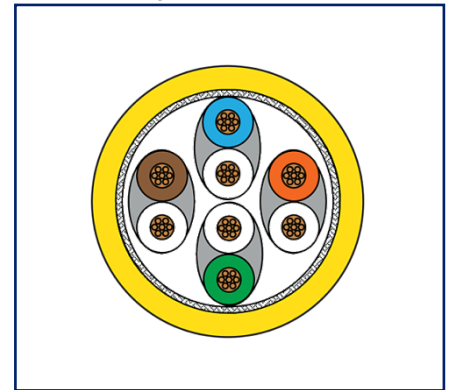
Illustrations



Dimensional drawing



Principle diagram



See enlarged drawings at the end of document

Product specification

- especially suitable for shielded and unshielded class E_A systems
- cULus listed / DUXR.E178484
- fully shielded Cat.6_A patch cord AWG 27/7
- two shielded RJ45 connectors, 1:1 assignment
- cable type: S/FTP 4x2xAWG 27/7 PIMF
- cable sheath: LSHF (LSOH), halogen free
- component testing for Cat.6_A acc. to ISO/IEC 11801-1 and IEC 61935-2
- class E_A Link up to 500 MHz to ISO/IEC 11801-1, DIN EN 50173-1
- suitable for 10 GBit Ethernet (IEEE 802.3an) and Remote Powering (PoE, PoE plus, UPoE) and HDBaseT
- snagless boot with integrated lever protection
- colors may differ slightly due to different protection lots

P | Cabling

Data sheet

Page 2/7

Patch cord Cat.6_A AWG 27, 5.0 m yellow, cULus

P/N

13084C5077-E

EAN 4250184153429

2024/09/12

Version: E

Technical Data

General Data

Fields of application	structured building cabling office areas Distributed building services data center Tertiary
Mechanical measurement according to MICE	M1
Ingress measurement according to MICE	I1
Climatic measurement according to MICE	C1
Electromagnetic measurement according to MICE	E2
Design	patch cord
Shielding	shielded
Transmission technology	Copper
Cable Type	S/FTP
Number of twisting elements	4
Twisting element	Pair
Wiring	1 - 1
Color coding fiber/ wire(s)	white, orange, white, green, white, brown, white, blue
Color	yellow
Dimensions	
Dimension - Interface 1 (L x W x H)	47.5 mm x 13.8 mm x 15.5 mm
Dimension - Interface 1 (L x W x H)	1.87 in. x 0.543 in. x 0.61 in.
Dimension - Interface 2 (L x W x H)	47.5 mm x 13.8 mm x 15.5 mm
Dimension - Interface 2 (L x W x H)	1.87 in. x 0.543 in. x 0.61 in.
Cable length (m)	5 m
Cable length (ft)	16.4 ft
Weight	41 kg/km
Marking option	by cable boot

Transmission characteristics

Category (ISO)	6 _A
Class (ISO/IEC)	E _A
Category (TIA)	6A
Remote Powering	yes
PoE	IEEE 802.3af

P | Cabling

Data sheet

Page 3/7

Patch cord Cat.6_A AWG 27, 5.0 m yellow, cULus

P/N

13084C5077-E

EAN 4250184153429

2024/09/12

Version: E

Technical Data

Transmission characteristics	
PoE plus	IEEE 802.3at
UPoE	yes
HDBaseT	yes
Transmission rate up to 100 MBit (Fast Ethernet)	IEEE 802.3u
Transmission rate up to 1 GBit (Fast Ethernet)	IEEE 802.3ab
Transmission rate up to 10 GBit	IEEE 802.3an

Connections/interfaces	
Connector technology interface 1	RJ45 plug
Connector technology interface 2	RJ45 plug
Number of ports interface 1	1
Number of ports interface 2	1
Number of equipped ports interface 1	1
Number of ports interface 2 equipped	1
Number of positions/contacts interface 1	8P/8C
Number of positions/contacts interface 2	8P/8C
Termination data, stranded wire (min. - max.)	
Conductor cross section, stranded wire	AWG 27/7
Conductor cross section, stranded wire	0.111 mm ²
Conductor diameter, stranded wire (bare copper)	0.457 mm
Conductor diameter, stranded wire (bare copper)	0.018 in.
Cable sheath diameter (min. - max.)	
Cable sheath diameter	6 mm
Cable sheath diameter	0.236 in.
Copper index	18 kg/km

Electrical characteristics	
Current carrying capacity	max. 1 A
Rated voltage	max. 60 V DC
Contact resistance	max. 20 mOhm
Through resistance	max. 200 mOhm
Insulation resistance	min. 100 MOhm
Transfer impedance 10 MHz	5 mOhm/m

P | Cabling

Data sheet

Page 4/7

Patch cord Cat.6_A AWG 27, 5.0 m yellow, cULus

P/N

13084C5077-E

EAN 4250184153429

2024/09/12

Version: E

Technical Data

Electrical characteristics

Coupling attenuation	80 dB
Signal propagation delay	440 ns/100 m
Delay skew	2.5 ns/100 m
Dielectric strength conductor-conductor (primarily)	max. 500 V DC
Dielectric strength conductor-conductor (secondary)	max. 500 V DC

Mechanical data

Tensile force	40 N
Fire load	350 MJ/km
Position/mounting of latch standard installation position	top
Bending radius without load	max. 25.2 mm
Bending radius with load	max. 50.4 mm
Maximum operating bending radius	31.5 mm

Materials and material properties

Material - Conductor	Cu (copper)
Material - Conductor Insulation	Polyethylene
Material - Cable jacket	LSHF (LSOH)
Material - Plug housing interface 1	PC (polycarbonate)
Material - Plug housing interface 2	PC (polycarbonate)
Material - Body interface 1	Plastics
Material - Body interface 2	Plastics
Material - Contact interface 1	CuSn
Material - Contact interface 2	CuSn
Material - Contact finish interface 1	Au (gold)
Material - Contact finish interface 2	Au (gold)
Material - Contact carriers interface 1	Plastics
Material - Contact carriers interface 2	Plastics
Material - Shield interface 1	CuZn
Material - Shield interface 2	CuZn
Material - Shield finish interface 1	Ni (nickel)
Material - Shield finish interface 2	Ni (nickel)
Material - Pair shield	plastic film



P | Cabling

Data sheet

Page 5/7

Patch cord Cat.6_A AWG 27, 5.0 m yellow, cULus

P/N

13084C5077-E

EAN 4250184153429

2024/09/12

Version: E

Technical Data

Materials and material properties

Material - Pair shield finish	Al (Aluminium)
Material - Main shield	Cu (copper) braid
Material - Main shield finish	Sn
Halogen free	yes
RoHS	compliant

Environmental conditions

Temperature (min. - max.)	
Temperature - Storage °C	-20 °C - 60 °C
Temperature - Storage °F	-4 °F - 140 °F
Temperature - Operating °C	-20 °C - 60 °C
Temperature - Operating °F	-4 °F - 140 °F
Temperature - Installation °C	0 °C - 50 °C
Temperature - Installation °F	32 °F - 122 °F

Approvals

UL listed (file no.)		DUXR.E178484
UL 444	compliant	

Standards/Regulations

Generic cabling systems	
General requirements	ISO/IEC 11801-1 DIN EN 50173-1 ANSI/TIA-568.2-D
Office buildings	ISO/IEC 11801-2 DIN EN 50173-2 ANSI/TIA-568.2-D
Industrial area	ISO/IEC 11801-3 DIN EN 50173-3 ANSI/TIA-1005-A
Living units	ISO/IEC 11801-4 DIN EN 50173-4 ANSI/TIA-570-D
Data centers	ISO/IEC 11801-5 DIN EN 50173-5 ANSI/TIA-942-B
Connectors for electronic equipment	
Free and fixed connectors	IEC 60603-7-51

P | Cabling

Data sheet

Page 6/7

Patch cord Cat.6_A AWG 27, 5.0 m yellow, cULus

P/N

13084C5077-E

EAN 4250184153429

2024/09/12

Version: E

Technical Data

Standards/Regulations

Specification for the testing of balanced and coaxial information technology cabling

Cords as specified in ISO/IEC 11801 and related standards	IEC 61935-2
---	-------------

Classifications

ETIM 7.0	EC001262
ETIM 8.0	EC001262
ETIM 9.0	EC001262

Packing details

Type of packaging	1 pc(s) / plastic bag
-------------------	-----------------------

Application note

This product is a standard product of METZ CONNECT. METZ CONNECT is not aware of the specific intended use of the goods by the Customer or any customers of the Customer. The Customer guarantees that it has fully and sufficiently tested the use of the goods and any product modifications, product changes or product enhancements with regard to the specific intended use in accordance with the state of the art or in any other way. At METZ CONNECT's request, the Customer shall submit and make available meaningful evidence (e.g. test and laboratory protocols, certifications, etc.).

P | Cabling

Data sheet

Page 7/7

Patch cord Cat.6_A AWG 27, 5.0 m yellow, cULus

P/N

13084C5077-E

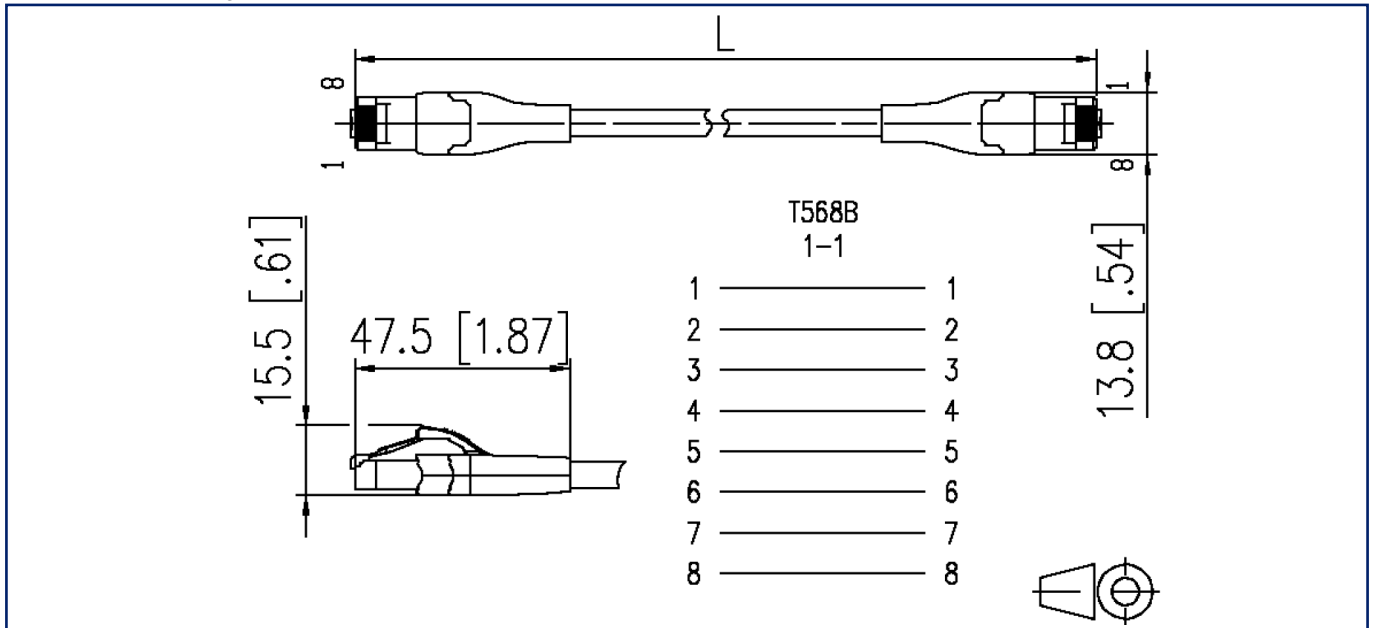
EAN 4250184153429

2024/09/12

Version: E

Illustrations

Dimensional drawing



Principle diagram

