

## Data sheet

### DIN Rail Mounting Bracket for Wall Outlets - Horizontal Mounting

P/N

1308895520-I

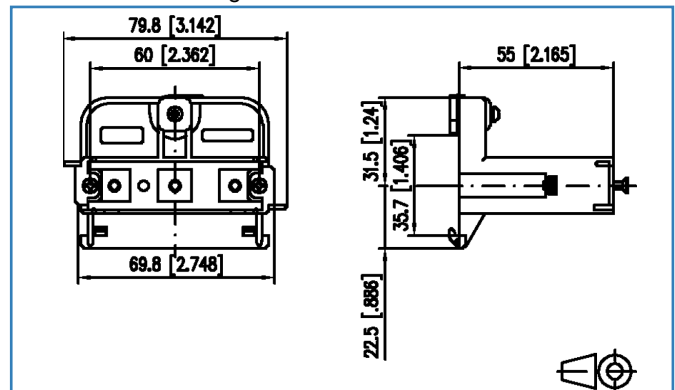
EAN 4250184105220

2016-13-07

#### Illustrations



Dimensional drawing



See enlarged drawings at the end of document

#### Product specification

- mounting bracket for easy to mount and compact installation of wall outlets in wall conduits to meet the maximum bending radii required for copper and fiber optic data cables. To isolate them from mains voltage-carrying parts, the brackets can also be supplied with plug-in separation cup.
- mounting height 52 mm for Niedax, Nowaplast, Rehau (Signo series) cable ducts
- mounting heights 50 and 55 mm for Licatec, PROTEC, G GK, Thorsmann Inka series cable ducts with adapters TTI-N70 or N215
- variants: 50 mm white, 50 mm white with separation cup, 52 mm black, 52 black with separation cup, 55 mm black, 55 mm black with separation cup

## DIN Rail Mounting Bracket for Wall Outlets - Horizontal Mounting

P/N

130889520-I

EAN 4250184105220

2016-13-07

### Technical Data

#### General Data

Design	Mounting bracket
Mounting style	Accessories
Color	black
Dimensions	
Dimension (L x W x H)	55.00 x 79.80 x 54.00 mm
Dimension (L x W x H)	2.165 x 3.142 x 2.13 in.
Installation Height	55.00 mm
Installation Height	2.165 in.

#### Materials and material properties

Material	Frianyl
----------	---------

#### Approvals

RoHS	compliant
------	-----------

#### Classifications

ETIM 5.0	EC000119
ETIM 6.0	EC000119

#### Packing details

Type of packaging	10 pc(s) / plastic bag
Packaging unit - Weight (gram)	318.00 g
Packaging unit - Weight (pound)	0.70 lb



# DIN Rail Mounting Bracket for Wall Outlets - Horizontal Mounting

P/N

1308895520-I

EAN 4250184105220

2016-13-07

## Illustrations

Dimensional drawing

