

## Data sheet

### DIN rail mounting bracket for wall outlets - horizontal mounting 52 mm, with separation cup

Page 1/8

P/N

1308895221-I

EAN 4250184105190

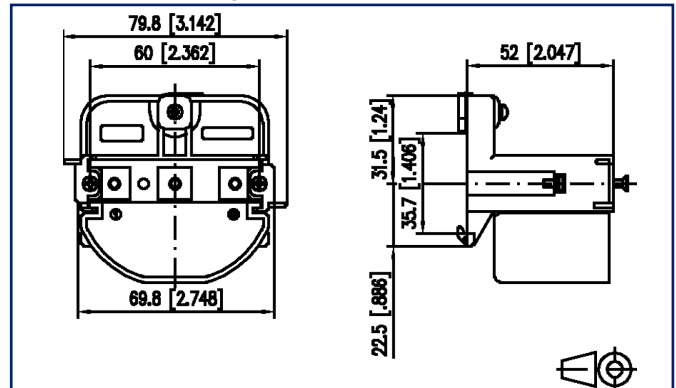
2024/02/13

Version: R

## Illustrations



Dimensional drawing



See enlarged drawings at the end of document

## Product specification

- Mounting bracket for easy mounting and compact installation of wall outlets in wall conduits to meet the maximum bending radii required for copper and fiber optic data cables.
- support rail fastening, horizontal 52.0 mm, compatible with: Niedax serie GAU 110 und DAU 170 and comparable manufacturers
- variants: 50.0 mm white, 50.0 mm white with separation cup, 52.0 mm black, 52.0 mm black with separation cup, 55.0 mm black, 55.0 mm black with separation cup



# P | Cabling

Data sheet

Page 2/8

## DIN rail mounting bracket for wall outlets - horizontal mounting 52 mm, with separation cup

P/N

1308895221-I

EAN 4250184105190

2024/02/13

Version: R

### Technical Data

#### General Data

Mechanical measurement according to MICE	M1
Ingress measurement according to MICE	I1
Climatic measurement according to MICE	C1
Electromagnetic measurement according to MICE	E3
Design	Mounting bracket
Mounting style	Accessories
Color	black
Dimensions	
Dimension (L x W x H)	52 mm x 79.8 mm x 54 mm
Dimension (L x W x H)	2.047 in. x 3.142 in. x 2.126 in.
Installation Height	52 mm
Installation Height	2.047 in.

#### Materials and material properties

Halogen free	yes
RoHS	compliant

#### Classifications

ETIM 5.0	EC000119
ETIM 6.0	EC000073
ETIM 7.0	EC002608
ETIM 8.0	EC002608
ETIM 9.0	EC002608

#### Packing details

Type of packaging	10 pc(s) / plastic bag
Packaging unit - Weight (gram)	438 g
Packaging unit - Weight (pound)	0.97 lb
Packaging dimension	160 mm x 100 mm x 380 mm
Packaging dimension	6.299 in. x 3.937 in. x 14.961 in.



## DIN rail mounting bracket for wall outlets - horizontal mounting 52 mm, with separation cup

P/N

1308895221-I

EAN 4250184105190

2024/02/13

Version: R

### Accessories from

P/N	Designation
130039101-I	IAE design 8(4)R UP miniature terminal block pearl white
130039111-I	IAE design 8(4)R UPk miniature terminal block pearl white
130039120-I	IAE design 8(4)R UP0 miniature terminal block
130040101-I	IAE design 2x8(4)R UP miniature terminal block pearl white
130040111-I	IAE design 2x8(4)R UPk miniature terminal block pearl white
130040112-I	IAE design 2x8(4)R UPk miniature terminal block pure white
130040120-I	IAE design 2x8(4)R UP0 miniature terminal block
130060101-I	UAE design 8(8) UP miniature terminal block pearl white
130060102-I	UAE design 8(8) UP miniature terminal block pure white
130060111-I	UAE design 8(8) UPk miniature terminal block pearl white
130060112-I	UAE design 8(8) UPk miniature terminal block pure white
130060120-I	UAE design 8(8) UP0 miniature terminal block
130061101-I	UAE design 8/8(8) UP miniature terminal block pearl white
130061102-I	UAE design 8/8(8) UP miniature terminal block pure white
130061111-I	UAE design 8/8(8) UPk miniature terminal block pearl white
130061112-I	UAE design 8/8(8) UPk miniature terminal block pure white
130061120-I	UAE design 8/8(8) UP0 miniature terminal block
130062101-I	UAE design 2x8(8) UP miniature terminal block pearl white
130062102-I	UAE design 2x8(8) UP miniature terminal block pure white
130062111-I	UAE design 2x8(8) UPk miniature terminal block pearl white
130062112-I	UAE design 2x8(8) UPk miniature terminal block pure white
130062120-I	UAE design 2x8(8) UP0 miniature terminal block
130063101-I	UAE design 8(4) UP miniature terminal block pearl white
130063102-I	UAE design 8(4) UP miniature terminal block pure white
130063111-I	UAE design 8(4) UPk miniature terminal block pearl white
130063112-I	UAE design 8(4) UPk miniature terminal block pure white
130063120-I	UAE design 8(4) UP0 miniature terminal block
130064101-I	UAE design 8/8(4) UP miniature terminal block pearl white
130064102-I	UAE design 8/8(4) UP miniature terminal block pure white
130064111-I	UAE design 8/8(4) UPk miniature terminal block pearl white
130064112-I	UAE design 8/8(4) UPk miniature terminal block pure white
130064120-I	UAE design 8/8(4) UP0 miniature terminal block

## DIN rail mounting bracket for wall outlets - horizontal mounting 52 mm, with separation cup

P/N

1308895221-I

EAN 4250184105190

2024/02/13

Version: R

### Accessories from

130065101-I	UAE design 2x8(4) UP miniature terminal block pearl white
130065102-I	UAE design 2x8(4) UP miniature terminal block pure white
130065111-I	UAE design 2x8(4) UPk miniature terminal block pearl white
130065112-I	UAE design 2x8(4) UPk miniature terminal block pure white
130065120-I	UAE design 2x8(4) UP0 miniature terminal block
1307371001-I	E-DAT C6 1 port UP pearl white
1307371002-I	E-DAT C6 1 port UP pure white
1307371101-I	E-DAT C6 1 port UPk pearl white
1307371102-I	E-DAT C6 1 port flush mounted trunking installation pure white
1307371200-I	E-DAT C6 1 port flush mounted without cover
1307381001-I	E-DAT C6 2 port UP pearl white
1307381002-I	E-DAT C6 2 port UP pure white
1307381101-I	E-DAT C6 2 port UPk pearl white
1307381102-I	E-DAT C6 2 port flush mounted trunking installation pure white
1307381200-I	E-DAT C6 2 port flush mounted without cover
1307441001-I	E-DAT design 2 port UP Cat.6, pearl white
1307441002-I	E-DAT design 2 port UP Cat.6, pure white
1307441101-I	E-DAT design 2 port UPk Cat.6, pearl white
1307441102-I	E-DAT design 2 port flush mounted trunking installation Cat.6, pure white
1307441200-I	E-DAT design 2 port flush mounted without cover Cat.6
1307444001-I	E-DAT design 2 port EK Cat.6, pearl white
1307444002-I	E-DAT design 2 port EK Cat.6, pure white
1309111001-E	E-DAT modul 1 port UP Cat.6 <sub>A</sub> , pearl white
1309111002-E	E-DAT modul 1 port UP Cat.6 <sub>A</sub> , pure white
1309111101-E	E-DAT modul 1 port UPk Cat.6 <sub>A</sub> , pearl white
1309111102-E	E-DAT modul 1 port flush mounted trunking installation Cat.6 <sub>A</sub> , pure white
1309111200-E	E-DAT modul 1 port flush mounted without cover Cat.6 <sub>A</sub>
1309121001-E	E-DAT modul 2 port UP Cat.6 <sub>A</sub> , pearl white
1309121002-E	E-DAT modul 2 port UP Cat.6 <sub>A</sub> , pure white
1309121101-E	E-DAT modul 2 port UPk Cat.6 <sub>A</sub> , pearl white
1309121102-E	E-DAT modul 2 port flush mounted trunking installation Cat.6 <sub>A</sub> , pure white

## DIN rail mounting bracket for wall outlets - horizontal mounting 52 mm, with separation cup

P/N

1308895221-I

EAN 4250184105190

2024/02/13

Version: R

### Accessories from

1309121200-E	E-DAT modul 2 port flush mounted without cover Cat.6 <sub>A</sub>
1309131001-E	E-DAT modul 3 port UP Cat.6 <sub>A</sub> , pearl white
1309131002-E	E-DAT modul 3 port UP Cat.6 <sub>A</sub> , pure white
1309131101-E	E-DAT modul 3 port UPk Cat.6 <sub>A</sub> , pearl white
1309131102-E	E-DAT modul 3 port flush mounted trunking installation Cat.6 <sub>A</sub> , pure white
1309131200-E	E-DAT modul 3 port flush mounted without cover Cat.6 <sub>A</sub>
1309141001-E	Modul wall outlet UP 1 port pearl white unequipped
1309141002-E	Modul wall outlet flush mounted 1 port unequipped pure white
1309141101-E	Modul wall outlet UPk 1 port pearl white unequipped
1309141102-E	Modul wall outlet flush mounted trunking installation 1 port unequipped pure white
1309141200-E	Modul wall outlet flush mounted without cover 3 port unequipped
1309151001-E	Modul wall outlet UP 2 port pearl white unequipped
1309151002-E	Modul wall outlet flush mounted 2 port unequipped pure white
1309151101-E	Modul wall outlet UPk 2 port pearl white unequipped
1309151102-E	Modul wall outlet flush mounted trunking installation 2 port unequipped pure white
1309151200-E	Modul wall outlet flush mounted without cover 2 port unequipped
1309160001-E	Modul wall outlet AP 3 port pearl white unequipped
1309160002-E	Modul wall outlet surface mounted 3 port unequipped pure white
1309161001-E	Modul wall outlet UP 3 port pearl white unequipped
1309161002-E	Modul wall outlet flush mounted 3 port unequipped pure white
1309161101-E	Modul wall outlet UPk 3 port pearl white unequipped
1309161102-E	Modul wall outlet flush mounted trunking installation 3 port unequipped pure white
130B11D11002-E	C6 <sub>A</sub> modul 1 port 180°M UP pure white
130B11D11102-E	C6 <sub>A</sub> modul 1 port 180°M flush mounted trunking installation pure white
130B11D11200-E	C6 <sub>A</sub> modul 1 port 180°M flush mounted without cover
130B11D21002-E	C6 <sub>A</sub> modul 2 port 180°M UP pure white
130B11D21102-E	C6 <sub>A</sub> modul 2 port 180°M flush mounted trunking installation pure white

# P | Cabling

Data sheet

Page 6/8

## DIN rail mounting bracket for wall outlets - horizontal mounting 52 mm, with separation cup

P/N

1308895221-I

EAN 4250184105190

2024/02/13

Version: R

### Accessories from

130B11D21200-E	C6 <sub>A</sub> modul 2 port 180°M flush mounted without cover
130B11D31002-E	C6 <sub>A</sub> modul 3 port 180°M UP pure white
130B11D31102-E	C6 <sub>A</sub> modul 3 port 180°M flush mounted trunking installation pure white
130B11D31200-E	C6 <sub>A</sub> modul 3 port 180°M flush mounted without cover
130B12D11002-E	C6 <sub>A</sub> modul 1 port 270°M UP pure white
130B12D11102-E	C6 <sub>A</sub> modul 1 port 270°M flush mounted trunking installation pure white
130B12D11200-E	C6 <sub>A</sub> modul 1 port 270°M flush mounted without cover
130B12D21002-E	C6 <sub>A</sub> modul 2 port 270°M UP pure white
130B12D21102-E	C6 <sub>A</sub> modul 2 port 270°M flush mounted trunking installation pure white
130B12D21200-E	C6 <sub>A</sub> modul 2 port 270°M flush mounted without cover
130B12D31002-E	C6 <sub>A</sub> modul 3 port 270°M UP pure white
130B12D31102-E	C6 <sub>A</sub> modul 3 port 270°M flush mounted trunking installation pure white
130B12D31200-E	C6 <sub>A</sub> modul 3 port 270°M flush mounted without cover
130B20D11002KE	Keystone wall outlet flush mounted 1 port unequipped pure white
130B20D11102KE	Keystone wall outlet flush mounted trunking installation 1 port unequipped pure white
130B20D11200KE	Keystone wall outlet flush mounted without cover 1 port unequipped
130B20D21002KE	Keystone wall outlet flush mounted 2 port unequipped pure white
130B20D21102KE	Keystone wall outlet flush mounted trunking installation 2 port unequipped pure white
130B20D21200KE	Keystone wall outlet flush mounted without cover 2 port unequipped
130B20D31002KE	Keystone wall outlet flush mounted 3 port unequipped pure white
130B20D31102KE	Keystone wall outlet flush mounted trunking installation 3 port unequipped pure white
130B20D31200KE	Keystone wall outlet flush mounted without cover 3 port unequipped
130C371001-I	E-DAT C6 <sub>A</sub> 1 port UP pearl white
130C371002-I	E-DAT C6 <sub>A</sub> 1 port UP pure white
130C371101-I	E-DAT C6 <sub>A</sub> 1 port UPk pearl white
130C371102-I	E-DAT C6 <sub>A</sub> 1 port flush mounted trunking installation pure white

# P | Cabling

Data sheet

Page 7/8

## DIN rail mounting bracket for wall outlets - horizontal mounting 52 mm, with separation cup

P/N

1308895221-I

EAN 4250184105190

2024/02/13

Version: R

### Accessories from

130C371200-I	E-DAT C6 <sub>A</sub> 1 port flush mounted without cover
130C381001-I	E-DAT C6 <sub>A</sub> 2 port UP pearl white
130C381002-I	E-DAT C6 <sub>A</sub> 2 port UP pure white
130C381101-I	E-DAT C6 <sub>A</sub> 2 port UPk pearl white
130C381102-I	E-DAT C6 <sub>A</sub> 2 Port flush mounted trunking installation pure white
130C381200-I	E-DAT C6 <sub>A</sub> 2 port flush mounted without cover
1501200002-E	OpDAT 2 EK unequipped duplex pure white
1501204102-E	OpDAT 2 EK ST-D MM (Ph-Br) pure white
1501207102-E	OpDAT 2 EK LC-Q UPC OS2
1501207202-E	OpDAT 4 Ek LC-Q MM (ceramic) pure white
1501207802-E	OpDAT 2 EK LC-Q OM3
1501207902-E	OpDAT 2 EK LC-Q OM4
1501207A02-E	OpDAT 2 EK LC-Q APC OS2
150120BA02-E	OpDAT 2 EK SC-D OM3
150120BB02-E	OpDAT 2 EK SC-D OM4
150120C202-E	OpDAT 2 EK SC-D MM
150120D102-E	OpDAT 2 EK ST-D
150120E202-E	OpDAT 2 EK SC-D UPC OS2
150120F202-E	OpDAT 2 EK SC-D APC OS2

# P | Cabling

Data sheet

Page 8/8

## DIN rail mounting bracket for wall outlets - horizontal mounting 52 mm, with separation cup

P/N

1308895221-I

EAN 4250184105190

2024/02/13

Version: R

### Illustrations

Dimensional drawing

