

Data sheet
Mounting bracket HWR

Page 1/5

P/N
110146

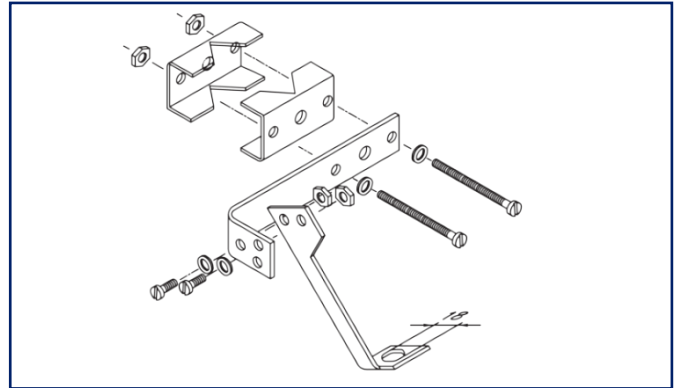
EAN 4250184120278

2024/10/24

Version: E

Illustrations

Principle diagram



See enlarged drawings at the end of document

Product specification

To fasten sensors with max. diameters of 18 mm. For universal mounting. An auxiliary cam for shafts with diameters of up to 25 - 40 mm is included in the delivery.

- Not intended for marketing in North America



Mounting bracket HWR

P/N

110146

EAN 4250184120278

2024/10/24

Version: E

Technical Data**Material**

Color silver

Climatic Data

Operating

Relative humidity max. 85 % non-condensing

Classifications

ETIM 7.0 EC002622

ETIM 8.0 EC002622

ETIM 9.0 EC002622

Application note

This product is a standard product of METZ CONNECT. METZ CONNECT is not aware of the specific intended use of the goods by the Customer or any customers of the Customer. The Customer guarantees that it has fully and sufficiently tested the use of the goods and any product modifications, product changes or product enhancements with regard to the specific intended use in accordance with the state of the art or in any other way. At METZ CONNECT's request, the Customer shall submit and make available meaningful evidence (e.g. test and laboratory protocols, certifications, etc.).

C | Logline

Data sheet

Mounting bracket HWR

Page 3/5

P/N

110146

EAN 4250184120278

2024/10/24

Version: E

Accessories

P/N	Designation
895604	Auxiliary cam for shafts up to 80 mm

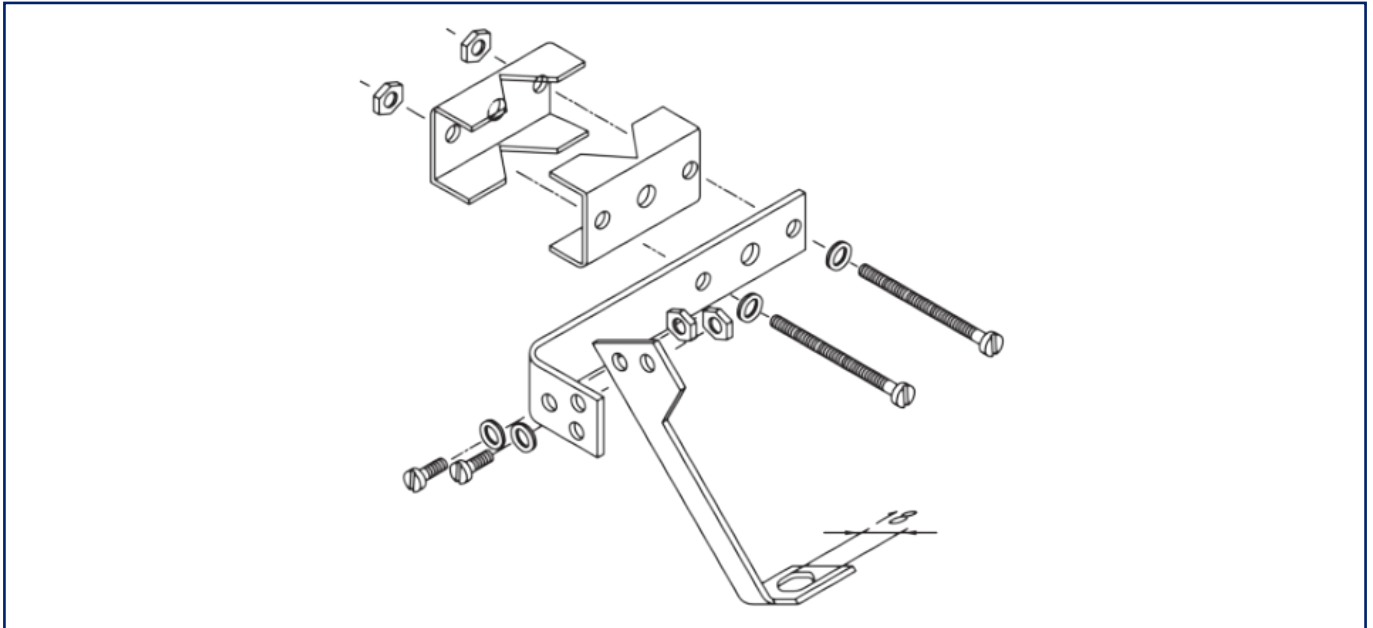


Accessories from

P/N	Designation
1101500522	DRIW-E16, 230 V AC
1101501322	DRIW-E16, 24 V AC/DC

Illustrations

Principle diagram



© 2024 METZ CONNECT - Technische Änderungen vorbehalten! Subject to modifications! Sous réserve de modifications techniques!

